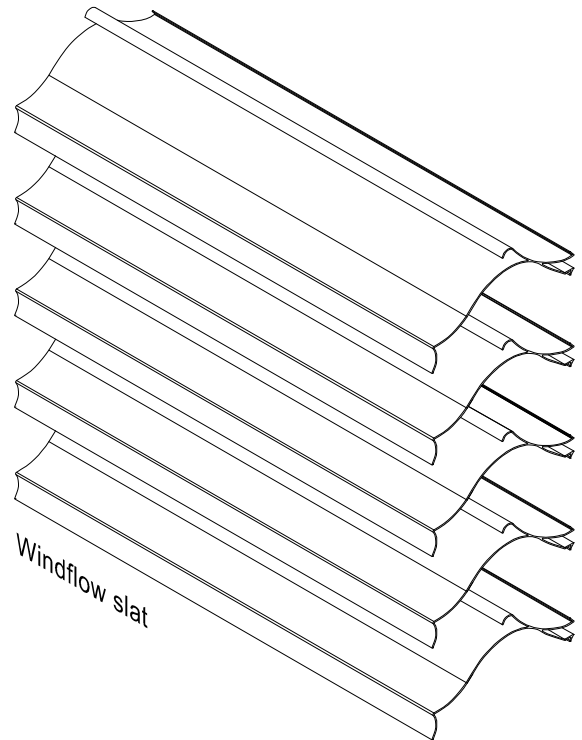
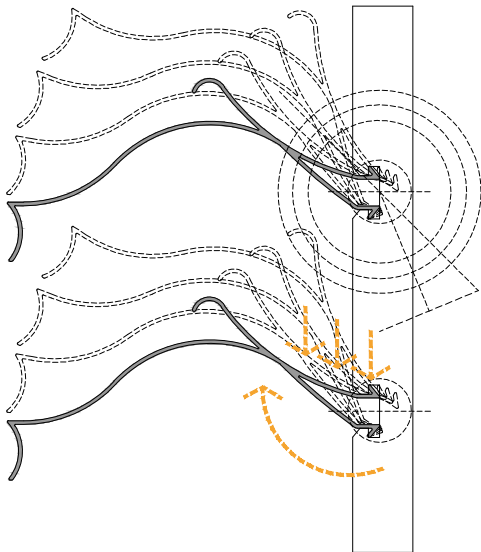


WINDFLOW

SNAP-ON SYSTEM

Page 01-07



Technical department Simpleyfácil®
Specification workshop

Project:
Location:
Authorization:

Revision:
Revision:

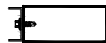
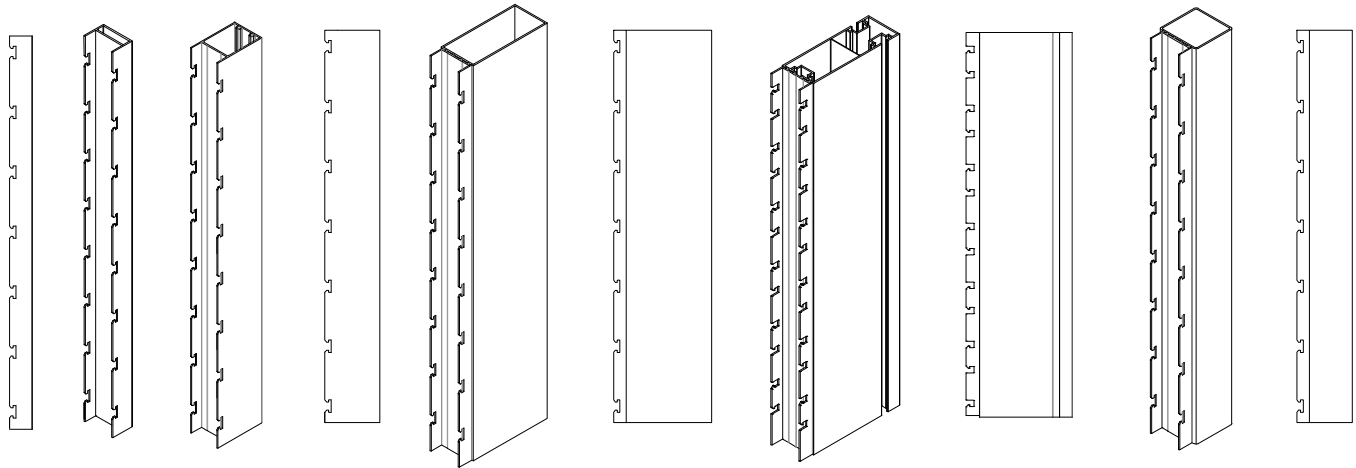
Date: September 2020
Dimensions: mm. (in.)

 **simple**
architectural®
by simpleyfácil

WINDFLOW

SELECTION OF SUPPORTS ACCORDING TO THE SEPARATION BETWEEN ANCHORS

Page 02-07



Option **A**
Die cut D1-D3

Option **B**
Die cut D1-D3

Option **C**
Die cut D1-D3

Option **D**
Die cut D1-D3

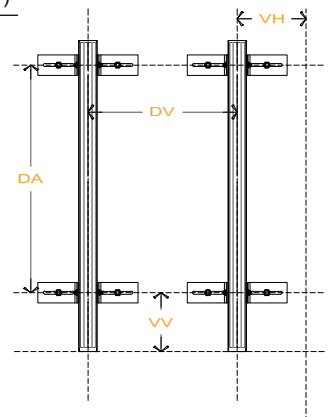
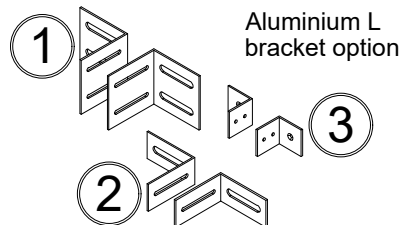
Option **E**
Die cut D1-D3

Distances for installation of structural supports

Nm Structural support options Maximum distance (DA) Maximum distance (DV)

A	Basic RM profile, wall covering	1300 mm. (51.18 in.)	1300 mm. (39.37 in.)
B	(T) support with die cut area 65X40 (2.55x1.57 in.)	2200 mm. (86.61 in.)	1300 mm.
C	Basic support with adapter profile 100X44 (3.93x1.73 in.)	3300 mm. (129.92 in.)	1300 mm.
D	Basic facade support with adapter profile 110X40 (4.33x1.57 in.)	4000 mm. (157.48 in.)	1300mm.
E	Adapter profile anchored to construction site	>3300 mm.	1300 mm.

- 1 Aluminium L bracket 4 x 4 x 1/4"
- 2 Aluminium L bracket 2 X 4 x 1/4"
- 3 Aluminium L bracket 2 X 2 x 1/4"



Nm Structural support options

- DA Maximum distance between anchors of brackets
- DV Maximum distance between structural supports
- VV Maximum vertical cantilever (support) 500 mm. (19.65 in.)
- VH Maximum horizontal cantilever (slat) 200 mm. (7.87in.)

Technical department Simpleyfacil®
Specification workshop

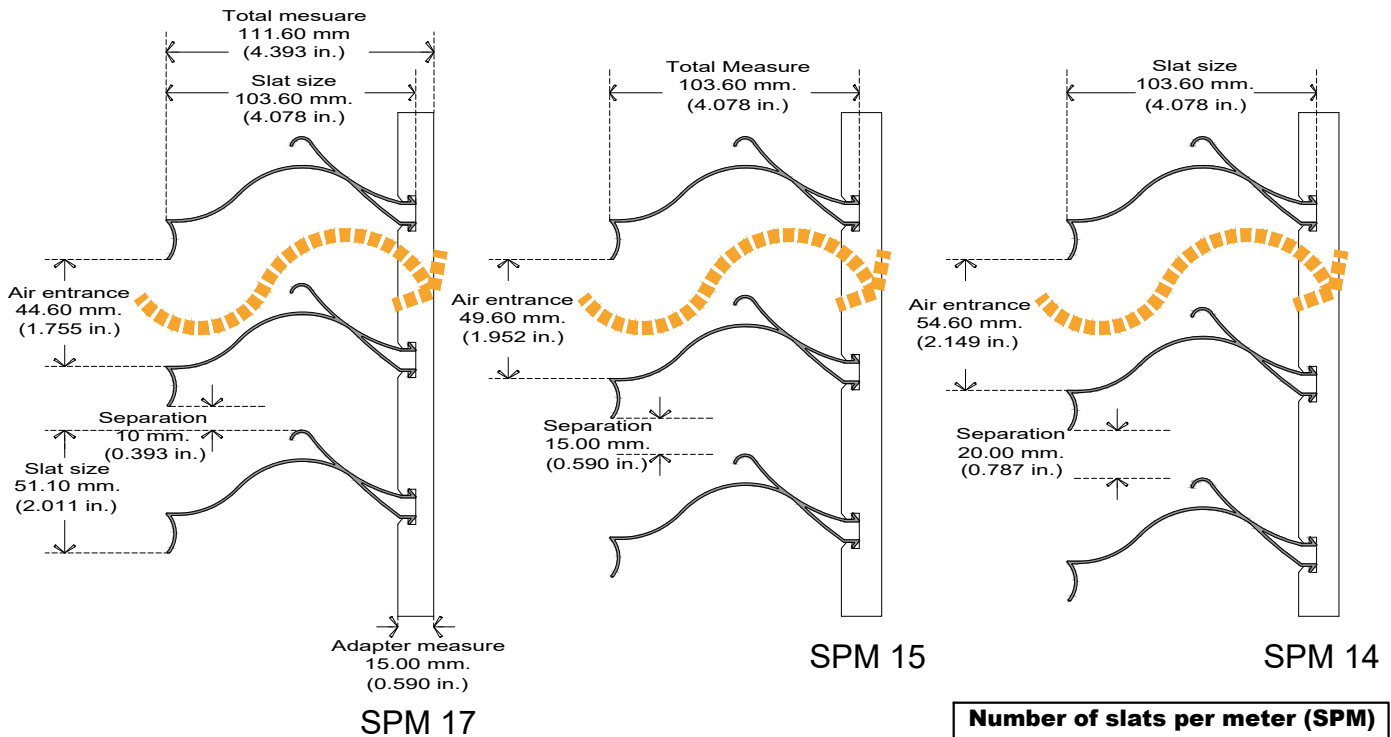
Revision:
Revision:

Project:
Location:
Authorization:

Date: September 2020
Dimensions: mm. (in.)

WINDFLOW

SPECIFICATION PARAMETERS AND TEST



Number of slats per meter (SPM)

17.00 15.00 14.00

Clearance between slats	10.00 mm. (0.393 in.)	15.00 mm. (0.590 in.)	20.00 mm. (0.787 in.)
Free area (%)	71.36%	69.44%	70.98%
Wind load resistance	>249 k/h (5455 Pa)		Category 5
Water infiltration (%)	0.75%	N.T	N.T
Air pressure drop (K value)	47.47	N.T	N.T
Thermal resistance (R value) M2°C/W	N.T	N.T	N.T
Thermal transmittance (U value) W/m2°C	N.T	N.T	N.T
Emittance according to ASTM C 1371 / Clear anodized an raw aluminium		0.645	
Reflectance according to ASTM C 1549 / Clear anodized and raw aluminium		0.759	
Accelerated aging to ASTM G151 / Clear anodized an raw aluminium		0.000	

Extruded aluminium alloy 6063, tempering T5, post-consumption content 51.60%, pre-consumption content 13.70% Snap-on anchored slats to vertical supports, without screws to avoid risk of oxidation

*N.T: Test not performed



The results of the tests or calculations contemplated in this technical sheet, have the recognition of the Valor AMEVEC program, endorsed by the Asociación Mexicana de Ventanas y Cerramientos A.C. You can scan the QR code to verify its integrity and validity.

Technical department Simpleyfacil®
 Specification workshop

Revision:
 Revision:

Project:
 Location:
 Authorization:

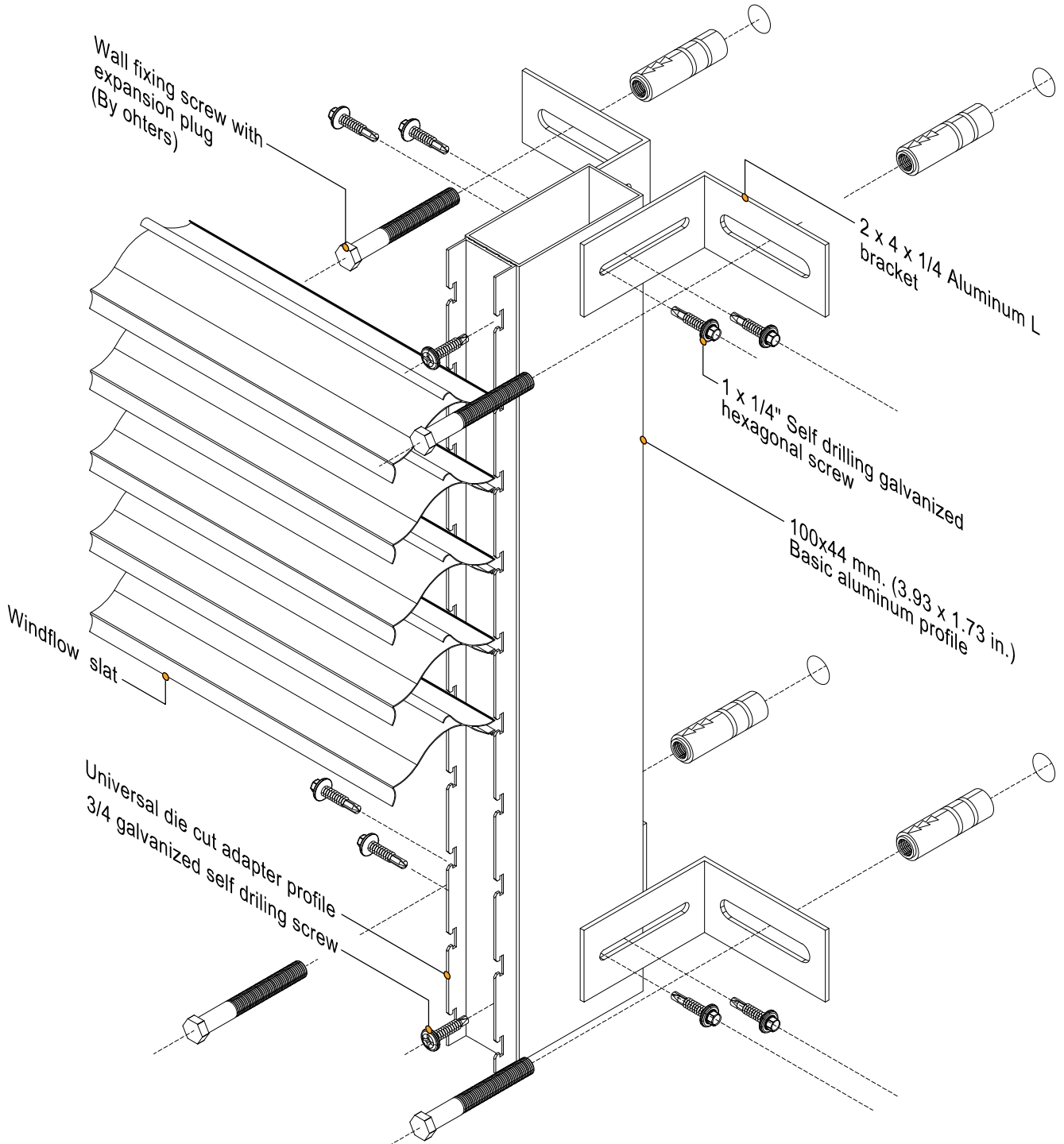
Date: September 2020
 Dimensions: mm. (in.)



WINDFLOW

ANCHORING TO SLABS WITH STRUCTURAL SUPPORT 100 X 44 mm. (3.93X1.73 in.)

Page 04-07



Technical department Simpleyfácil®
Specification workshop

Project:
Location:
Authorization:

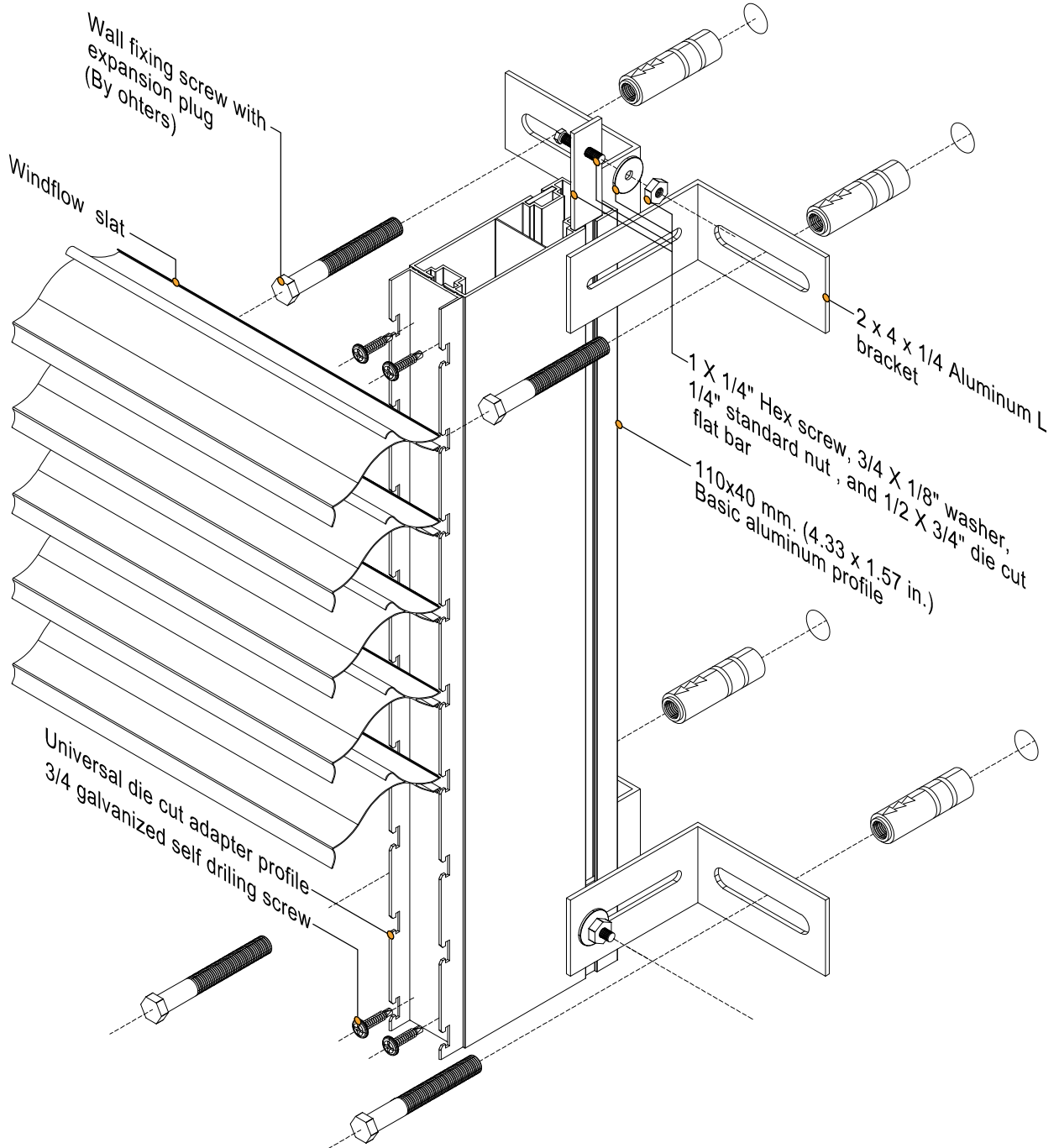
Revision:
Revision:
Date: September 2020
Dimensions: mm. (in.)



WINDFLOW

ACHORING TO SLABS WITH STRUCTURAL SUPPORT 110 X 40 mm. (4.33X1.57 in.)

Page 05-07



Technical department Simpleyfacil®
Specification workshop

Project:
Location:
Authorization:

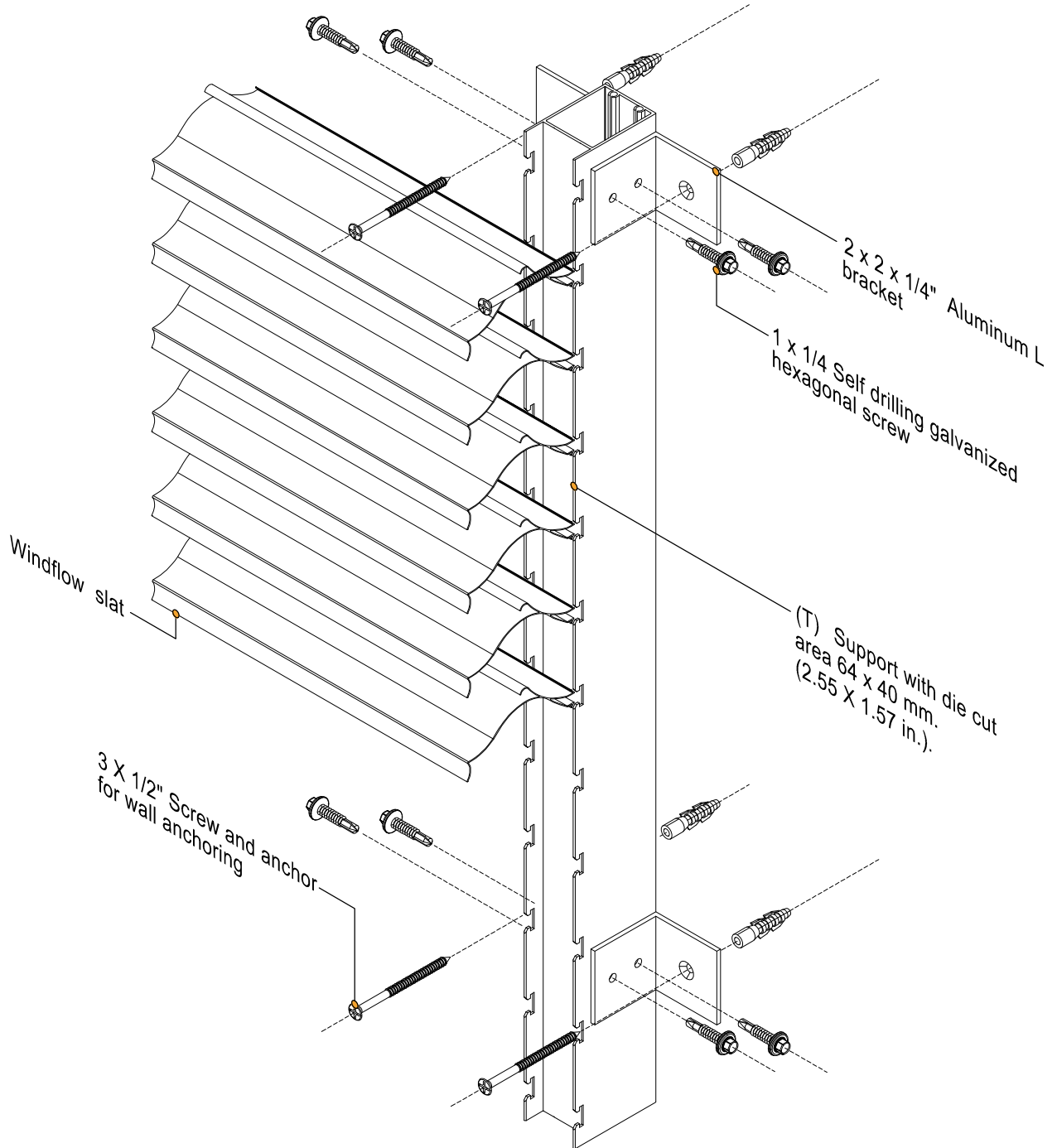
Revision:
Revision:
Date: September 2020
Dimensions: mm. (in.)



WINDFLOW

ANCHORAGE TO SUB STRUCTURE WITH STRUCTURAL SUPPORT
(T) 65 X 40 mm. (2.55 X 1.57 in.)

Page 06-07



Technical department Simpleyfacil®
Specification workshop

Project:
Location:
Authorization:

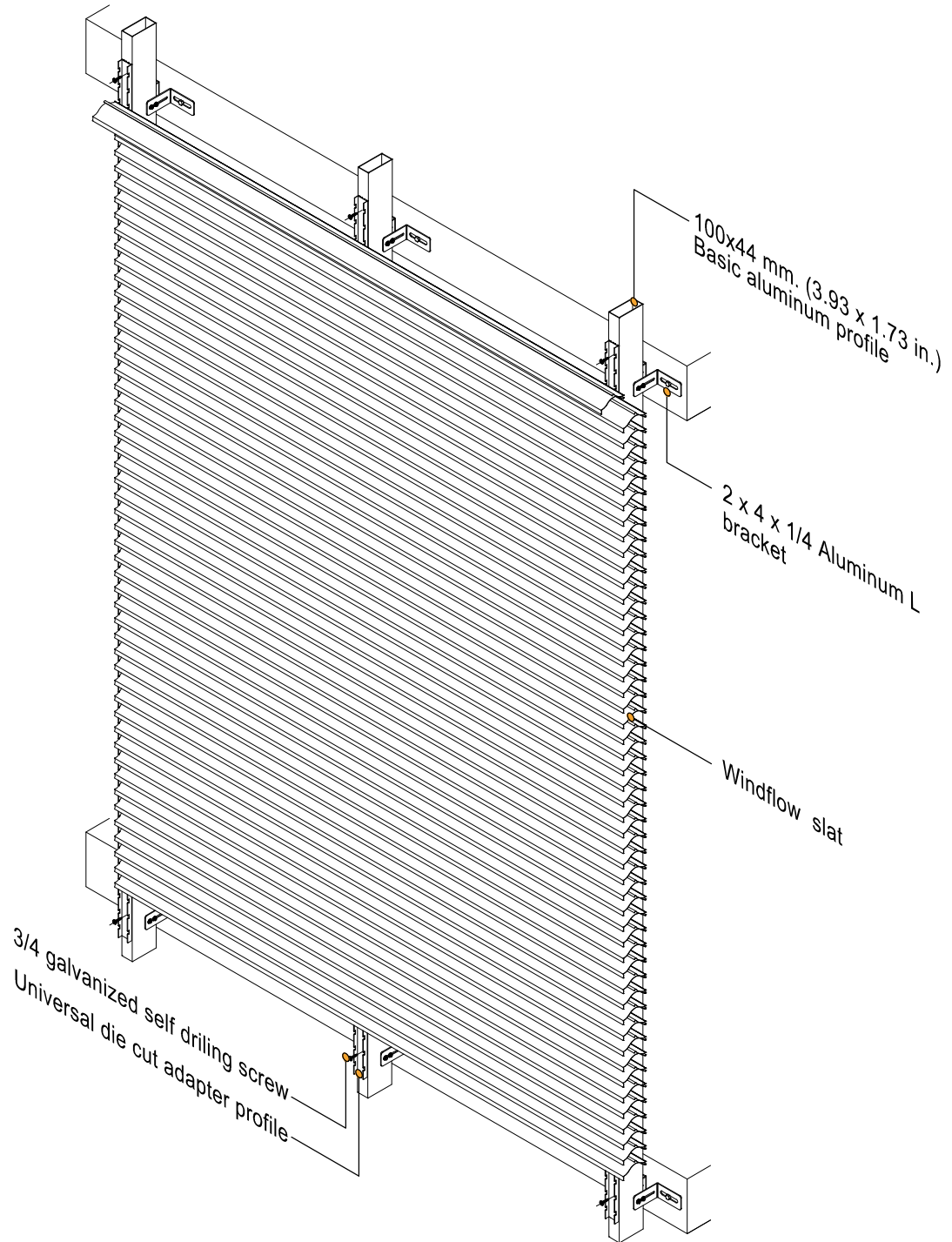
Revision:
Revision:
Date: September 2020
Dimensions: mm. (in.)

 **simple**
architectural
by simpleyfacil

WINDFLOW

DYNAMIC VENTILATED FACADE PROPOSAL

Page 07-07



Technical department Simpleyfacil®
Specification workshop

Project:
Location:
Authorization:

Revision:
Revision:
Date: September 2020
Dimensions: mm. (in.)

