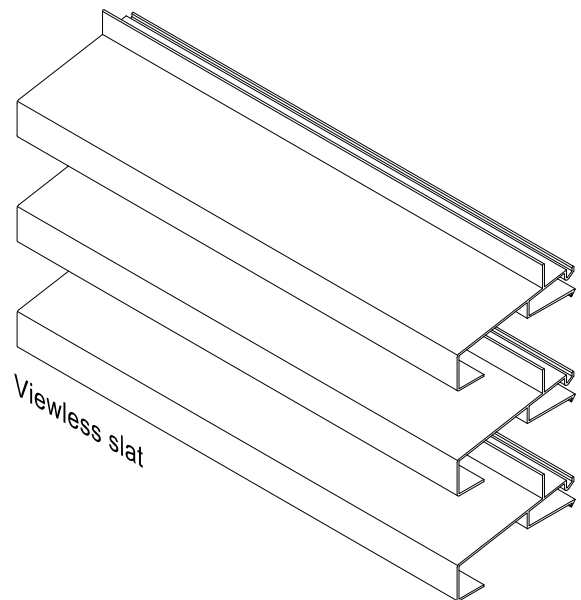
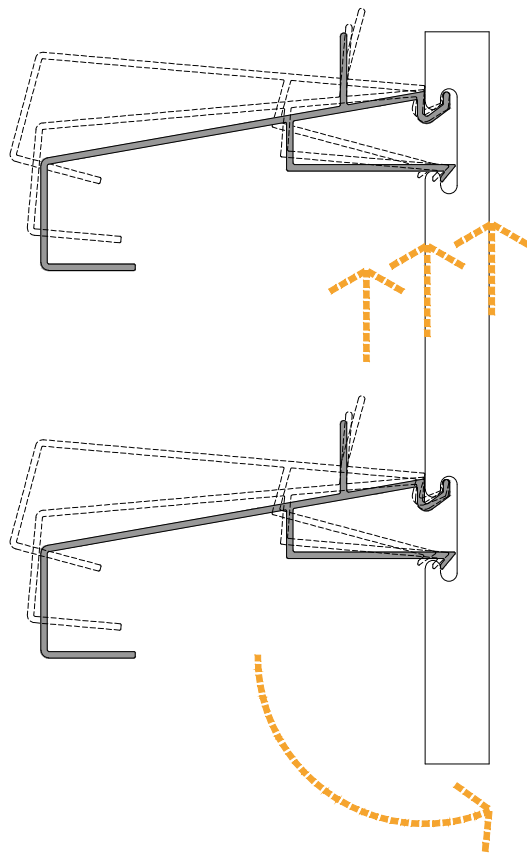


VIEWLESS

SNAP-ON SYSTEM

Page 01-07



Technical department Simpleyfácil®
Specification workshop

Project:
Location:
Authorization:

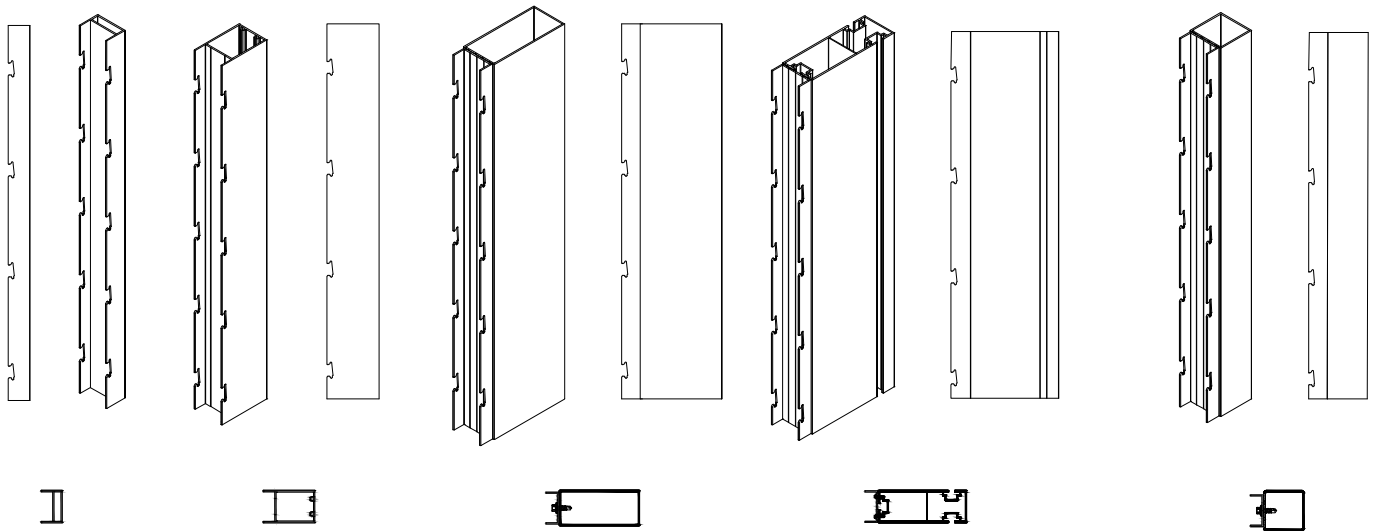
Revision:
Revision:
Date: September 2020
Dimensions: mm. (in.)

 **simple**
architectural®
by simpleyfácil

VIEWLESS

SELECTION OF SUPPORTS ACCORDING TO THE SEPARATION BETWEEN ANCHORS

Page 02-07



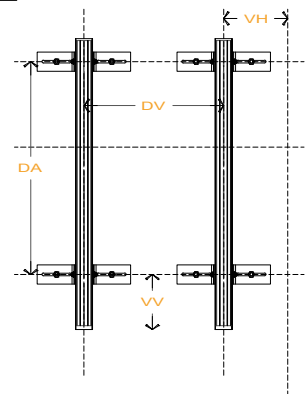
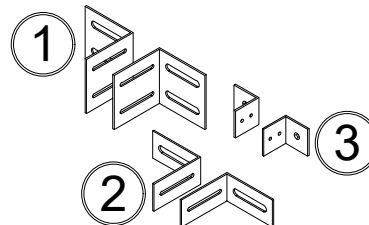
Option **A** Die cut E2 Option **B** Die cut E2 Option **C** Die cut E2 Option **D** Die cut E2 Option **E** Die cut E2

Distances for installation of structural supports

Nm	Structural support options	Maximum distance (DA)	Maximum distance (DV)
A	Basic RM profile, wall covering	1300 mm. (51.18 in.)	1000 mm. (39.37 in.)
B	(T) support with die cut area 65X40 (2.55x1.57 in.)	2200 mm. (86.61 in.)	1000 mm.
C	Basic support with adapter profile 100X44 (3.93x1.73 in.)	3300 mm. (129.92 in.)	1000 mm.
D	Basic facade support with adapter profile 110X40 (4.33x1.57 in.)	4000 mm. (157.48 in.)	1000mm.
E	Adapter profile anchored to construction site	>4000 mm.	1000 mm.

- 1 Aluminium L bracket 4 x 4 x 1/4"
- 2 Aluminium L bracket 2 X 4 x 1/4"
- 3 Aluminium L bracket 2 X 2 x 1/4"

- Nm Structural support options
- DA Maximum distance between anchors of brackets
- DV Maximum distance between structural supports
- VV Maximum vertical cantilever (support) 500 mm. (19.65 in.)
- VH Maximum horizontal cantilever (slat) 200 mm. (7.87in.)



Technical department Simpleyfacil®
Specification workshop

Revision:
Revision:

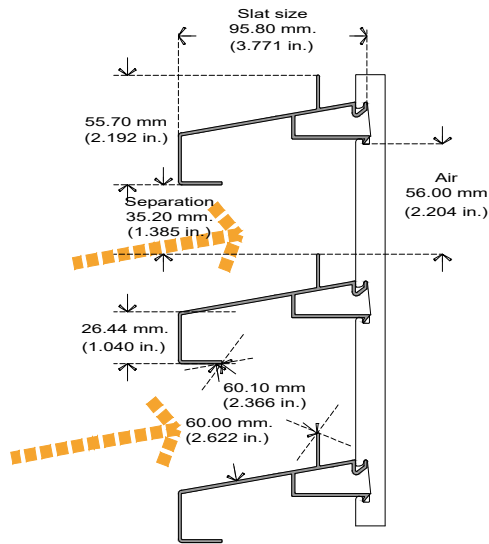
Project:
Location:
Authorization:

Date: September 2020
Dimensions: mm. (in.)

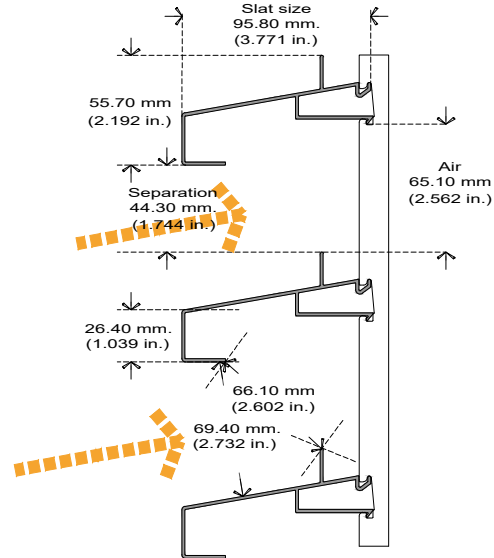


VIEWLESS

SPECIFICATION PARAMETERS AND TEST



SPM 11



SPM 10

Number of slats per meter (SPM)

	11	10
Clearance between slats	35.20 mm. (1.385 in.)	44.30 mm. (1.744 in.)
Free area (%)	55.95%	58.54%
Wind load resistance	>249 k/h (5200 Pa)	Category 5
Water infiltration (%)	4.35%	N.T
Air pressure drop (K value)	2.00	N.T
Thermal resistance (R value) M2°C/W		0.16
Thermal transmittance (U value) W/m2°C		6.26
Emittance according to ASTM C 1371 / Clear anodized an raw aluminium		0.645
Reflectance according to ASTM C 1549 / Clear anodized and raw aluminium		0.759
Accelerated aging to ASTM G151 / Clear anodized an raw aluminium		N.T

Extruded aluminium alloy 6063, tempering T5, post-consumption content 51.60%, pre-consumption content 13.70% Snap-on anchored slats to vertical supports, without screws to avoid risk of oxidation

*N.T: Test not performed



The results of the tests or calculations contemplated in this technical sheet, have the recognition of the Valor Aমেবেক program, endorsed by the Asociación Mexicana de Ventanas y Cerramientos A.C. You can scan the QR code to verify its integrity and validity.

Technical department Simpleyfacil®
Specification workshop

Revision:
Revision:

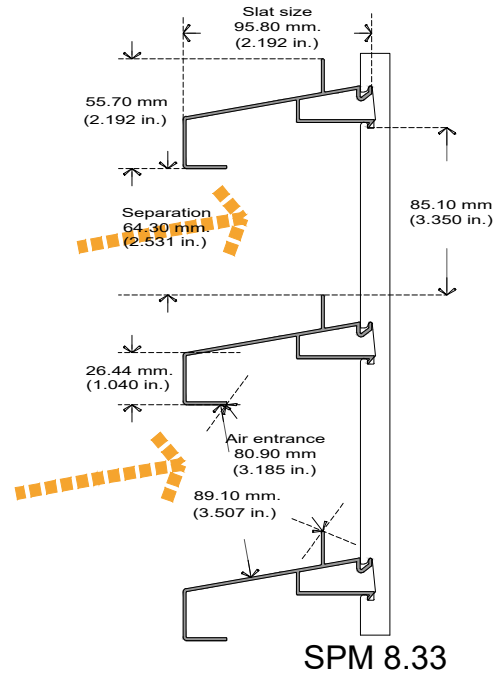
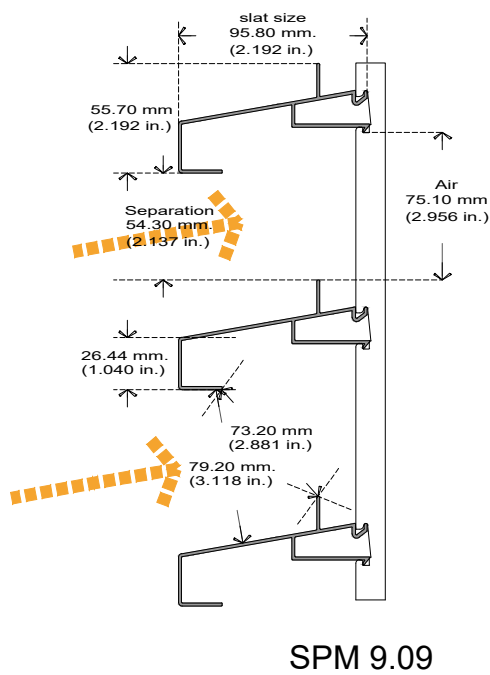
Project:
Location:
Authorization:

Date: September 2020
Dimensions: mm. (in.)



VIEWLESS

SPECIFICATION PARAMETERS AND TEST



Number of slats per meter (SPM)

	9.09	8.33
Clearance between slats	54.30 mm. (2.137 in.)	64.30 mm. (2.531 in.)
Free area (%)	59.06%	59.19%
Wind load resistance	>249 k/h (5200 Pa)	Category 5
Water infiltration (%)	N.T	N.T
Air pressure drop (K value)	N.T	N.T
Thermal resistance (R value) M2°C/W		0.16
Thermal transmittance (U value) W/m2°C		6.26
Emittance according to ASTM C 1371 / Clear anodized an raw aluminium		0.645
Reflectance according to ASTM C 1549 / Clear anodized and raw aluminium		0.759
Accelerated aging to ASTM G151 / Clear anodized an raw aluminium		N.T

Extruded aluminium alloy 6063, tempering T5, post-consumption content 51.60%, pre-consumption content 13.70% Snap-on anchored slats to vertical supports, without screws to avoid risk of oxidation

*N.T: Test not performed

Technical department Simpleyfacil®
Specification workshop

Revision:
Revision:

Project:
Location:
Authorization:

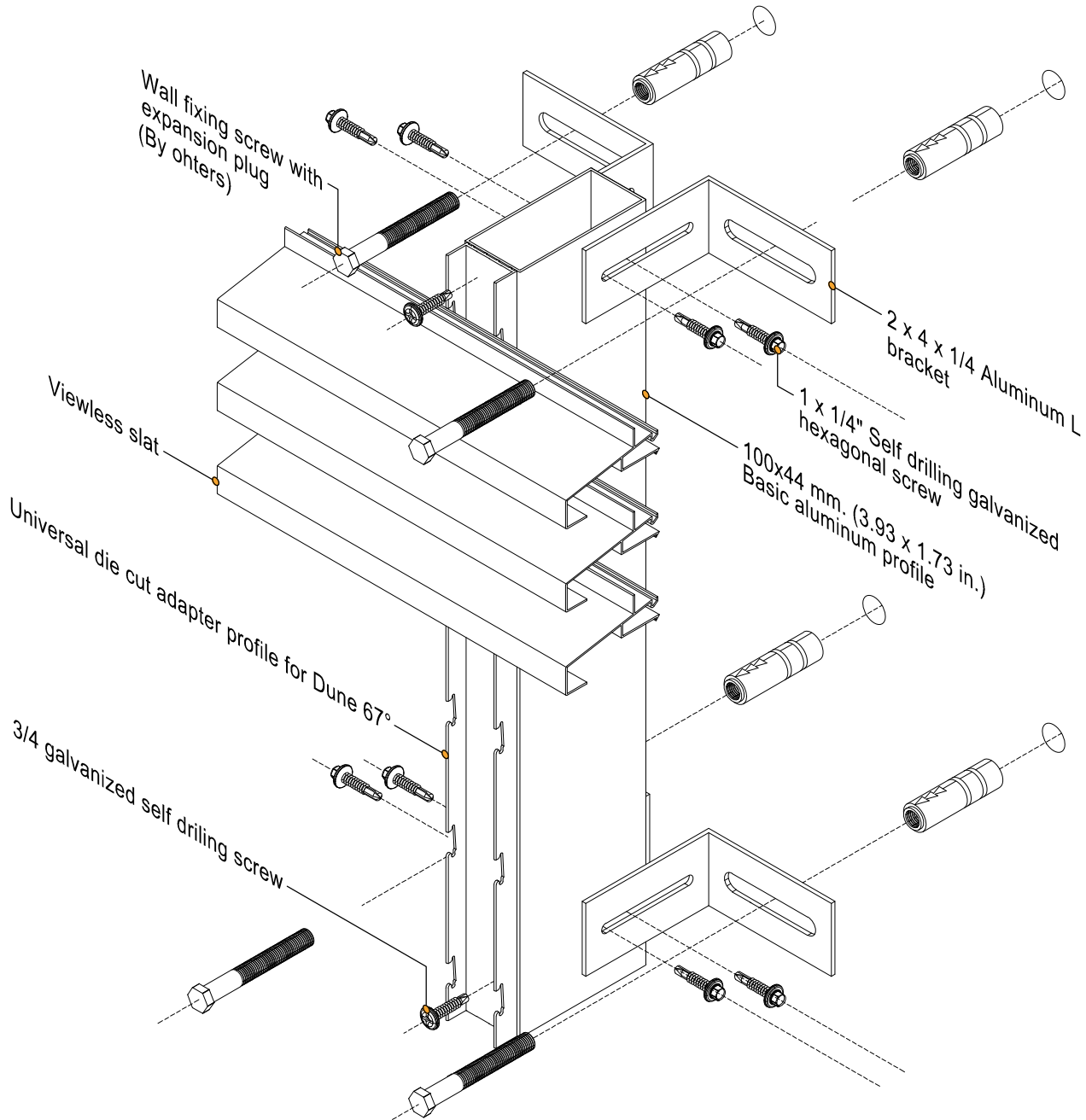
Date: September 2020
Dimensions: mm. (in.)



VIEWLESS

ANCHORING TO SLABS WITH STRUCTURAL SUPPORT 100 X 44 mm. (3.93X1.73 in.)

Page 05-07



Technical department Simpleyfacil®
Specification workshop

Project:
Location:
Authorization:

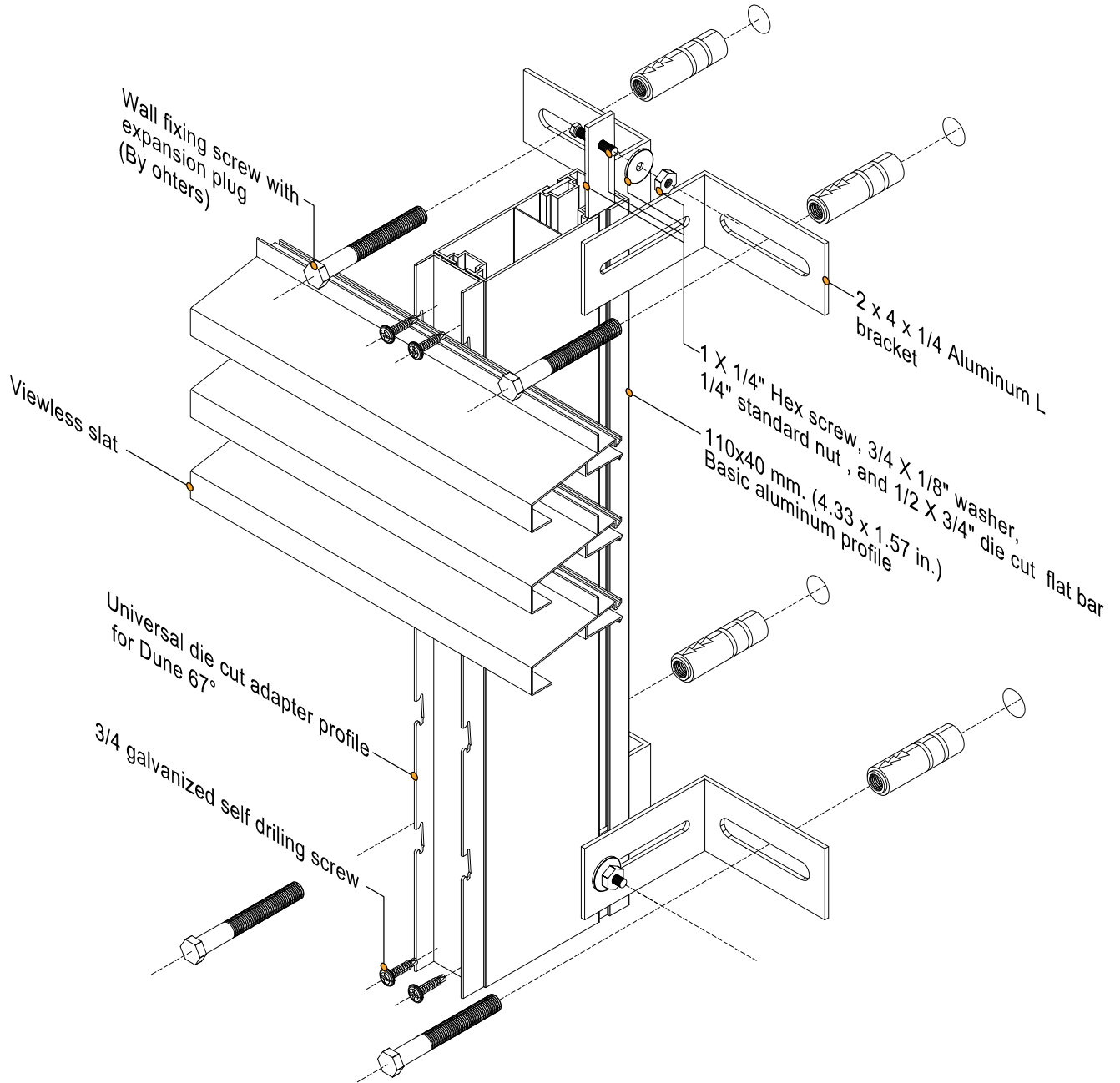
Revision:
Revision:
Date: September 2020
Dimensions: mm. (in.)



VIEWLESS

ACHORING TO SLABS WITH STRUCTURAL SUPPORT 110 X 40 mm. (4.33X1.57 in.)

Page 06-07



Technical department Simpleyfacil®
Specification workshop

Project:
Location:
Authorization:

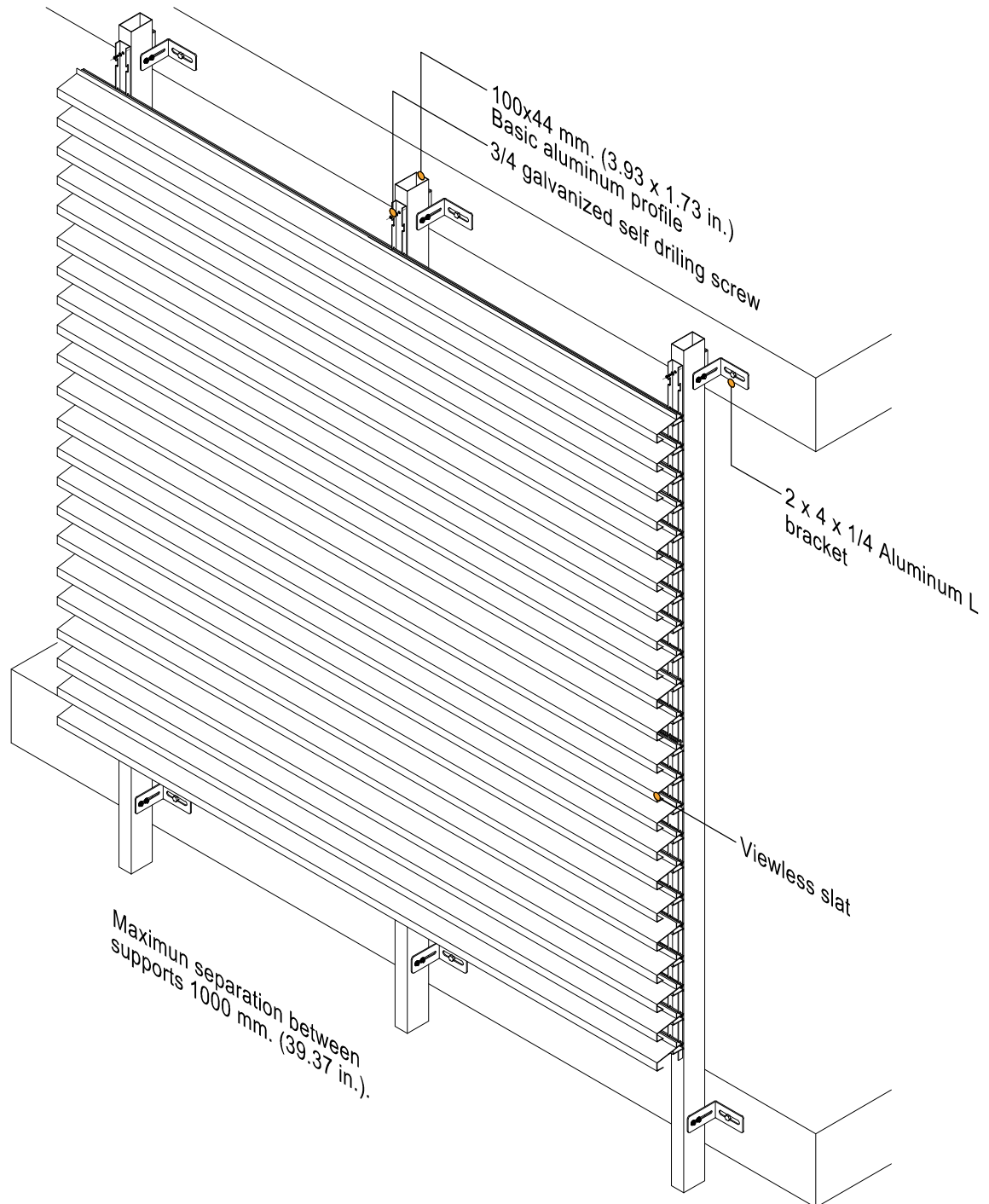
Revision:
Revision:
Date: September 2020
Dimensions: mm. (in.)



VIEWLESS

DYNAMIC VENTILATED FACADE PROPOSAL

Page 07-07



Technical department Simpleyfacil®
Specification workshop

Project:
Location:
Authorization:

Revision:
Revision:
Date: September 2020
Dimensions: mm. (in.)

