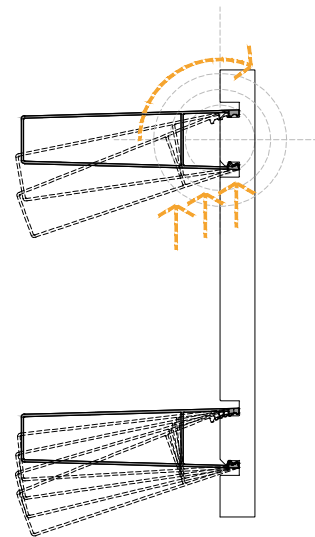
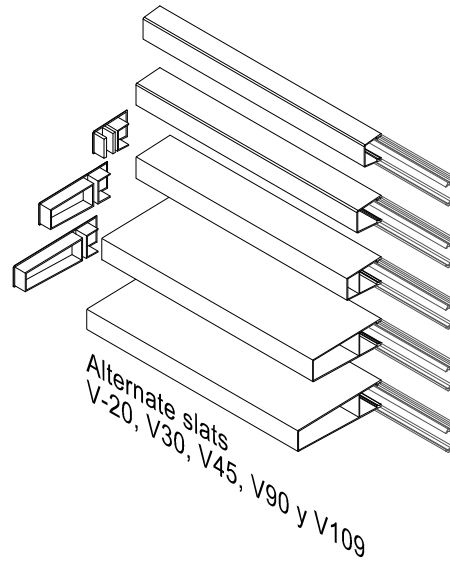
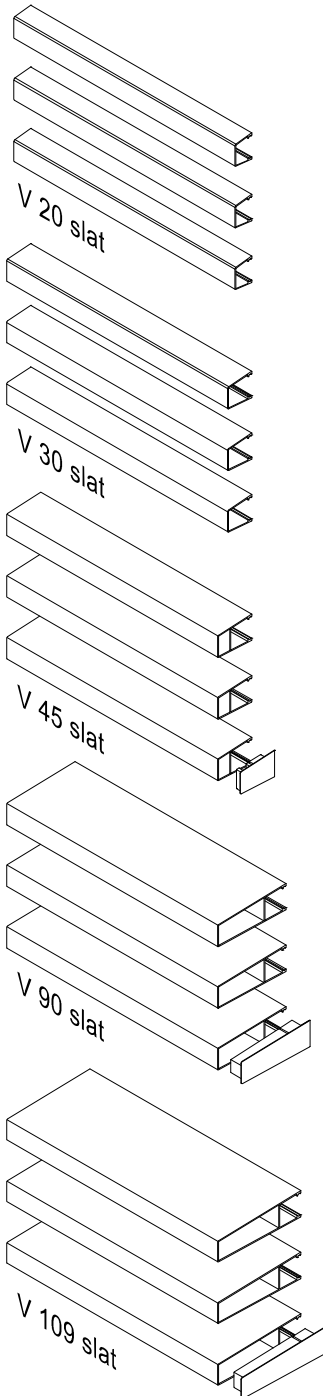


# V SERIES

## SLAT INSTALLATION OPTIONS AND COMBINATIONS

Page 01-24



Technical department Simpleyfacil®  
Specification workshop

Project:  
Location:  
Authorization:

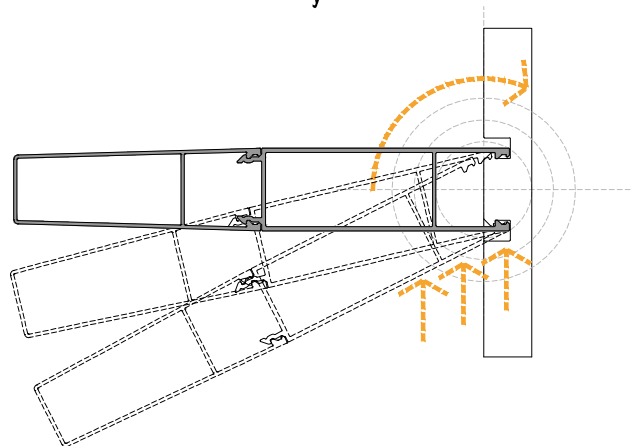
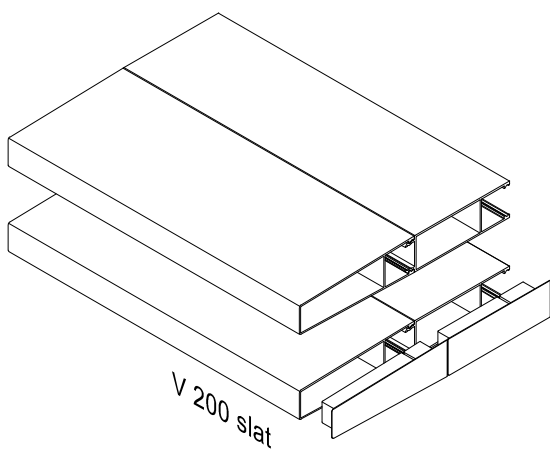
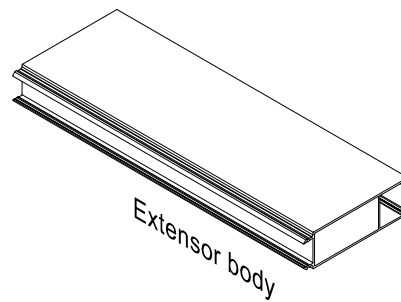
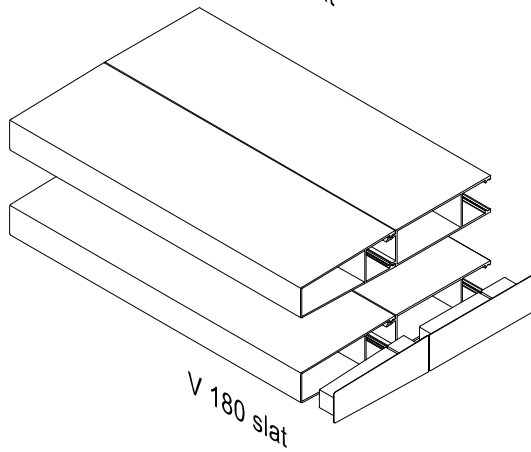
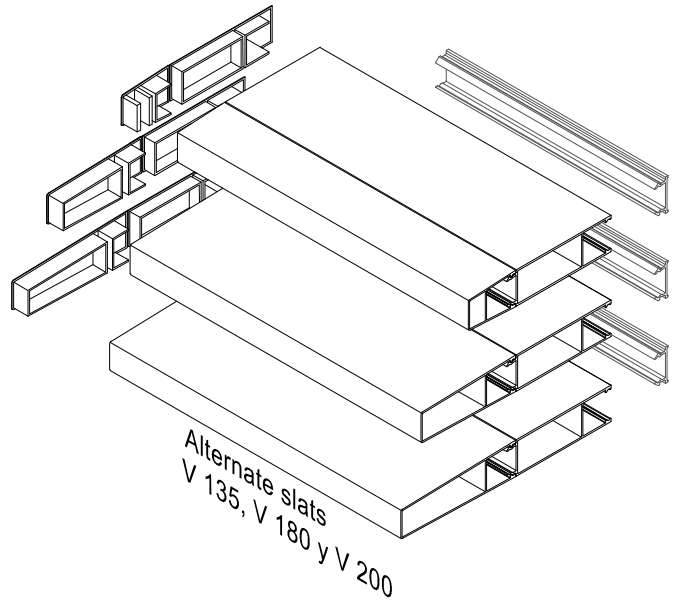
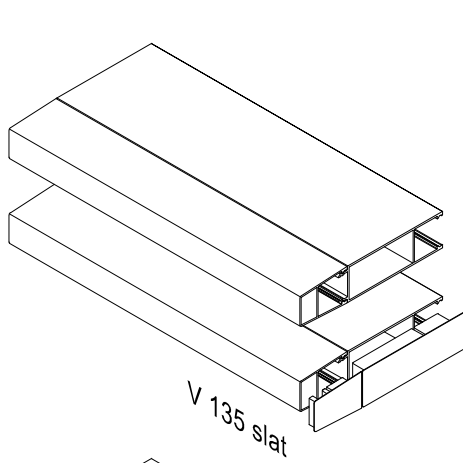
Revision:  
Revision:  
Date: December 2021  
Dimensions: mm. (in.)



# V SERIES

SLAT INSTALLATION OPTIONS AND COMBINATIONS (EXTENSOR BODY)

Page 02-18



Technical department Simpleyfacil®  
Specification workshop

Revision:  
Revision:

Project:  
Location:  
Authorization:

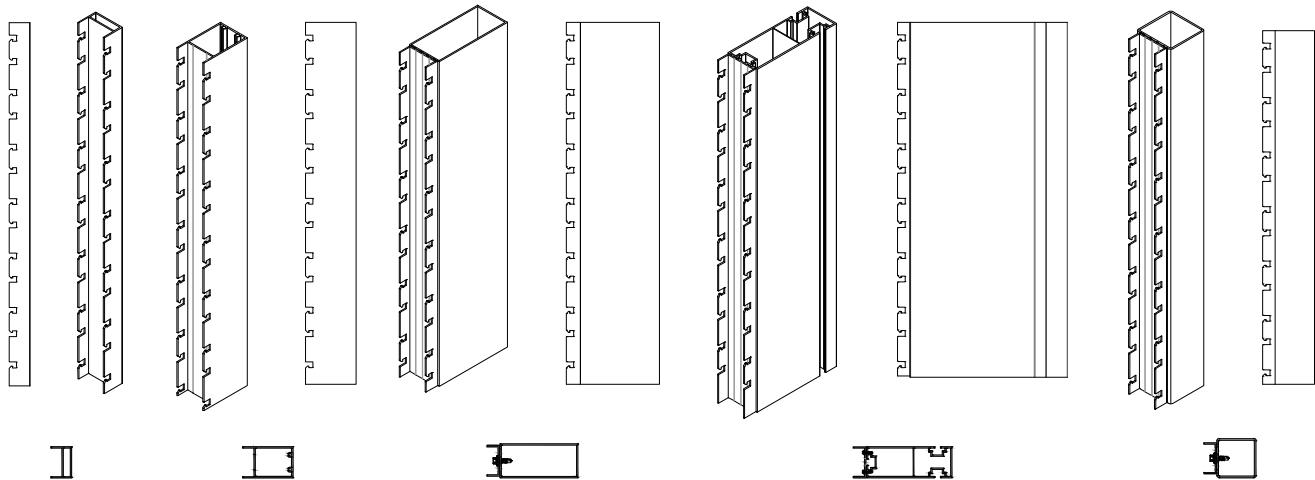
Date: September 2020  
Dimensions: mm. (in.)



# V SERIES

SELECTION OF SUPPORTS ACCORDING TO THE SEPARATION BETWEEN ANCHORS

Page 03-24



Option **(A)**  
Die cut V1-V6

Option **(B)**  
Die cut V1-V6

Option **(C)**  
Die cut V1-V6

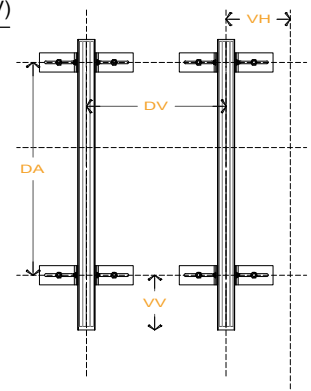
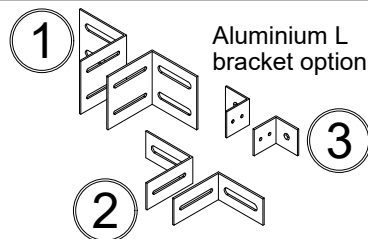
Option **(D)**  
Die cut V1-V6

Option **(E)**  
Die cut V1-V6

## Distances for installation of structural supports

Nm	Structural support options	Maximum distance (DA)	Maximum distance (DV)
A	Basic RM profile, wall covering	1300 mm. (51.18 in.)	2000 mm. (78.740 in.)
B	(T) support with die cut area 65X40 (2.55x1.57 in.)	2200 mm. (86.61 in.)	2000 mm.
C	Basic support with adapter profile 100X44 (3.93x1.73 in.)	3300 mm. (129.92 in.)	2000 mm.
D	Basic facade support with adapter profile 110X40 (4.33x1.57 in.)	4000 mm. (157.48 in.)	2000mm.
E	Adapter profile anchored to construction site	>3300 mm.	2000 mm.

- 1 Aluminium L bracket 4 x 4 x 1/4"
- 2 Aluminium L bracket 2 x 4 x 1/4"
- 3 Aluminium L bracket 2 x 2 x 1/4"



- Nm Structural support options
- DA Maximum distance between anchors of brackets
- DV Maximum distance between structural supports
- VV Maximum vertical cantilever (support) 500 mm. (19.65 in.)
- VH Maximum horizontal cantilever (slat) 200 mm. (7.87in.)

Technical department Simpleyfacil®  
Specification workshop

Revision:  
Revision:

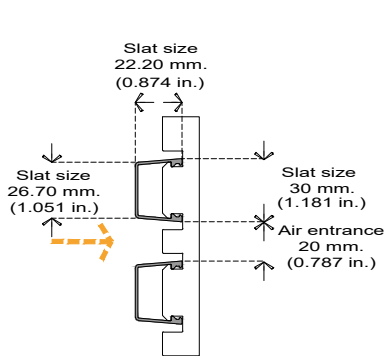
Project:  
Location:  
Authorization:

Date: December 2021  
Dimensions: mm. (in.)

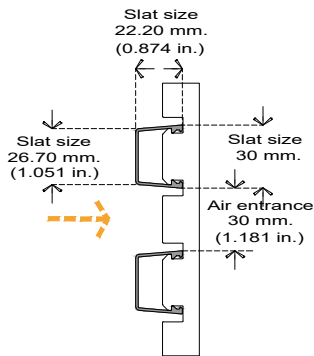


# V SERIES

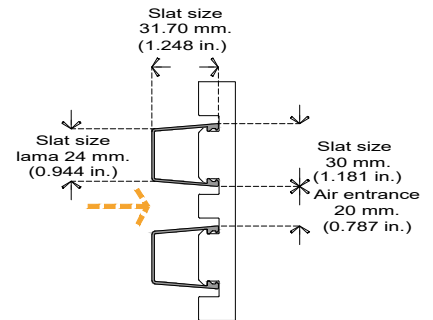
## SPECIFICATION PARAMETERS AND TEST



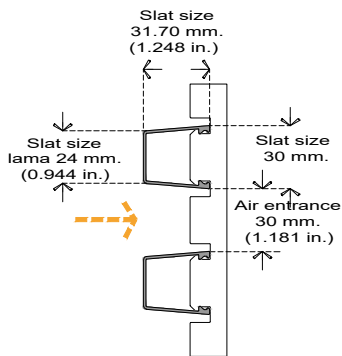
SPM 20



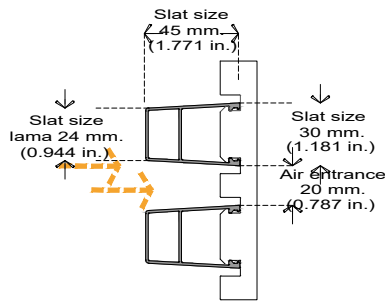
SPM 16.66



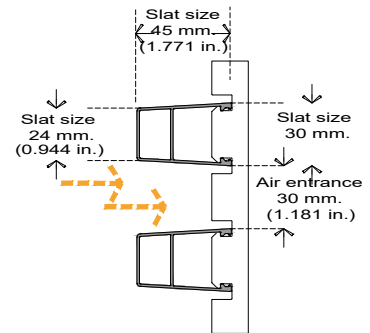
SPM 20



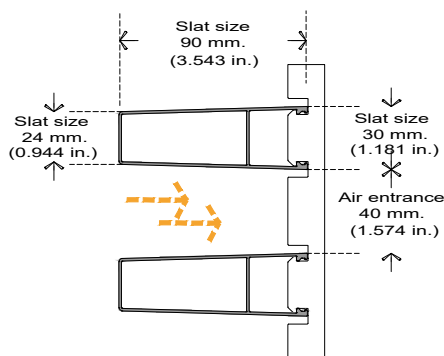
SPM 16.66



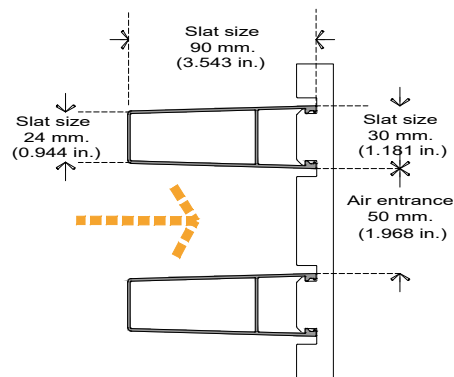
SPM 20



SPM 16.66



SPM 14.28



SPM 12.5

Technical department Simpleyfacil®  
Specification workshop

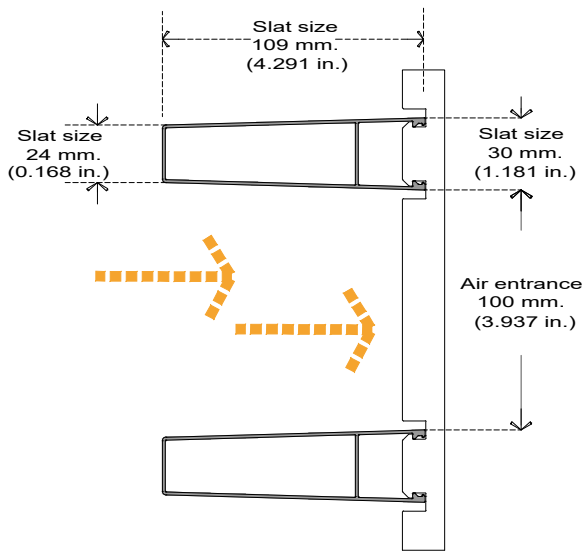
Project:  
Location:  
Authorization:

Revision:  
Revision:  
Date: December 2021  
Dimensions: mm. (in.)

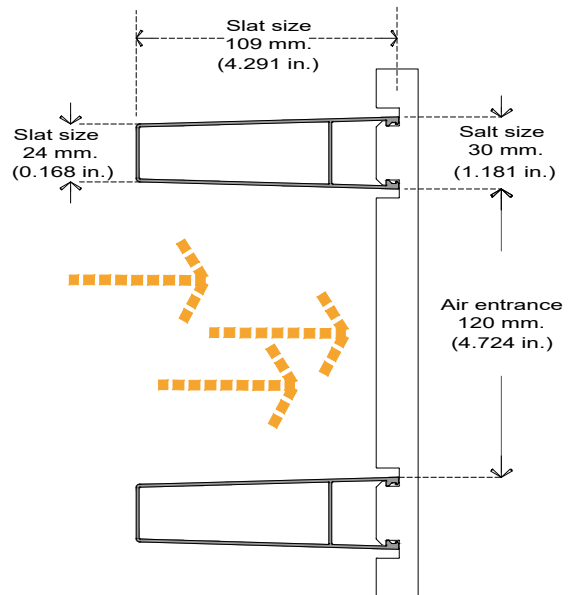


# V SERIES

## SPECIFICATION PARAMETERS AND TEST



SPM 7.69



SPM 6.66

	Number of slats per meter (SPM)					
	20	16.66	14.28	12.50	7.69	6.66
Clearance between slats	20.00 mm. (0.787 in)	30 mm. (1.181 in)	40 mm. (1.547 in)	50 mm. (1.968 in)	100 mm. (3.937 in)	120 mm. (4.724 in)
Free area ( % )	40.00%	50.02%	57.16%	62.50%	76.93%	80.00%
Wind load resistance	>249 k/h (5455 Pa)			Category 5		
Water infiltration ( % )	N.T	N.T	N.T	N.T	N.T	N.T
Air pressure drop ( K value)	N.T	N.T	N.T	0.71	N.T	N.T
Thermal resistance (R value) M2°C/W				0.16	N.T	N.T
Thermal transmittance (U value) W/m2°C				6.36	N.T	N.T
Emittance according to ASTM C 1371 / Clear anodized and raw aluminium				0.645		
Reflectance according to ASTM C 1549 / Clear anodized and raw aluminium				0.759		
Accelerated aging to ASTM G151 / Clear anodized and raw aluminium				N.T		

Extruded aluminium alloy 6063, tempering T5, post-consumption content 51.60%, pre-consumption content 13.70% Snap-on anchored slats to vertical supports, without screws to avoid risk of oxidation

\*N.T: Test not performed

**Fachada ventilada metálica**  
 V-90 (14.28 lamas / separación 4 cms)  
 V-051-00101-8416570

**valor** Validación de Cerramientos y Componentes  
**amevec**

Consulte los valores o certificaciones que ampara este registro capturando el código QR con su smartphone.

The results of the tests or calculations contemplated in this technical sheet, have the recognition of the Valor AMEVEC program, endorsed by the Asociación Mexicana de Ventanas y Cerramientos A.C. You can scan the QR code to verify its integrity and validity.

Technical department Simpley fácil®  
 Specification workshop

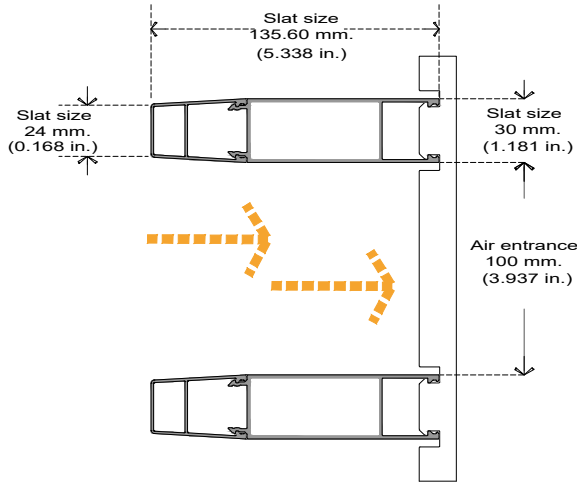
Revision:  
 Revision:

Project:  
 Location:  
 Authorization:

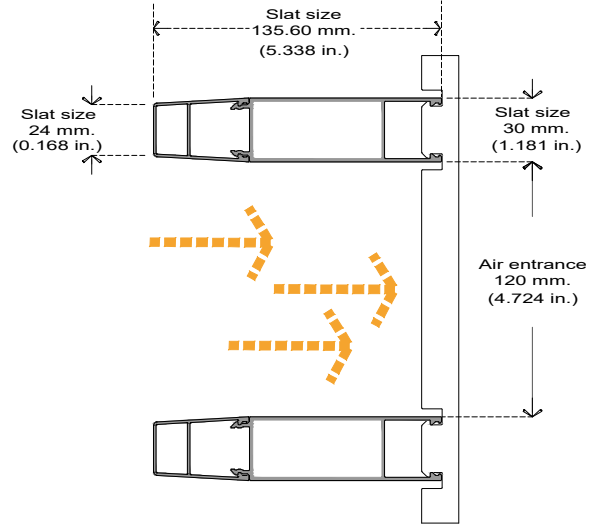
Date: December 2021  
 Dimensions: mm. (in.)



# V SERIES



SPM 7.69



SPM 6.66

	Number of slats per meter (SPM)						
	7.69	6.66	5.56	4.76	4.17	3.85	3.33
Clearance between slats	100.00 mm. (3.93 in.)	120.00 mm. (4.72 in.)	150.00 mm. (5.90 in.)	180.00 mm. (7.08 in.)	210.00 mm. (8.26 in.)	230.00 mm. (9.05 in.)	270.00 mm. (10.62 in.)
Free area ( % )	76.93%	80.02%	83.33%	85.71%	87.50%	88.46%	90.00%
Wind load resistance	>249 k/h (5455 Pa)				Category 5		
Water infiltration ( % )	N.T	N.T	N.T	N.T	N.T	N.T	N.T
Air pressure drop ( K value)	N.T	N.T	N.T	N.T	N.T	N.T	N.T
Thermal resistance (R value) M <sup>2</sup> C/W				N.T	N.T	N.T	N.T
Thermal transmittance (U value) W/m <sup>2</sup> C				N.T	N.T	N.T	N.T
Emittance according to ASTM C 1371 / Clear anodized and raw aluminium				0.645			
Reflectance according to ASTM C 1549 / Clear anodized and raw aluminium				0.759			
Accelerated aging to ASTM G151 / Clear anodized and raw aluminium				N.T			

Extruded aluminium alloy 6063, tempering T5, post-consumption content 51.60%, pre-consumption content 13.70% Snap-on anchored slats to vertical supports, without screws to avoid risk of oxidation

\*N.T: Test not performed

Technical department Simpleyfacil®  
Specification workshop

Revision:  
Revision:

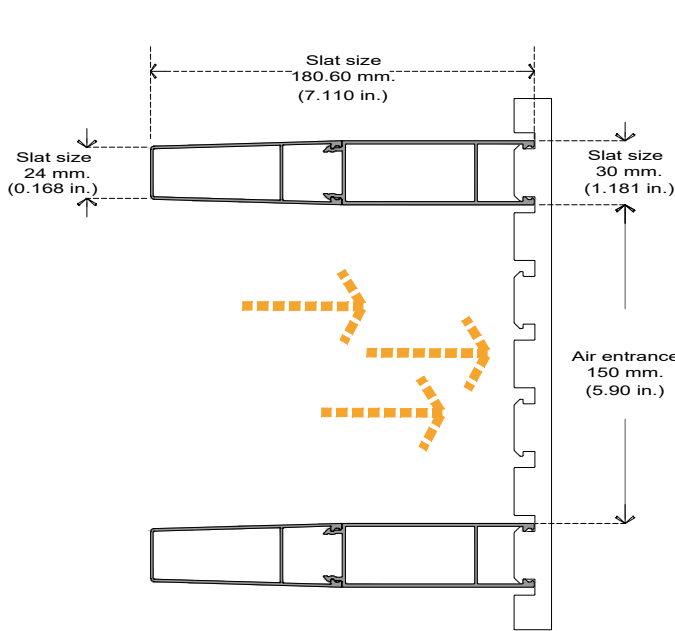
Project:  
Location:  
Authorization:

Date: September 2020  
Dimensions: mm. (in.)

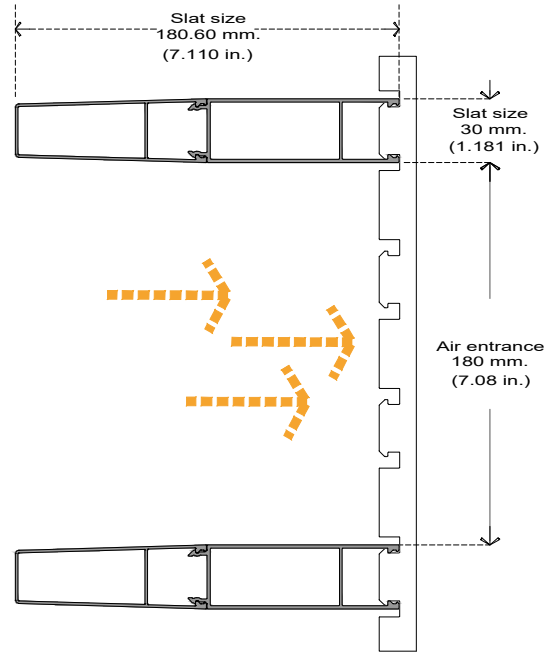


# V SERIES

## SPECIFICATION PARAMETERS AND TEST (V-180)



SPM 5.56



SPM 4.76

### Number of slats per meter (SPM)

	7.69	6.66	5.56	4.76	4.17	3.85	3.33
Clearance between slats	100.00 mm. (3.93 in.)	120.00 mm. (4.72 in.)	150.00 mm. (5.90 in.)	180.00 mm. (7.08 in.)	210.00 mm. (8.26 in.)	230.00 mm. (9.05 in.)	270.00 mm. (10.62 in.)
Free area ( % )	76.93%	80.02%	83.33%	85.71%	87.50%	88.46%	90.00%
Wind load resistance	>249 k/h (5455 Pa)				Category 5		
Water infiltration ( % )	N.T	N.T	N.T	N.T	N.T	N.T	N.T
Air pressure drop ( K value)	N.T	N.T	N.T	N.T	N.T	N.T	N.T
Thermal resistance (R value) M <sup>2</sup> C/W				N.T	N.T	N.T	N.T
Thermal transmittance (U value) W/m <sup>2</sup> C				N.T	N.T	N.T	N.T
Emittance according to ASTM C 1371 / Clear anodized and raw aluminium				0.645			
Reflectance according to ASTM C 1549 / Clear anodized and raw aluminium				0.759			
Accelerated aging to ASTM G151 / Clear anodized and raw aluminium				N.T			

Extruded aluminium alloy 6063, tempering T5, post-consumption content 51.60%, pre-consumption content 13.70% Snap-on anchored slats to vertical supports, without screws to avoid risk of oxidation

\*N.T: Test not performed

Technical department Simpleyfacil®  
Specification workshop

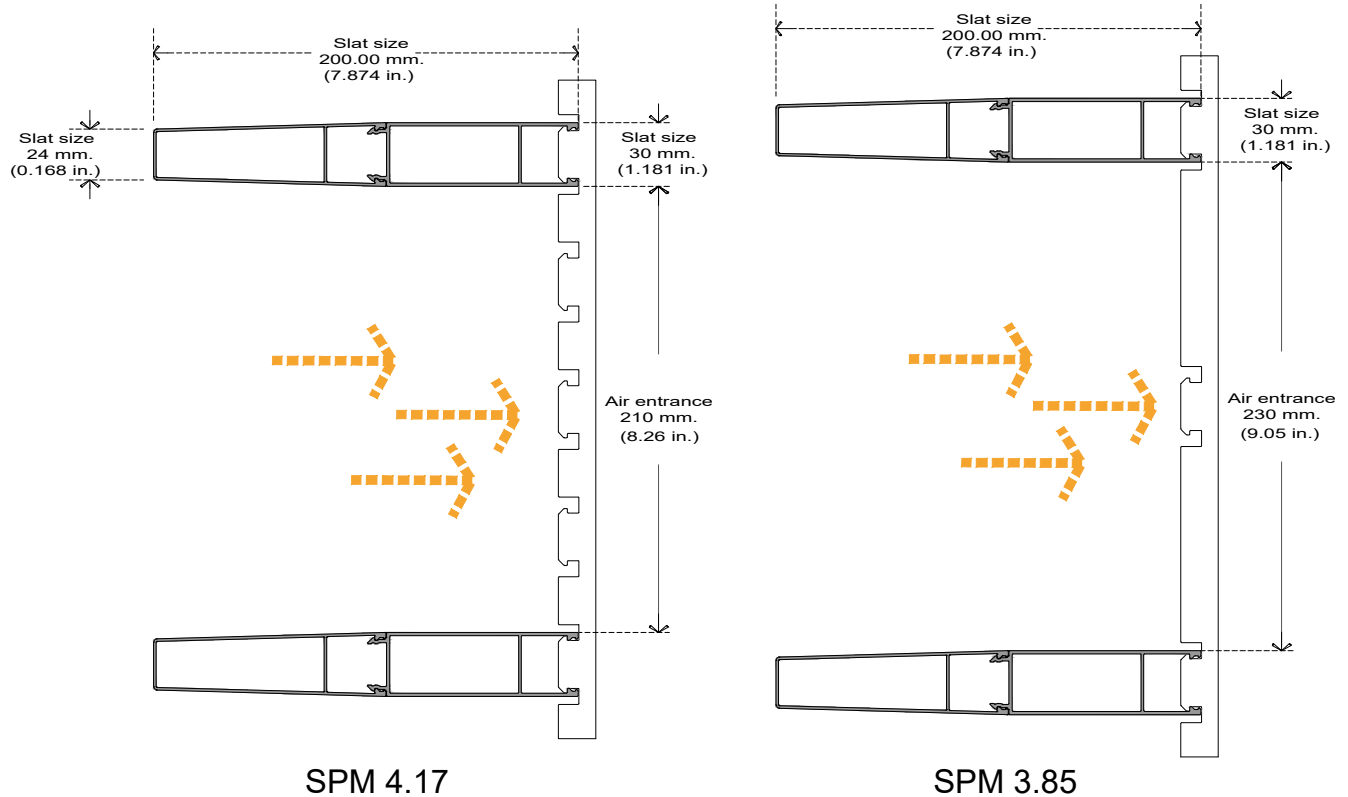
Revision:  
Revision:

Project:  
Location:  
Authorization:

Date: September 2020  
Dimensions: mm. (in.)



# V SERIES



SPM 4.17

SPM 3.85

	Number of slats per meter (SPM)						
--	---------------------------------	--	--	--	--	--	--

	7.69	6.66	5.56	4.76	4.17	3.85	3.33
Clearance between slats	100.00 mm. (3.93 in.)	120.00 mm. (4.72 in.)	150.00 mm. (5.90 in.)	180.00 mm. (7.08 in.)	210.00 mm. (8.26 in.)	230.00 mm. (9.05 in.)	270.00 mm. (10.62 in.)
Free area ( % )	76.93%	80.02%	83.33%	85.71%	87.50%	88.46%	90.00%
Wind load resistance	>249 k/h (5455 Pa)				Category 5		
Water infiltration ( % )	N.T	N.T	N.T	N.T	N.T	N.T	N.T
Air pressure drop ( K value)	N.T	N.T	N.T	N.T	N.T	N.T	N.T
Thermal resistance (R value) M2°C/W				N.T	N.T	N.T	N.T
Thermal transmittance (U value) W/m2°C				N.T	N.T	N.T	N.T
Emittance according to ASTM C 1371 / Clear anodized and raw aluminium				0.645			
Reflectance according to ASTM C 1549 / Clear anodized and raw aluminium				0.759			
Accelerated aging to ASTM G151 / Clear anodized and raw aluminium				N.T			

Extruded aluminium alloy 6063, tempering T5, post-consumption content 51.60%, pre-consumption content 13.70% Snap-on anchored slats to vertical supports, without screws to avoid risk of oxidation

\*N.T: Test not performed

Technical department Simpleyfacil®  
Specification workshop

Revision:  
Revision:

Project:  
Location:  
Authorization:

Date: September 2020  
Dimensions: mm. (in.)

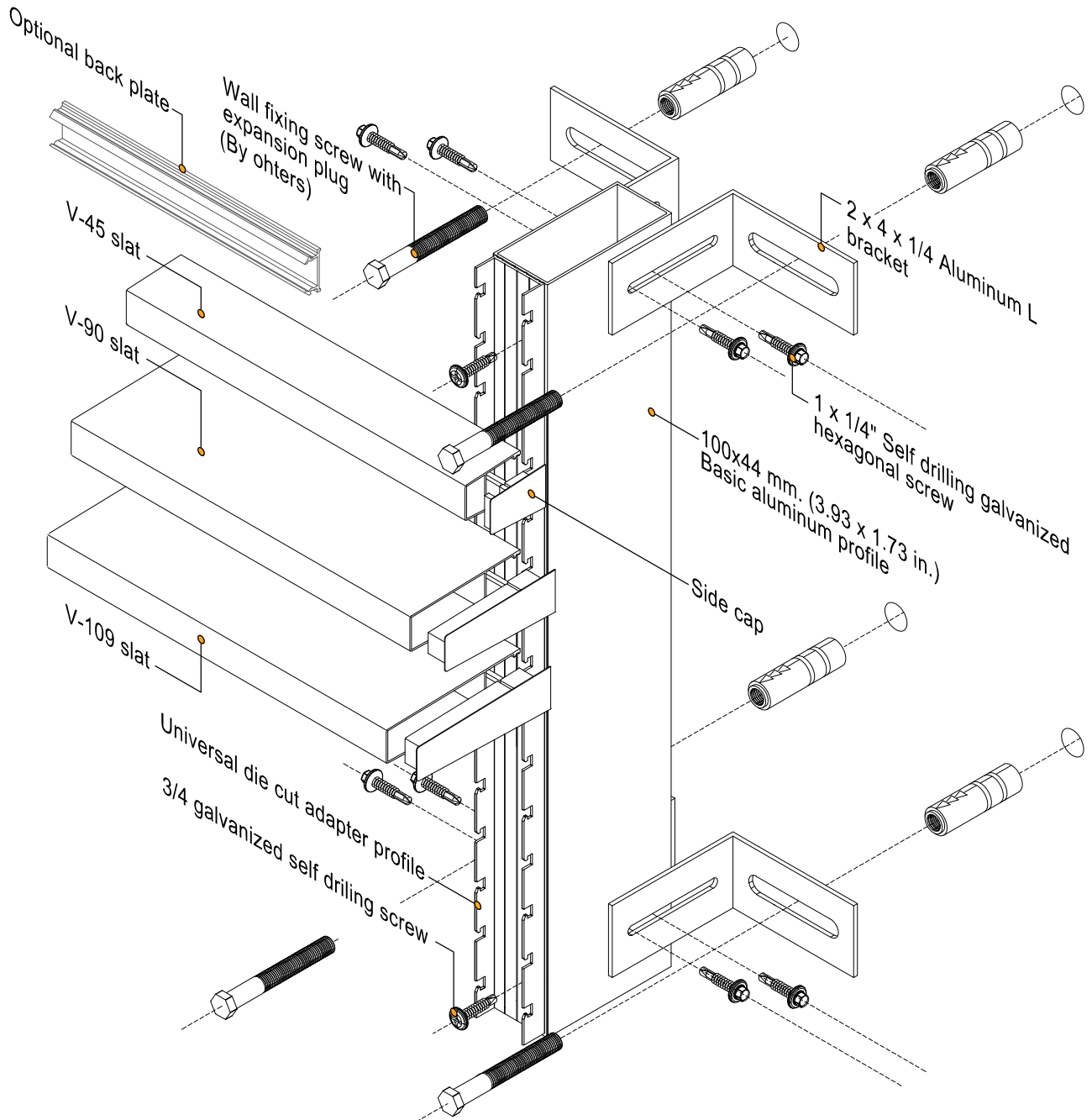




# V SERIES

ANCHORING TO SLABS WITH STRUCTURAL SUPPORT 100 X 44 mm. (3.93X1.73 in.)

Page 09-18



Technical department Simpleyfacil®  
Specification workshop

Project:  
Location:  
Authorization:

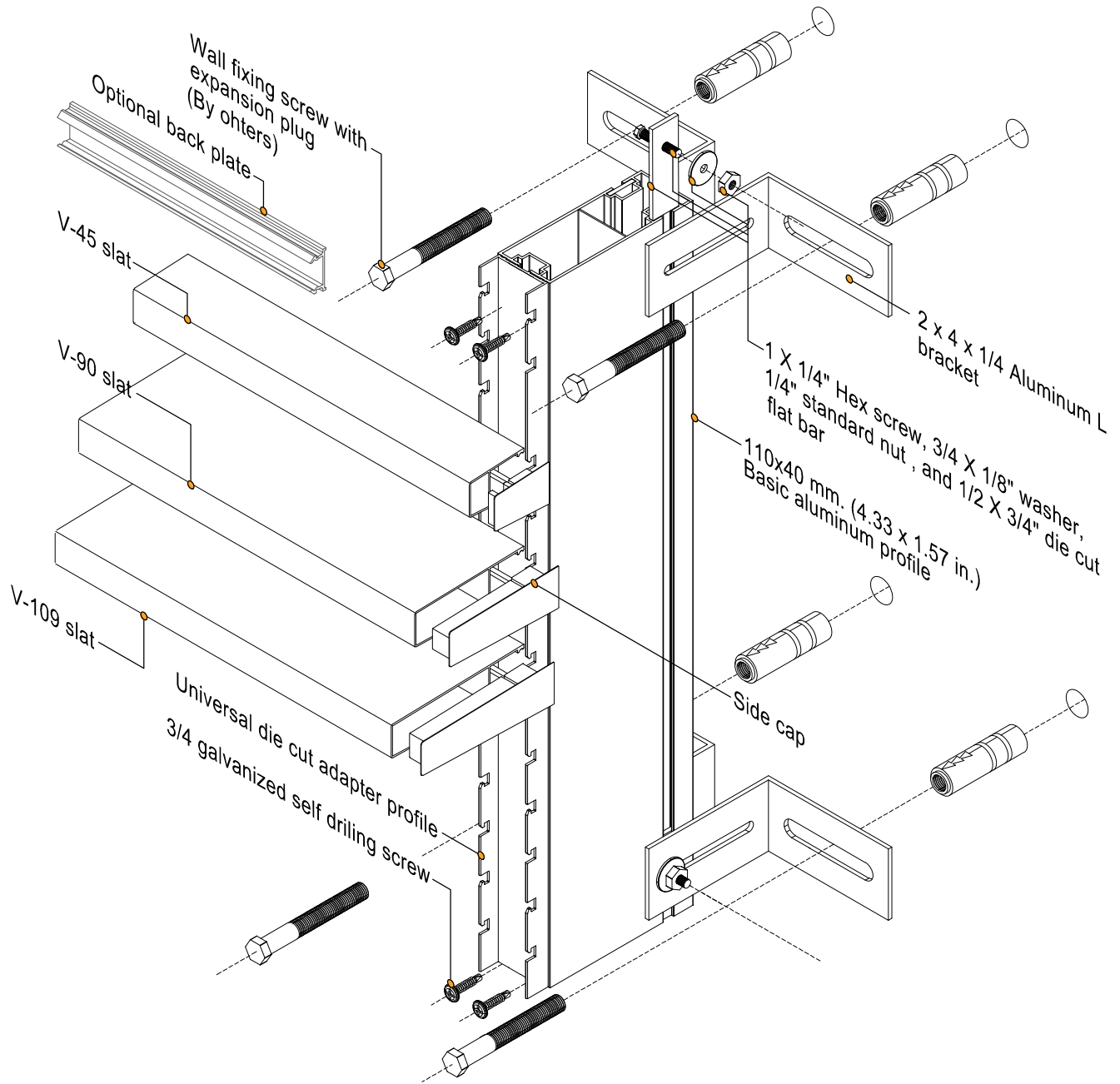
Revision:  
Revision:  
Date: September 2020  
Dimensions: mm. (in.)



# V SERIES

ACHORING TO SLABS WITH STRUCTURAL SUPPORT 110 X 40 mm. (4.33X1.57 in.)

Page 10-18



Technical department Simpleyfacil®  
 Specification workshop

Revision:  
 Revision:

Project:  
 Location:  
 Authorization:

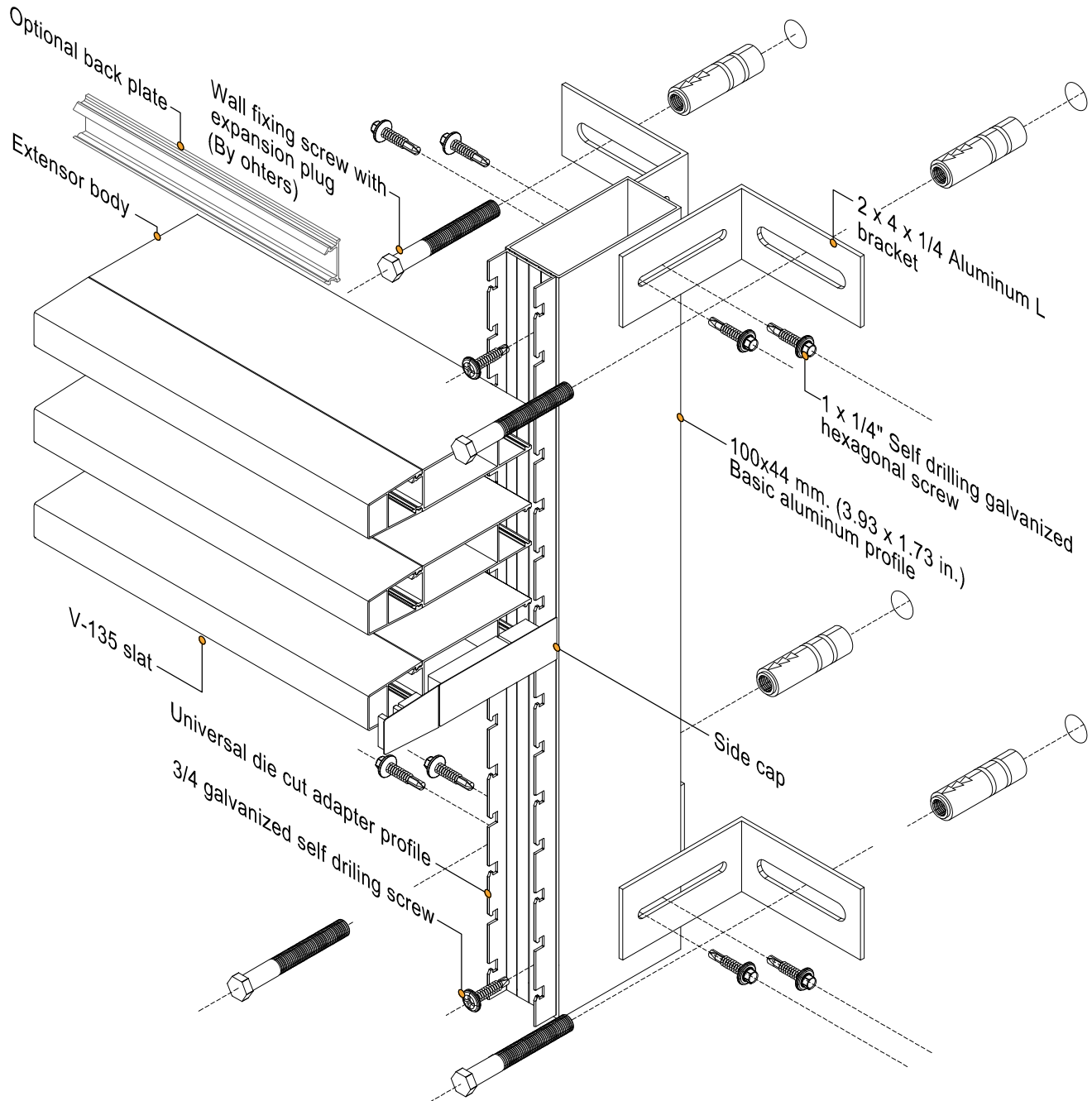
Date: September 2020  
 Dimensions: mm. (in.)



# V SERIES

ANCHORING TO SLABS WITH STRUCTURAL SUPPORT 100 X 44 mm. (3.93X1.73 in.)

Page 11-18



Technical department Simpleyfacil®  
Specification workshop

Project:  
Location:  
Authorization:

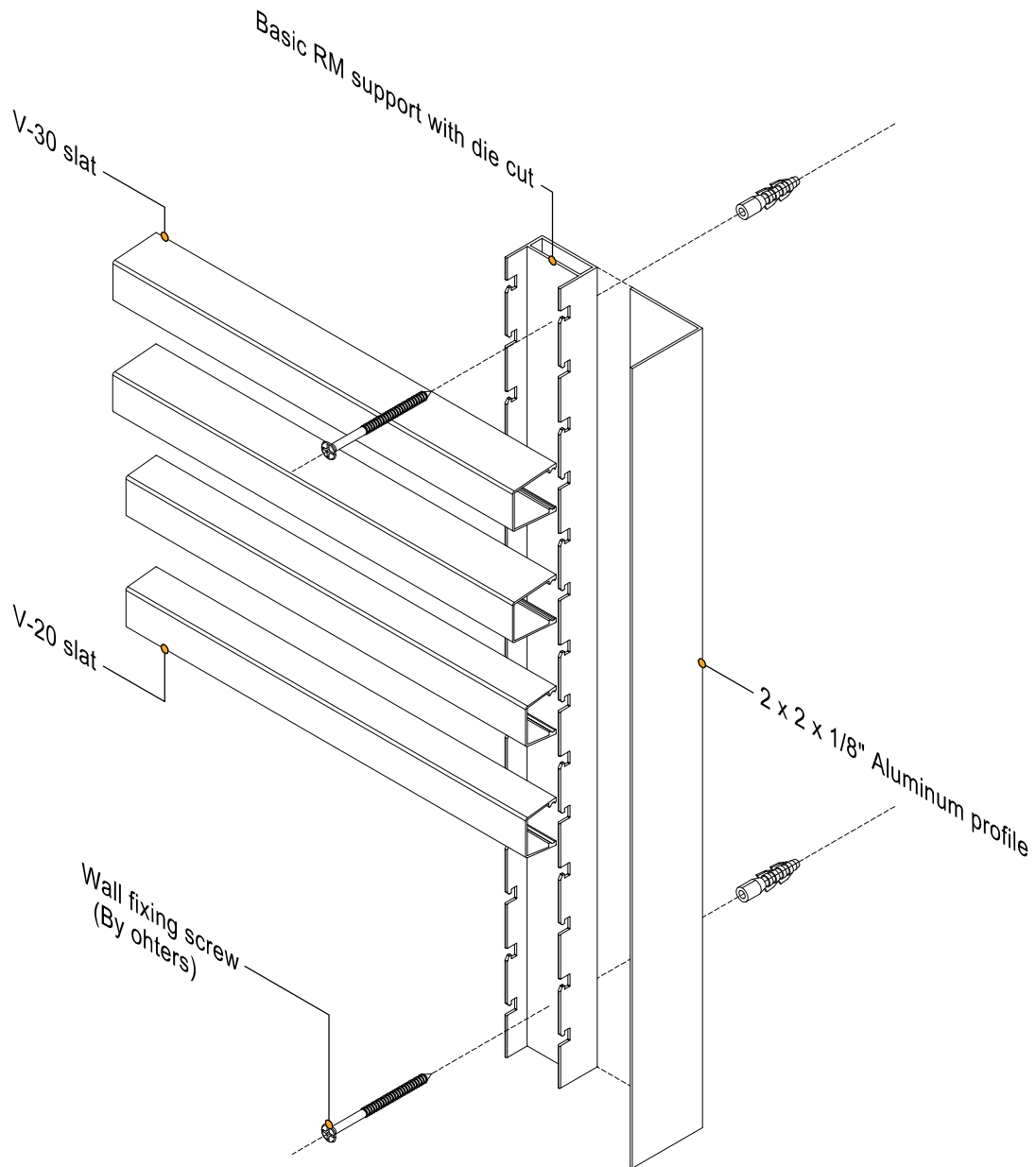
Revision:  
Revision:  
Date: September 2020  
Dimensions: mm. (in.)



# V SERIES

ANCHORING TO WALL, BASIC RM SUPPORT (WALL COVERING)

Page 12-24



Technical department Simpleyfacil®  
Specification workshop

Project:  
Location:  
Authorization:

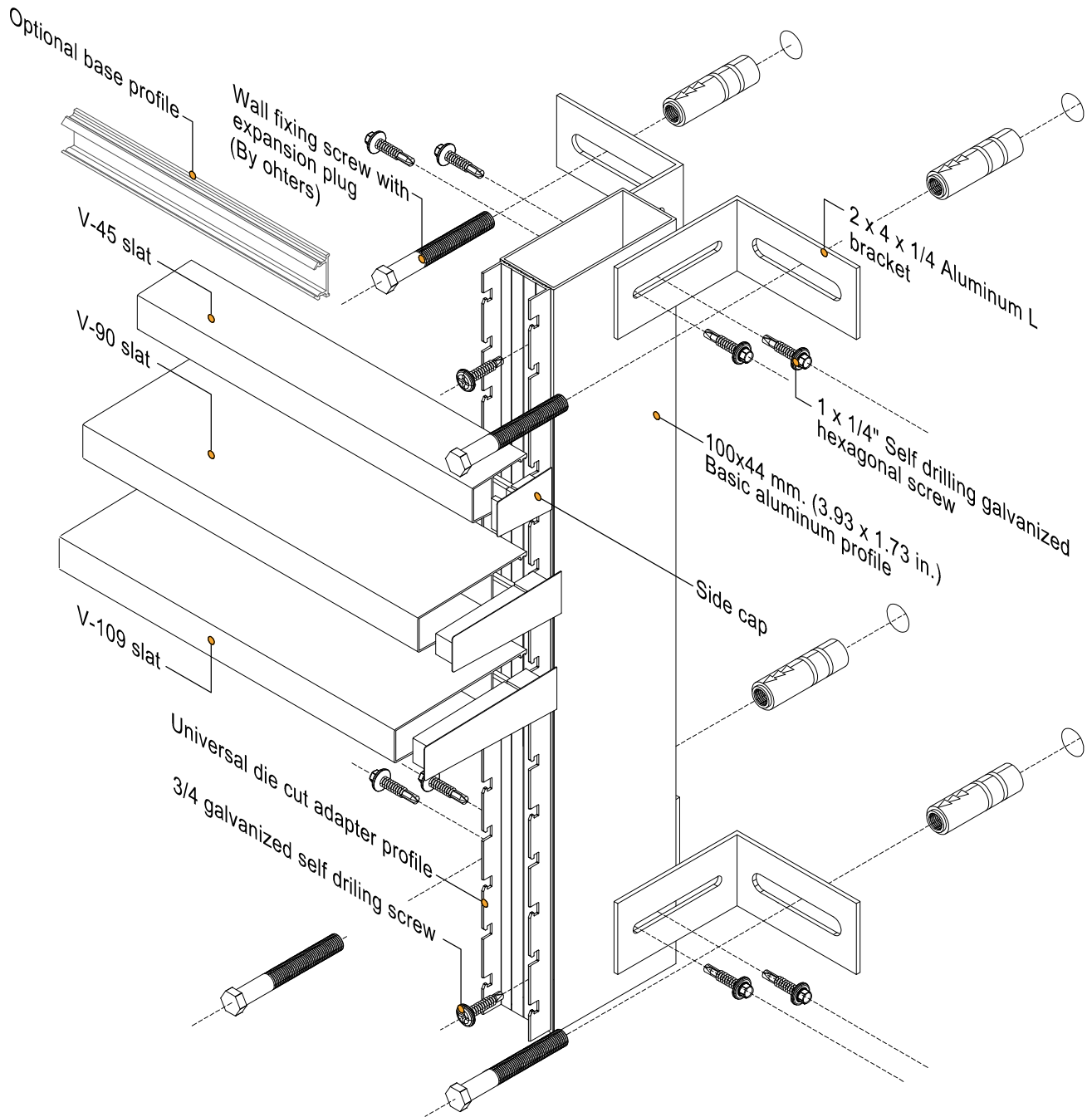
Revision:  
Revision:  
Date: December 2021  
Dimensions: mm. (in.)



# V SERIES

ANCHORING TO SLABS WITH STRUCTURAL SUPPORT 100 X 44 mm. (3.93X1.73 in.)

Page 13-24



Technical department Simpleyfacil®  
Specification workshop

Project:  
Location:  
Authorization:

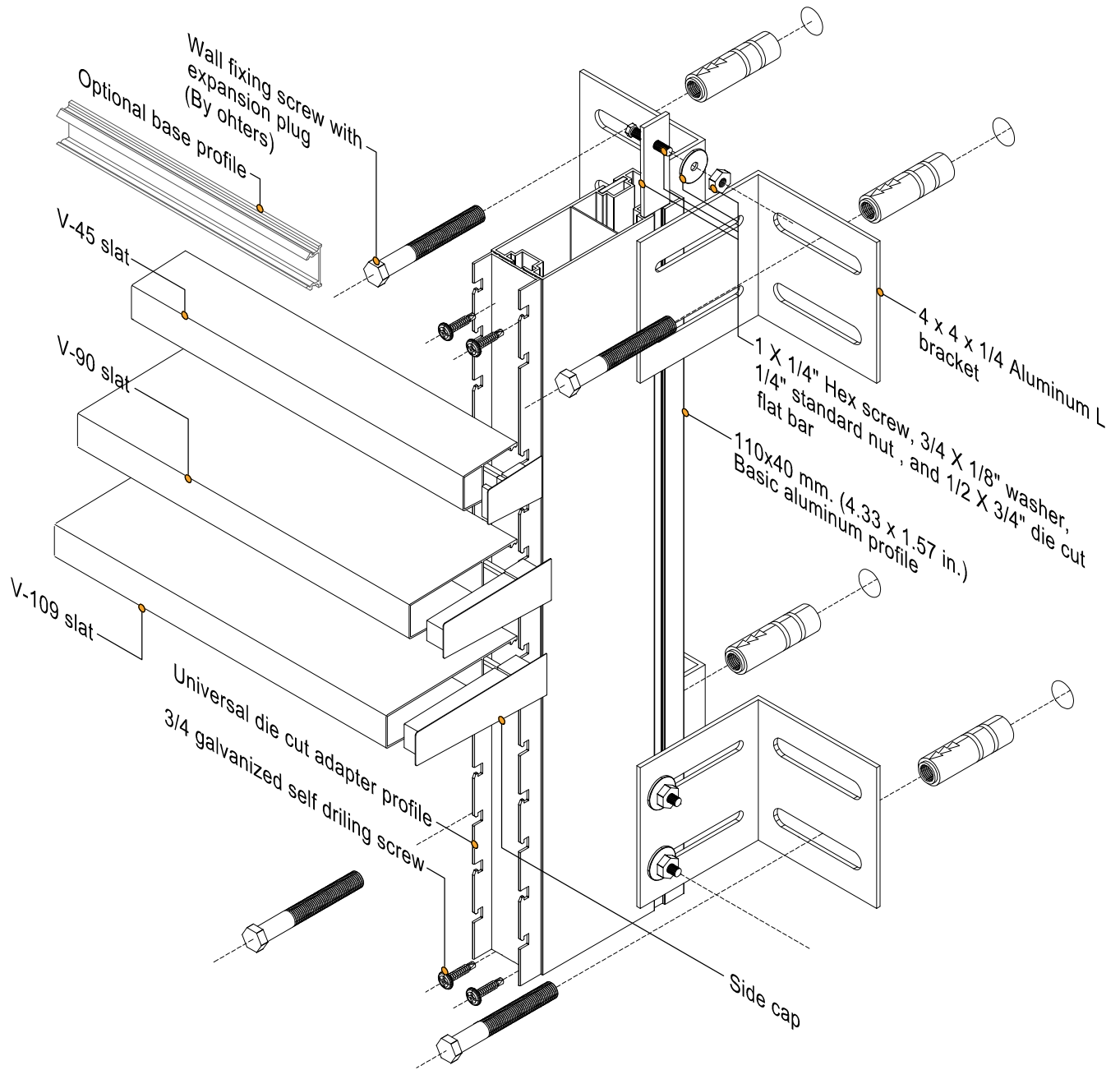
Revision:  
Revision:  
Date: December 2021  
Dimensions: mm. (in.)



# V SERIES

ACHORING TO SLABS WITH STRUCTURAL SUPPORT 110 X 40 mm. (4.33X1.57 in.)

Page 14-24



Technical department Simpleyfacil®  
Specification workshop

Project:  
Location:  
Authorization:

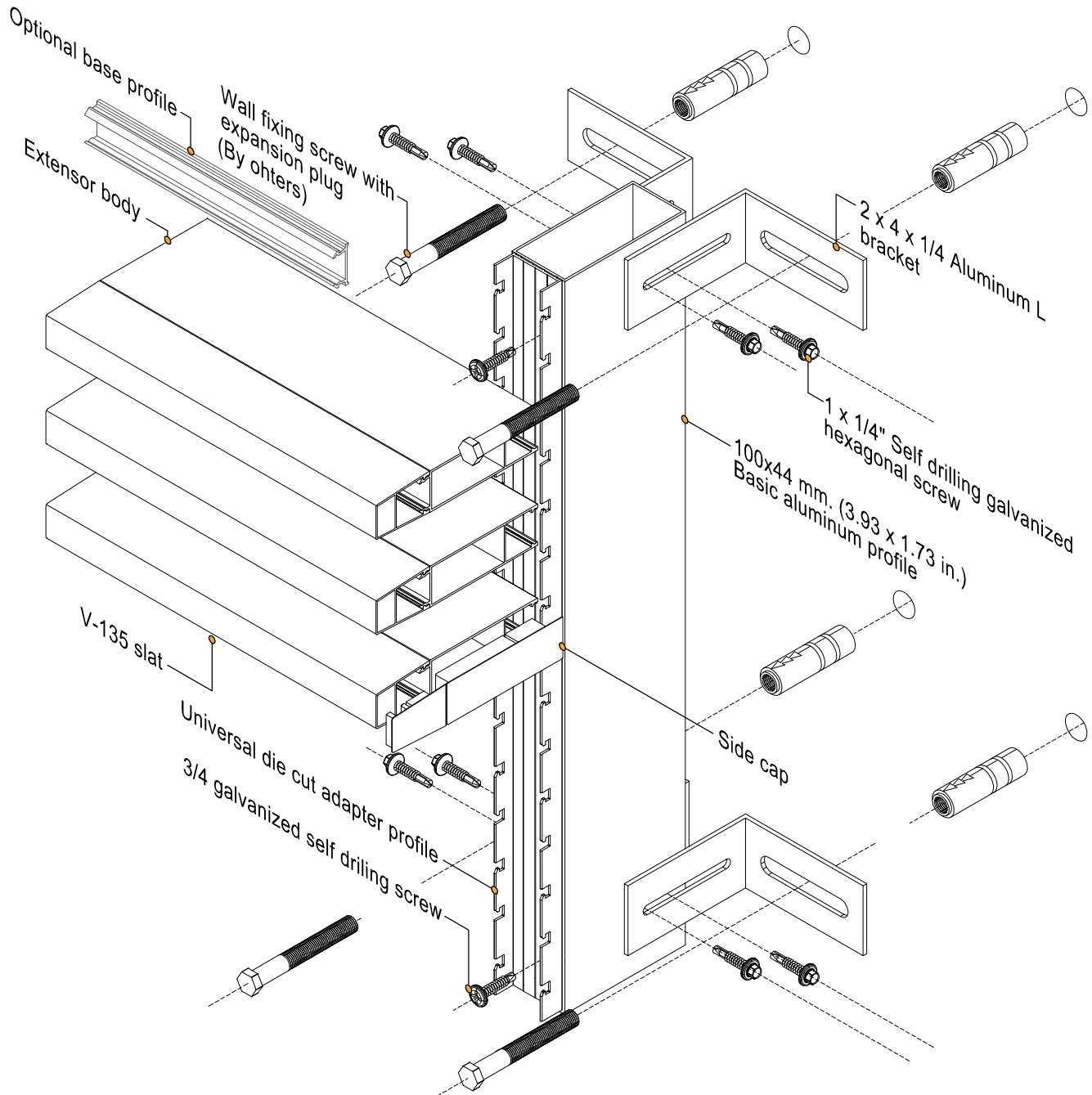
Revision:  
Revision:  
Date: December 2021  
Dimensions: mm. (in.)



# V SERIES

ANCHORING TO SLABS WITH STRUCTURAL SUPPORT 100 X 44 mm. (3.93X1.73 in.)

Page 15-24



Technical department Simpleyfacil®  
Specification workshop

Project:  
Location:  
Authorization:

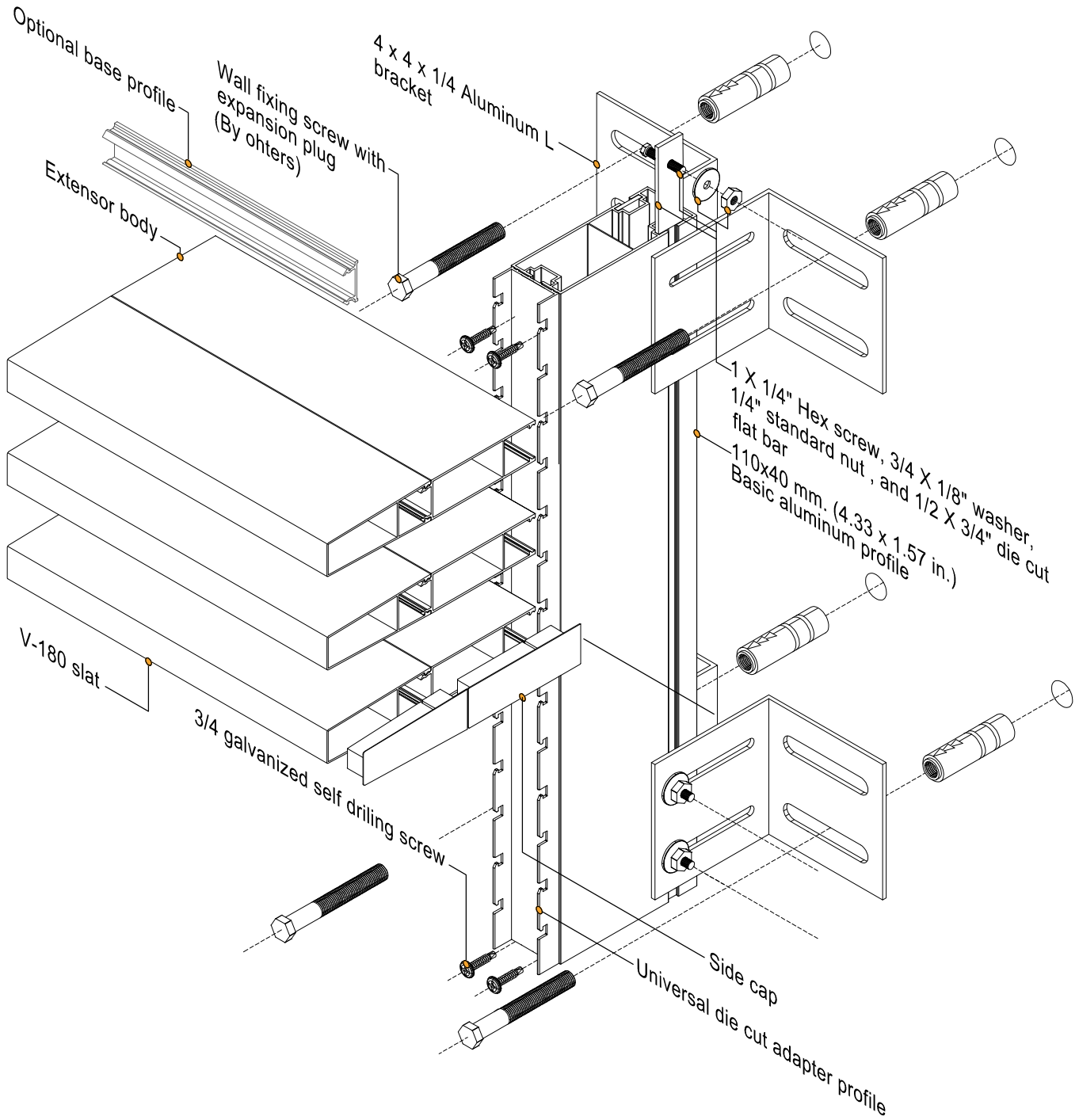
Revision:  
Revision:  
Date: December 2021  
Dimensions: mm. (in.)



# V SERIES

ACHORING TO SLABS WITH STRUCTURAL SUPPORT 110 X 40 mm. (4.33X1.57 in.)

Page 16-24



Technical department Simpleyfacil®  
Specification workshop

Revision:  
Revision:

Project:  
Location:  
Authorization:

Date: December 2021  
Dimensions: mm. (in.)

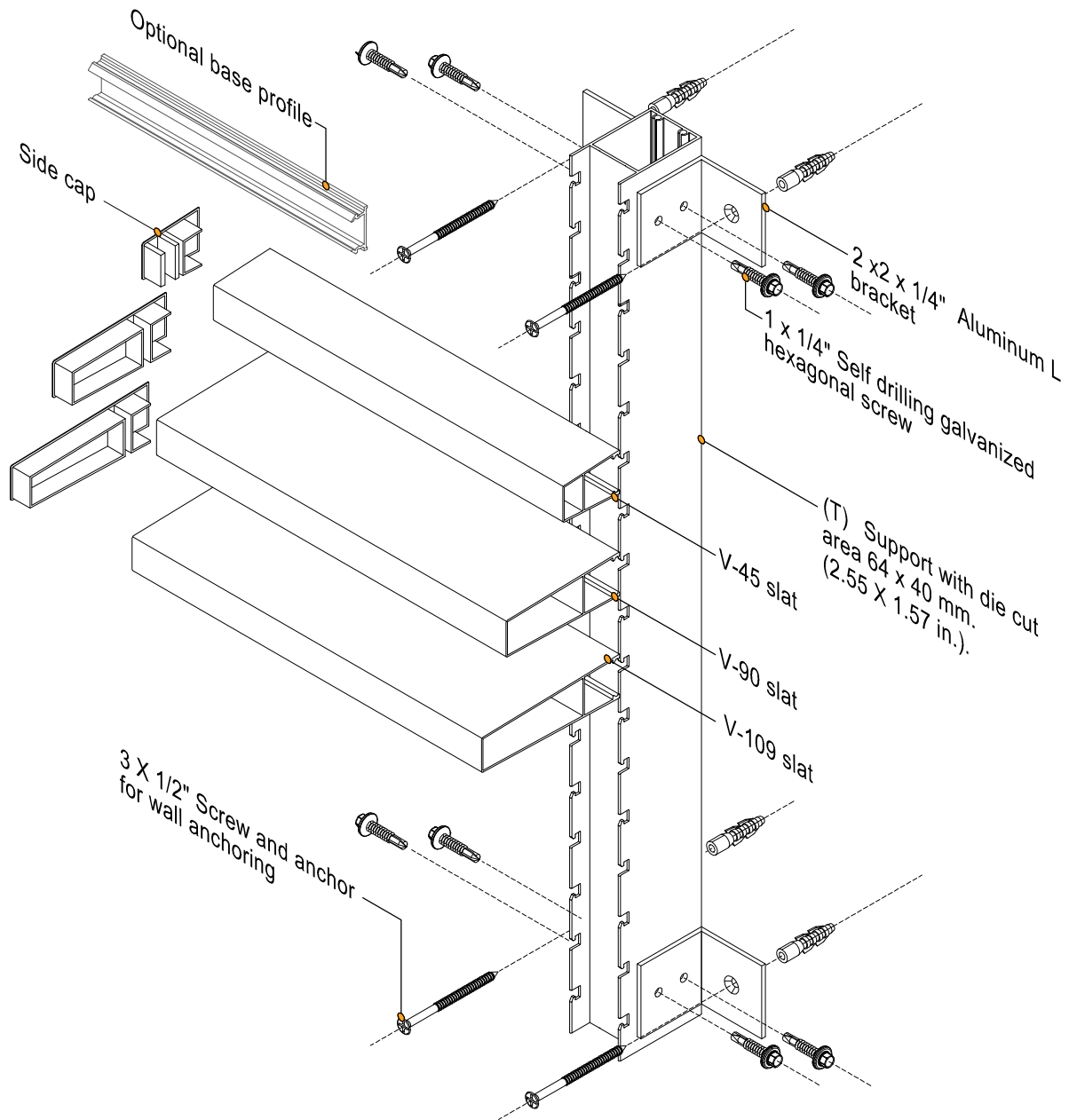




# V SERIES

ANCHORAGE TO SUB STRUCTURE WITH STRUCTURAL SUPPORT  
(T) 65 X 40 mm. (2.55 X 1.57 in.)

Page 17-24



Technical department Simpleyfacil®  
Specification workshop

Project:  
Location:  
Authorization:

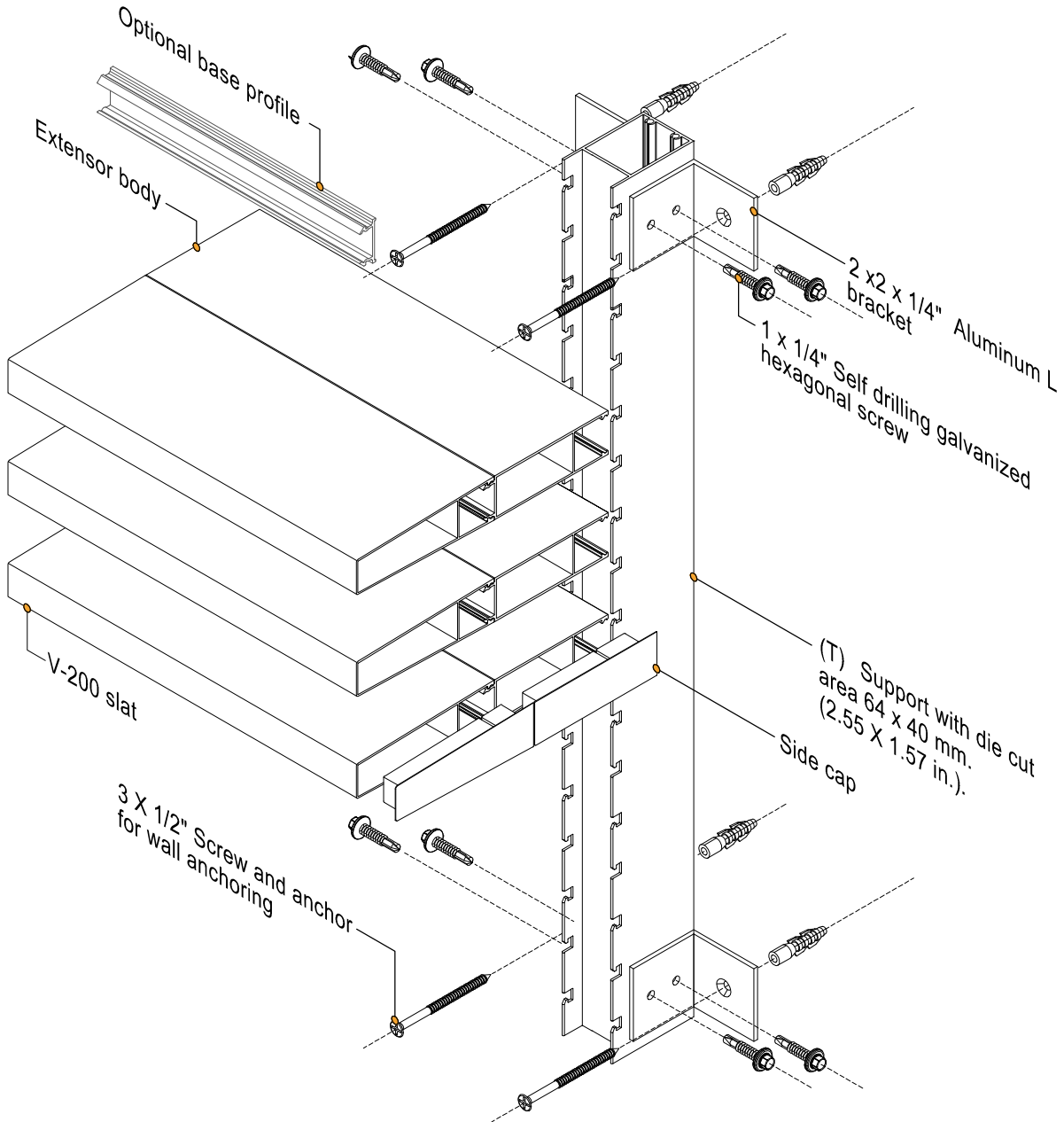
Revision:  
Revision:  
Date: December 2021  
Dimensions: mm. (in.)



# V SERIES

ANCHORAGE TO SUB STRUCTURE WITH STRUCTURAL SUPPORT  
(T) 65 X 40 mm. (2.55 X 1.57 in.)

Page 18-24



Technical department Simpleyfacil®  
Specification workshop

Project:  
Location:  
Authorization:

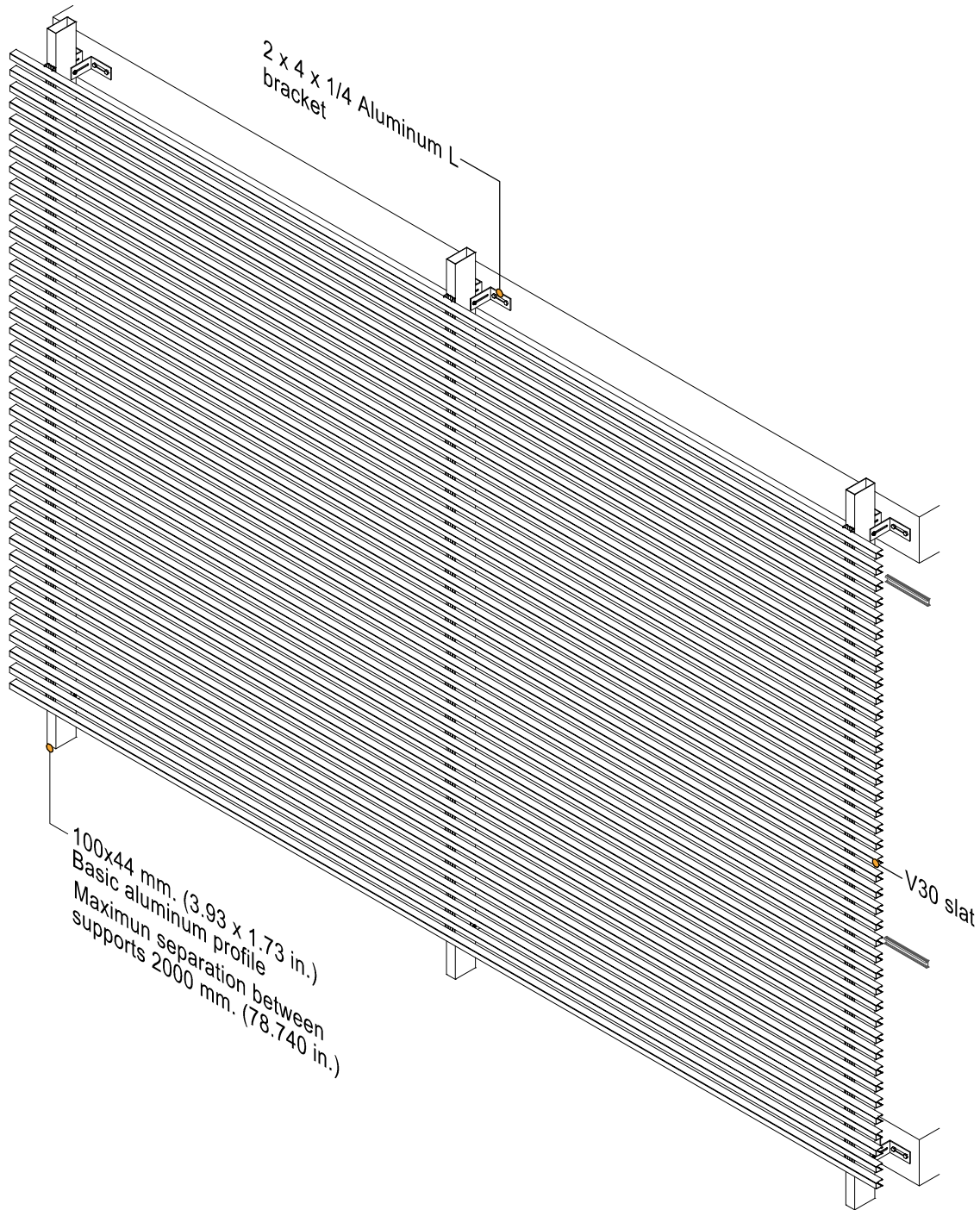
Revision:  
Revision:  
Date: December 2021  
Dimensions: mm. (in.)



# V SERIES

DYNAMIC VENTILATED FACADE PROPOSAL

Page 19-24



Technical department Simpleyfacil®  
Specification workshop

Project:  
Location:  
Authorization:

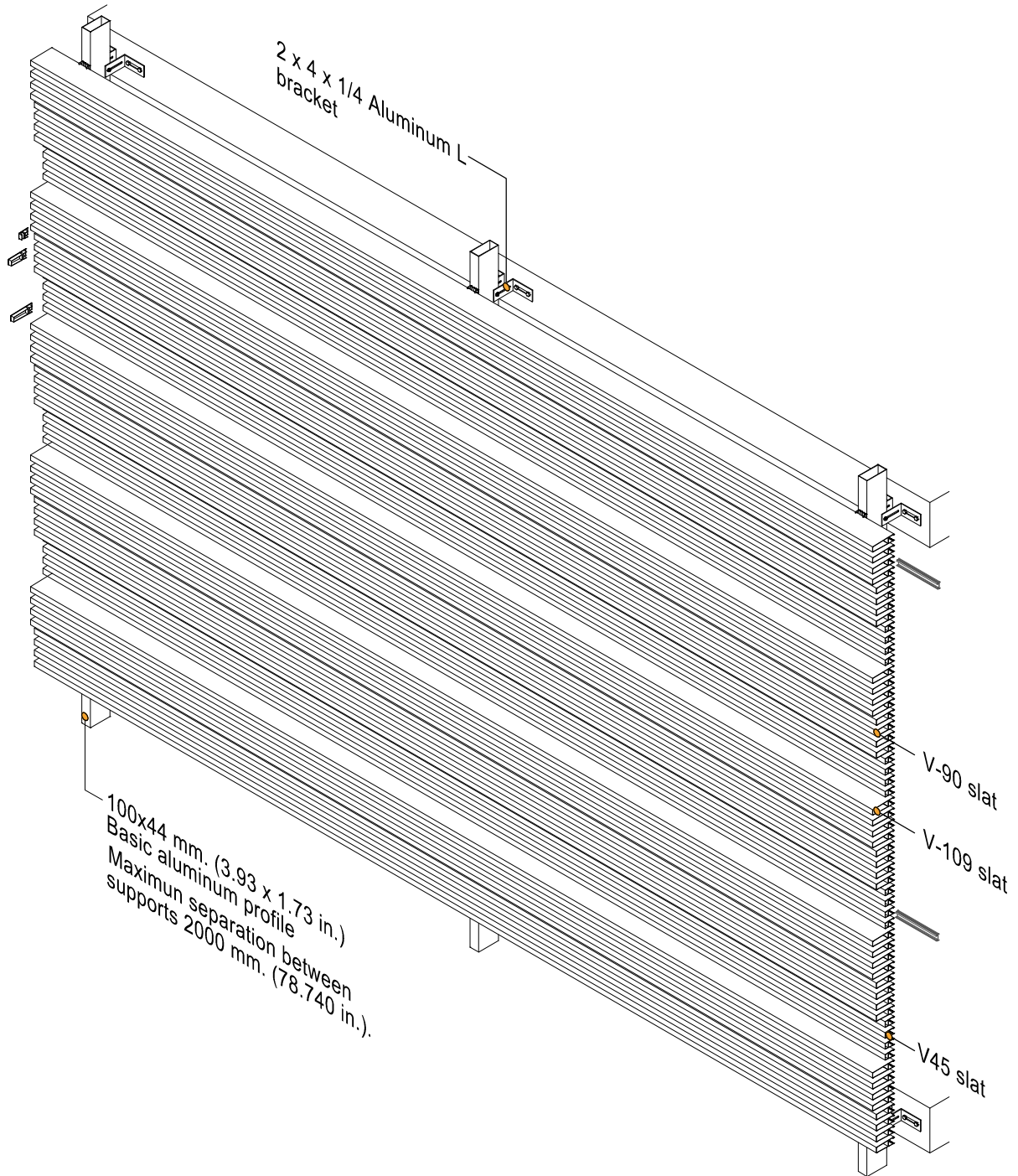
Revision:  
Revision:  
Date: December 2021  
Dimensions: mm. (in.)



# V SERIES

DYNAMIC VENTILATED FACADE PROPOSAL

Page 20-24



Technical department Simpleyfácil®  
Specification workshop

Project:  
Location:  
Authorization:

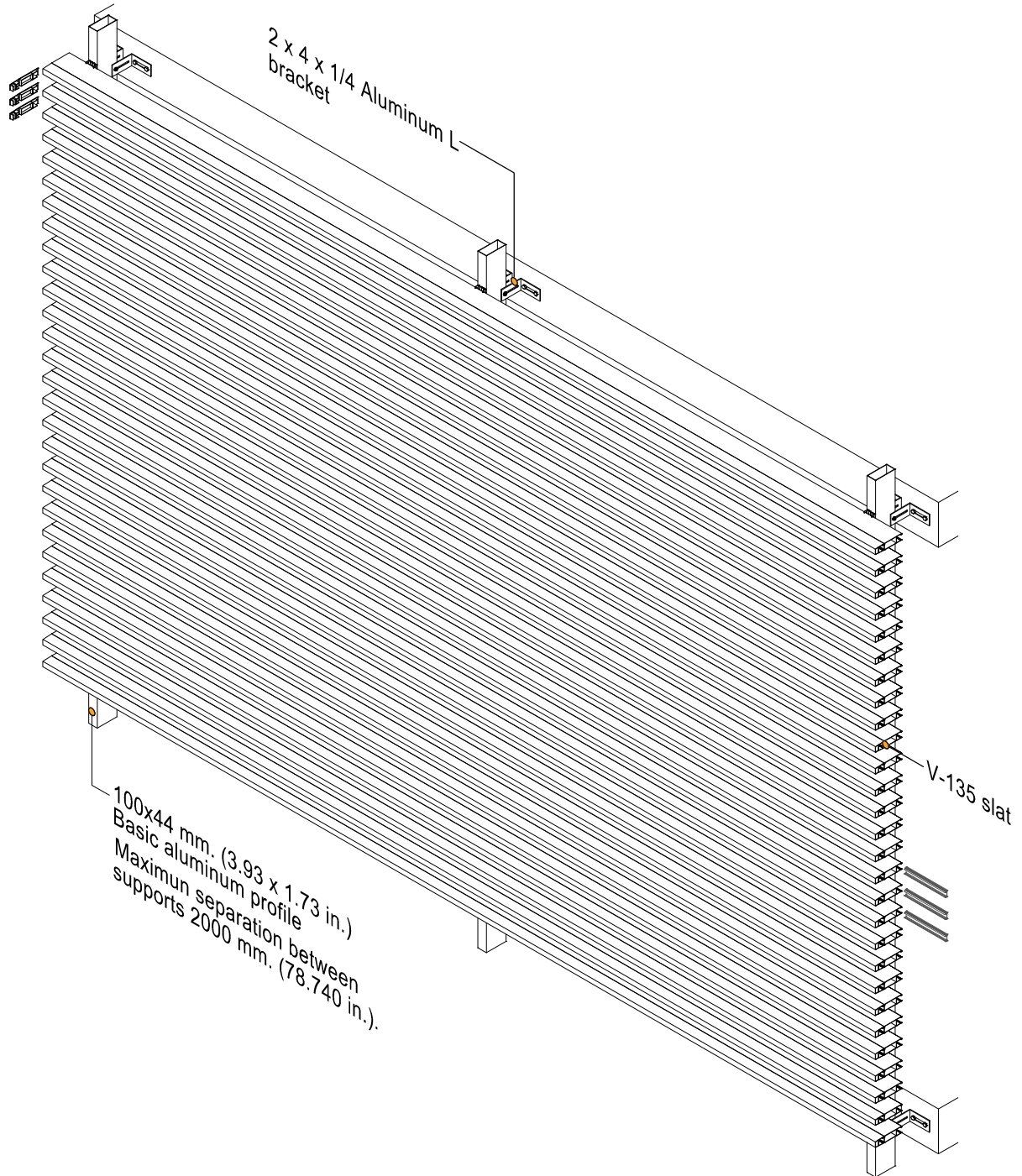
Revision:  
Revision:  
Date: December 2021  
Dimensions: mm. (in.)

 **simple**  
**architectural**  
by simpleyfácil

# V SERIES

DYNAMIC VENTILATED FACADE PROPOSAL

Page 21-24



Technical department Simpleyfacil®  
Specification workshop

Project:  
Location:  
Authorization:

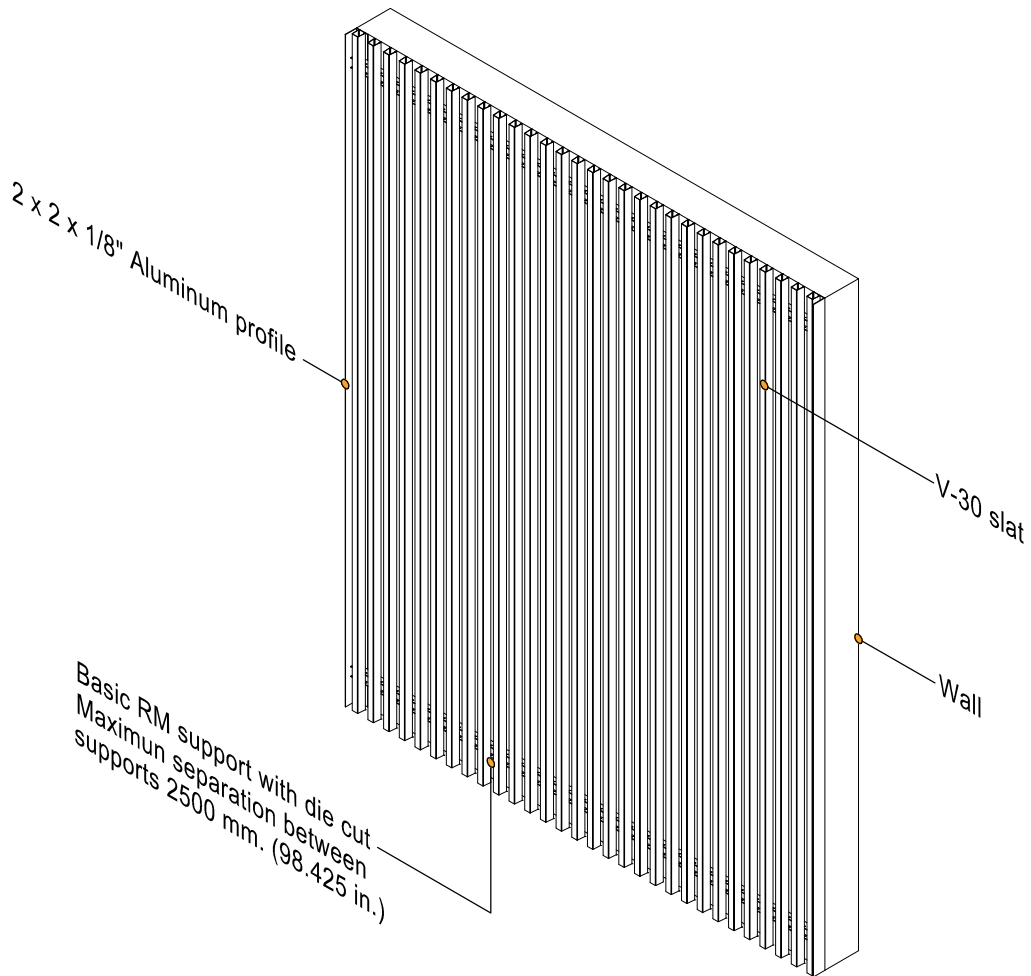
Revision:  
Revision:  
Date: December 2021  
Dimensions: mm. (in.)



# V SERIES

INTERIOR WALL COVERING PROPOSAL (V-30)

Page 22-24



Technical department Simpleyfacil®  
Specification workshop

Project:  
Location:  
Authorization:

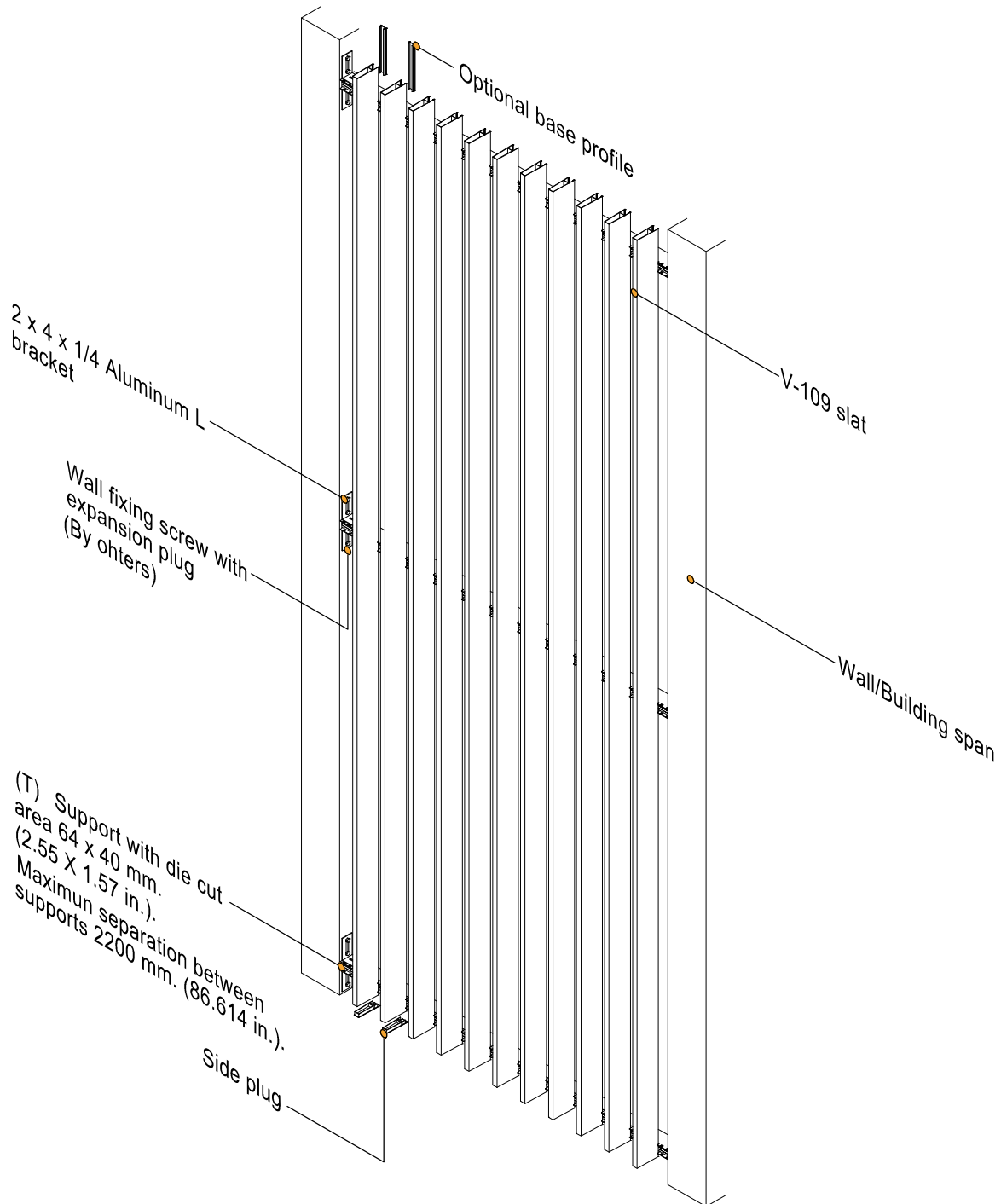
Revision:  
Revision:  
Date: December 2021  
Dimensions: mm. (in.)



# V SERIES

DYNAMIC VENTILATED FACADE PROPOSAL (V-109)

Page 23-24



Technical department Simpleyfacil®  
Specification workshop

Project:  
Location:  
Authorization:

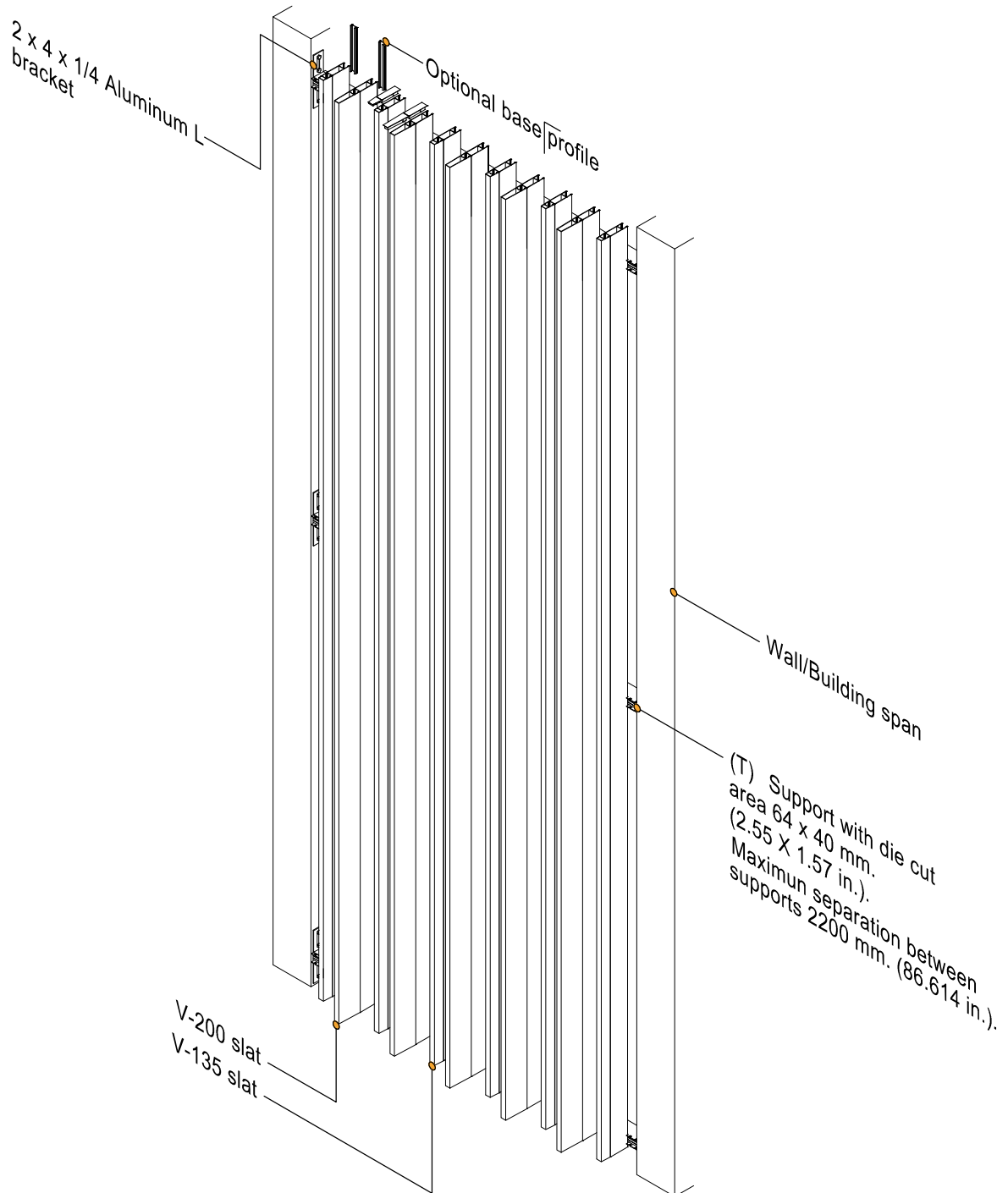
Revision:  
Revision:  
Date: December 2021  
Dimensions: mm. (in.)



# V SERIES

DYNAMIC VENTILATED FACADE PROPOSAL, V-135 AND V-200 COMBINATION

Page 24-24



Technical department Simpleyfacil®  
Specification workshop

Project:  
Location:  
Authorization:

Revision:  
Revision:  
Date: December 2021  
Dimensions: mm. (in.)

