

SUNSET V

SLATS OPTIONS, COMBINATIONS AND SIZES

Page 01-17



Sunset V300 slat



Sunset V280 slat



Sunset V260 slat



Sunset V230 slat



Sunset V210 slat



Sunset V170 slat



Sunset V92 slat

Technical department Simpleyfacil®
Specification workshop

Project:
Location:
Authorization:

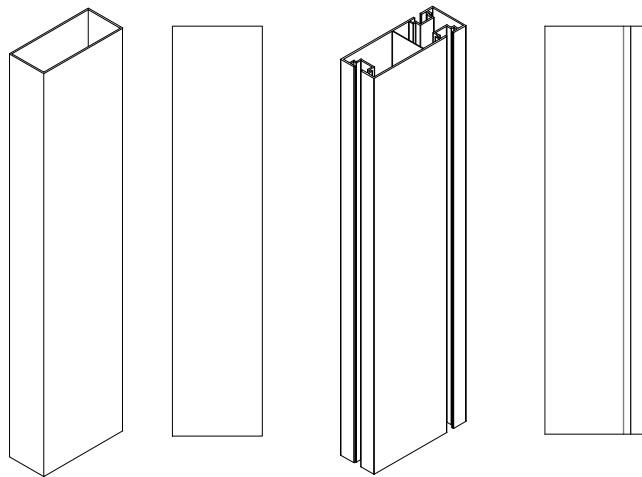
Revision:
Revision:
Date: October 2020
Dimensions: mm. (in.)



SUNSET V

SELECTION OF SUPPORTS ACCORDING TO THE SEPARATION BETWEEN ANCHORS

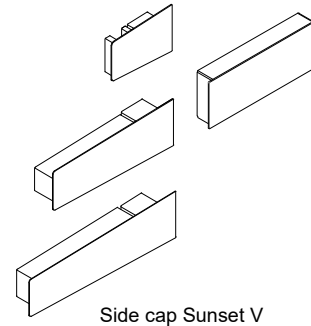
Page 02-17



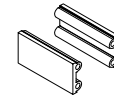
Option **B**

Option **C**

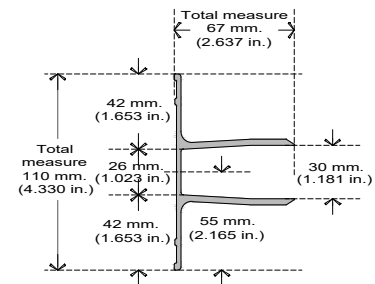
Components



Side cap Sunset V



Plastic vein



Aluminum 90° bracket

Distances for installation of structural supports

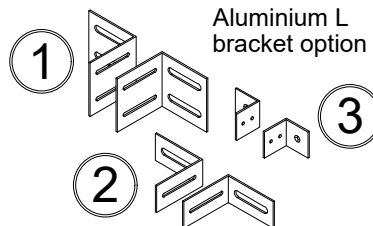
Nm	Structural support options	Maximum distance (DA)
B	Basic support 100X44 (3.93x1.73 in.) with aluminum bracket	3300 mm. (129.92 in.)
C	Basic facade support 110X40 (4.33x1.57 in.) with aluminum bracket	4000 mm. (157.48 in.)
D	Aluminum bracket anchored to substructure on site	>4000 mm.

Maximum distance between slat attachment horizontal installation
Maximum distance between slat attachment vertical installation

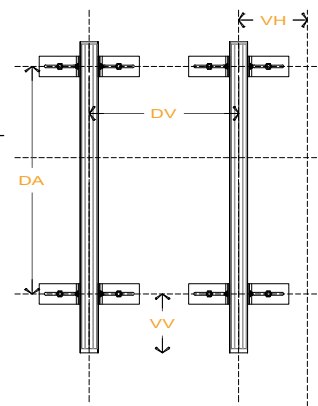
Maximum distance (DV)
*See detail slat
*See detail slat

- 1 Aluminium L bracket 4 x 4 x 1/4"
- 2 Aluminium L bracket 2 x 4 x 1/4"
- 3 Aluminium L bracket 2 x 2 x 1/4"

Nm	Structural support options
DA	Maximum distance between structural support anchors
DV	Maximum distance between slat attachment
VV	Maximum vertical cantilever (support) 500 mm. (19.65 in.)
VH	Maximum horizontal cantilever (slat) 200 mm. (7.87 in.)



Aluminium L bracket option



Technical department Simpleyfacil®
Specification workshop

Revision:
Revision:

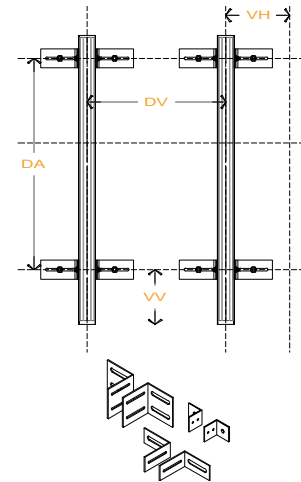
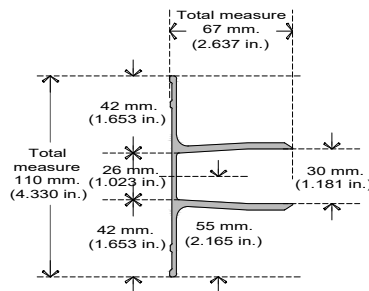
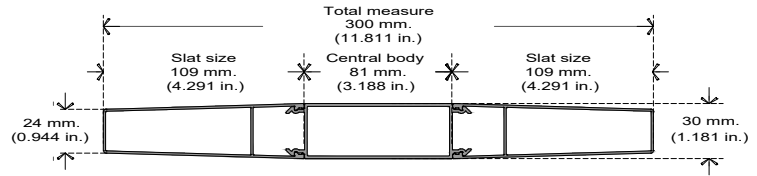
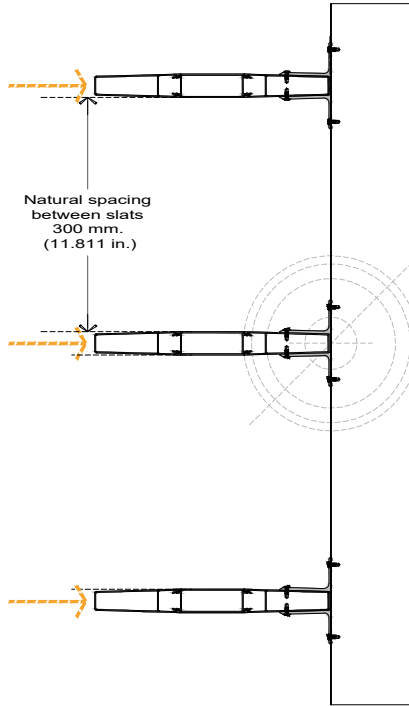
Project:
Location:
Authorization:

Date: October 2020
Dimensions: mm. (in.)



SUNSET V300

SLAT INSTALLATION OPTIONS AND COMBINATIONS



Number of slats per meter (SPM)

	3.33	3.00	2.80
Clearance between slats	300.30 mm. (11.82 in.)	333.30 mm. (11.82 in.)	357.10 mm. (14.05 in.)
Free area (%)	93.07%	93.76%	94.18%
DA Maximum distance between anchors of brackets 76 x 44 (2.99x1.73 in.)		2700 mm. (106.29 in.)	
DA Maximum distance between anchors of brackets 100 x 44 (3.93x1.73 in.)		3300 mm. (129.92 in.)	
DA Maximum distance between anchors of brackets 110 x 40 (4.33x1.57 in.)		4000 mm. (157.48 in.)	
DV Maximum distance between slat attachment horizontal installation		3000 mm. (118.11 in.)	
DV Maximum distance between slat attachment vertical installation		3500 mm. (137.79 in.)	
Emittance according to ASTM C 1371 / Clear anodized and raw aluminium		0.645	
Reflectance according to ASTM C 1549 / Clear anodized and raw aluminium		0.759	
Accelerated aging to ASTM G151 / Clear anodized and raw aluminium		0.000	

Extruded aluminium alloy 6063, tempering T5, post-consumption content 51.60%, pre-consumption content 13.70%

Technical department Simpleyfacil®
Specification workshop

Revision:
Revision:

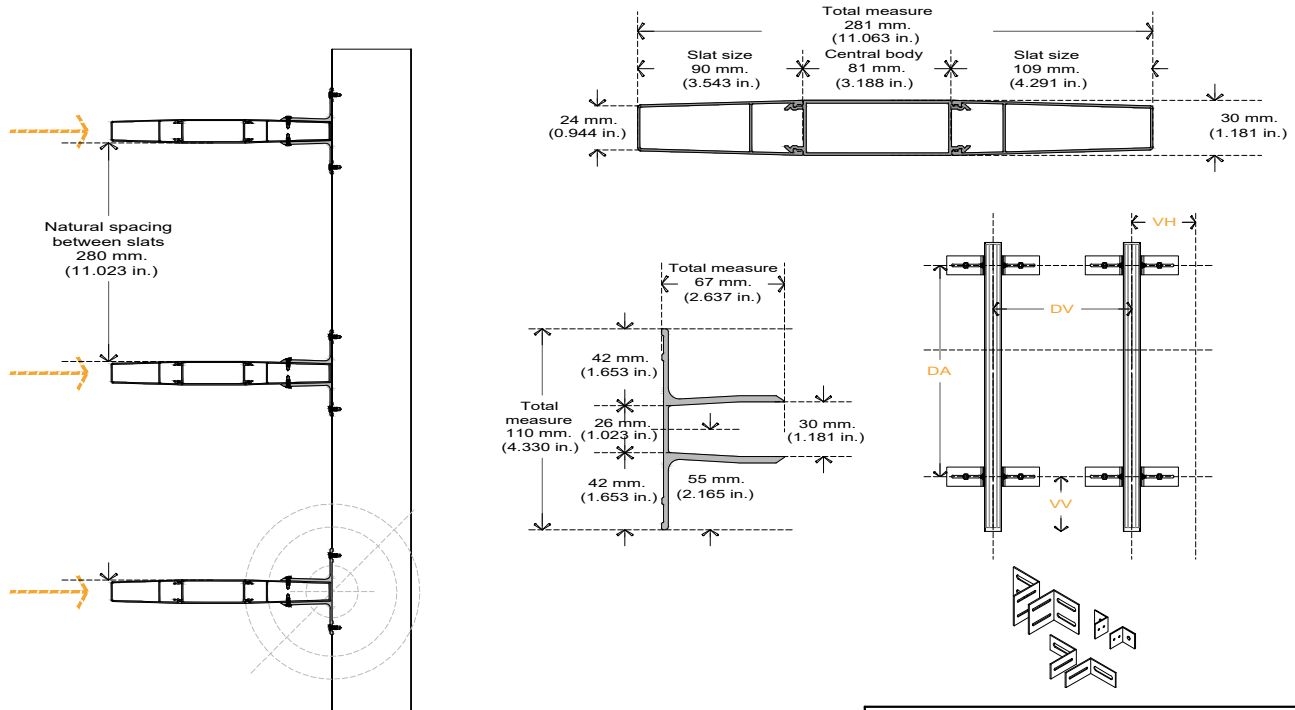
Project:
Location:
Authorization:

Date: October 2020
Dimensions: mm. (in.)



SUNSET V280

SLAT INSTALLATION OPTIONS AND COMBINATIONS



Number of slats per meter (SPM)

	3.57	3.45	3.33
Clearance between slats	280.10 mm. (11.02 in.)	289.90 mm. (11.41 in.)	300.30 mm. (11.82 in.)
Free area (%)	92.57%	92.82%	93.07%
DA Maximum distance between anchors of brackets 76 x 44 (2.99x1.73 in.)		2700 mm. (106.29 in.)	
DA Maximum distance between anchors of brackets 100 x 44 (3.93x1.73 in.)		3300 mm. (129.92 in.)	
DA Maximum distance between anchors of brackets 110 x 40 (4.33x1.57 in.)		4000 mm. (157.48 in.)	
DV Maximum distance between slat attachment horizontal installation		3000 mm. (118.11 in.)	
DV Maximum distance between slat attachment vertical installation		3500 mm. (137.79 in.)	
Emittance according to ASTM C 1371 / Clear anodized and raw aluminium		0.645	
Reflectance according to ASTM C 1549 / Clear anodized and raw aluminium		0.759	
Accelerated aging to ASTM G151 / Clear anodized and raw aluminium		0.000	
Extruded aluminium alloy 6063, tempering T5, post-consumption content 51.60%, pre-consumption content 13.70%			

Technical department Simpleyfacil®
Specification workshop

Revision:
Revision:

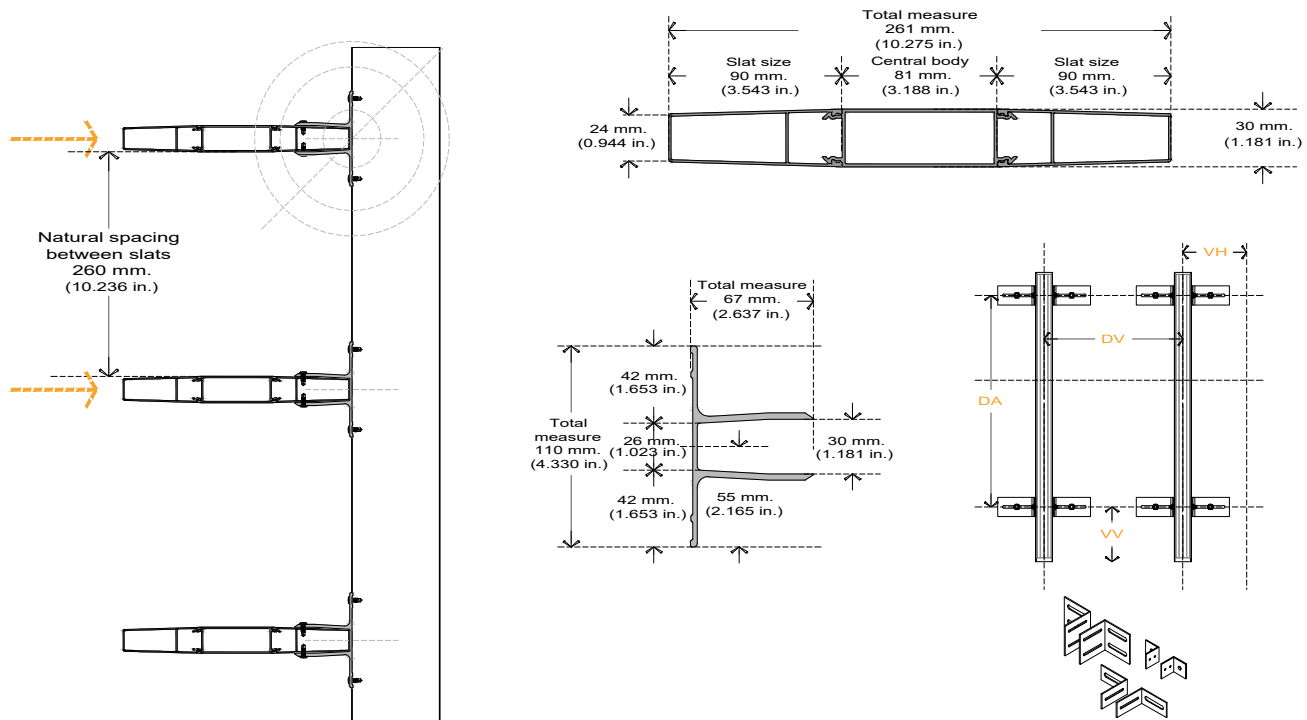
Project:
Location:
Authorization:

Date: October 2020
Dimensions: mm. (in.)



SUNSET V260

SLAT INSTALLATION OPTIONS AND COMBINATIONS



Number of slats per meter (SPM)

	3.85	3.70	3.57
Clearance between slats	259.70 mm. (10.22 in.)	289.90 mm. (11.41 in.)	280.10 mm. (11.02 in.)
Free area (%)	91.99%	92.82%	92.57%
DA Maximum distance between anchors of brackets 76 x 44 (2.99x1.73 in.)		2700 mm. (106.29 in.)	
DA Maximum distance between anchors of brackets 100 x 44 (3.93x1.73 in.)		3300 mm. (129.92 in.)	
DA Maximum distance between anchors of brackets 110 x 40 (4.33x1.57 in.)		4000 mm. (157.48 in.)	
DV Maximum distance between slat attachment horizontal installation		3000 mm. (118.11 in.)	
DV Maximum distance between slat attachment vertical installation		3500 mm. (137.79 in.)	
Emittance according to ASTM C 1371 / Clear anodized and raw aluminium		0.645	
Reflectance according to ASTM C 1549 / Clear anodized and raw aluminium		0.759	
Accelerated aging to ASTM G151 / Clear anodized and raw aluminium		0.000	

Extruded aluminium alloy 6063, tempering T5, post-consumption content 51.60%, pre-consumption content 13.70%

Technical department Simpleyfacil®
Specification workshop

Revision:
Revision:

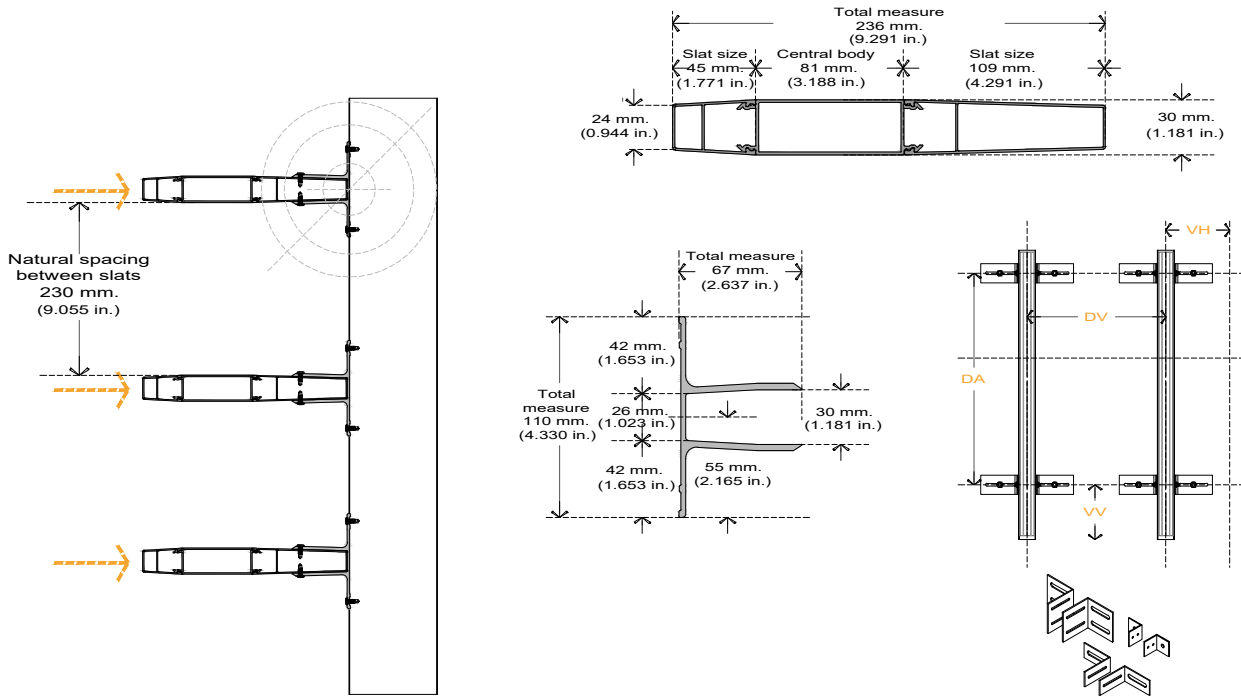
Project:
Location:
Authorization:

Date: October 2020
Dimensions: mm. (in.)



SUNSET V230

SLAT INSTALLATION OPTIONS AND COMBINATIONS



Number of slats per meter (SPM)

	4.34	4.09	3.93
Clearance between slats	230.40 mm. (9.07 in.)	244.50 mm. (9.62 in.)	254.50 mm. (10.01 in.)
Free area (%)	90.97%	91.49%	91.83%
DA Maximum distance between anchors of brackets 76 x 44 (2.99x1.73 in.)		2700 mm. (106.29 in.)	
DA Maximum distance between anchors of brackets 100 x 44 (3.93x1.73 in.)		3300 mm. (129.92 in.)	
DA Maximum distance between anchors of brackets 110 x 40 (4.33x1.57 in.)		4000 mm. (157.48 in.)	
DV Maximum distance between slat attachment horizontal installation		3000 mm. (118.11 in.)	
DV Maximum distance between slat attachment vertical installation		3500 mm. (137.79 in.)	
Emittance according to ASTM C 1371 / Clear anodized and raw aluminium		0.645	
Reflectance according to ASTM C 1549 / Clear anodized and raw aluminium		0.759	
Accelerated aging to ASTM G151 / Clear anodized and raw aluminium		0.000	

Extruded aluminium alloy 6063, tempering T5, post-consumption content 51.60%, pre-consumption content 13.70%

Technical department Simpleyfacil®
Specification workshop

Revision:
Revision:

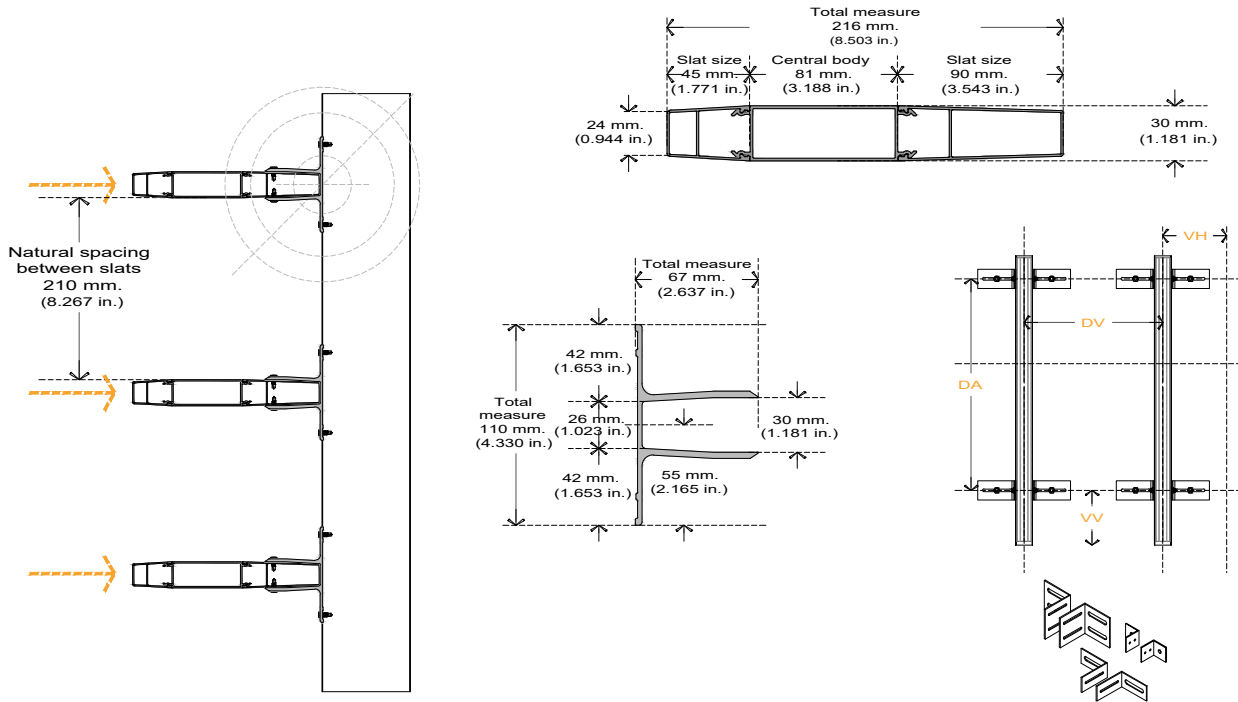
Project:
Location:
Authorization:

Date: October 2020
Dimensions: mm. (in.)



SUNSET V210

SLAT INSTALLATION OPTIONS AND COMBINATIONS



Number of slats per meter (SPM)

	4.75	4.54	4.35
Clearance between slats	210.50 mm. (8.28 in.)	220.30 mm. (8.67 in.)	229.90 mm. (9.05 in.)
Free area (%)	90.12%	90.56%	90.95%
DA Maximum distance between anchors of brackets 76 x 44 (2.99x1.73 in.)		2700 mm. (106.29 in.)	
DA Maximum distance between anchors of brackets 100 x 44 (3.93x1.73 in.)		3300 mm. (129.92 in.)	
DA Maximum distance between anchors of brackets 110 x 40 (4.33x1.57 in.)		4000 mm. (157.48 in.)	
DV Maximum distance between slat attachment horizontal installation		3000 mm. (118.11 in.)	
DV Maximum distance between slat attachment vertical installation		3500 mm. (137.79 in.)	
Emittance according to ASTM C 1371 / Clear anodized and raw aluminium		0.645	
Reflectance according to ASTM C 1549 / Clear anodized and raw aluminium		0.759	
Accelerated aging to ASTM G151 / Clear anodized and raw aluminium		0.000	

Extruded aluminium alloy 6063, tempering T5, post-consumption content 51.60%, pre-consumption content 13.70%

Technical department Simpleyfacil®
Specification workshop

Revision:
Revision:

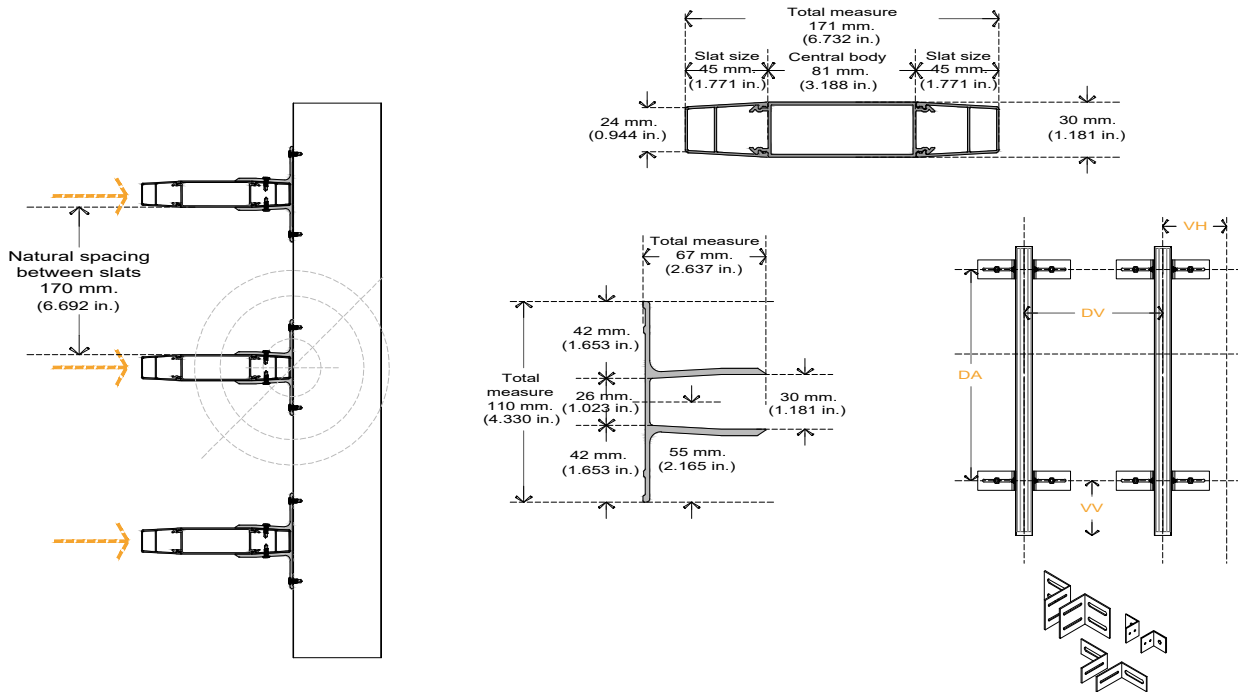
Project:
Location:
Authorization:

Date: October 2020
Dimensions: mm. (in.)



SUNSET V170

SLAT INSTALLATION OPTIONS AND COMBINATIONS



Number of slats per meter (SPM)

	5.88	5.55	5.26
Clearance between slats	170.10 mm. (6.69 in.)	180.20 mm. (7.09 in.)	190.10 mm. (7.48 in.)
Free area (%)	87.77%	88.46%	89.06%
DA Maximum distance between anchors of brackets 76 x 44 (2.99x1.73 in.)		2700 mm. (106.29 in.)	
DA Maximum distance between anchors of brackets 100 x 44 (3.93x1.73 in.)		3300 mm. (129.92 in.)	
DA Maximum distance between anchors of brackets 110 x 40 (4.33x1.57 in.)		4000 mm. (157.48 in.)	
DV Maximum distance between slat attachment horizontal installation		3000 mm. (118.11 in.)	
DV Maximum distance between slat attachment vertical installation		3500 mm. (137.79 in.)	
Emittance according to ASTM C 1371 / Clear anodized and raw aluminium		0.645	
Reflectance according to ASTM C 1549 / Clear anodized and raw aluminium		0.759	
Accelerated aging to ASTM G151 / Clear anodized and raw aluminium		0.000	
Extruded aluminium alloy 6063, tempering T5, post-consumption content 51.60%, pre-consumption content 13.70%			

Technical department Simpleyfacil®
Specification workshop

Revision:
Revision:

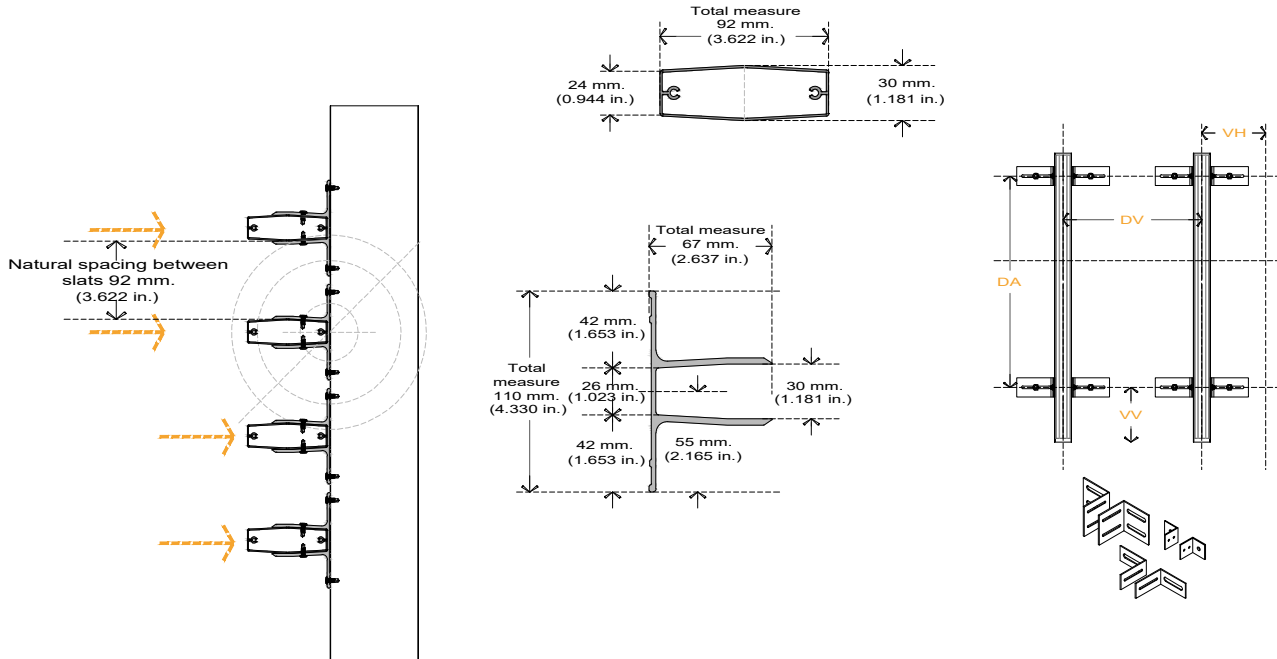
Project:
Location:
Authorization:

Date: October 2020
Dimensions: mm. (in.)



SUNSET V92

SLAT INSTALLATION OPTIONS AND COMBINATIONS



Number of slats per meter (SPM)

	10	9.09	8.33
Clearance between slats	100.00 mm. (3.93 in.)	110.00 mm. (4.33 in.)	120.00 mm. (4.72 in.)
Free area (%)	79.20%	81.09%	82.67%
DA Maximum distance between anchors of brackets 76 x 44 (2.99x1.73 in.)		2700 mm. (106.29 in.)	
DA Maximum distance between anchors of brackets 100 x 44 (3.93x1.73 in.)		3300 mm. (129.92 in.)	
DA Maximum distance between anchors of brackets 110 x 40 (4.33x1.57 in.)		4000 mm. (157.48 in.)	
DV Maximum distance between slat attachment horizontal installation		3000 mm. (118.11 in.)	
DV Maximum distance between slat attachment vertical installation		3000 mm. (118.11 in.)	
Emittance according to ASTM C 1371 / Clear anodized and raw aluminium		0.645	
Reflectance according to ASTM C 1549 / Clear anodized and raw aluminium		0.759	
Accelerated aging to ASTM G151 / Clear anodized and raw aluminium		0.000	

Extruded aluminium alloy 6063, tempering T5, post-consumption content 51.60%, pre-consumption content 13.70%

Technical department Simpleyfacil®
Specification workshop

Revision:
Revision:

Project:
Location:
Authorization:

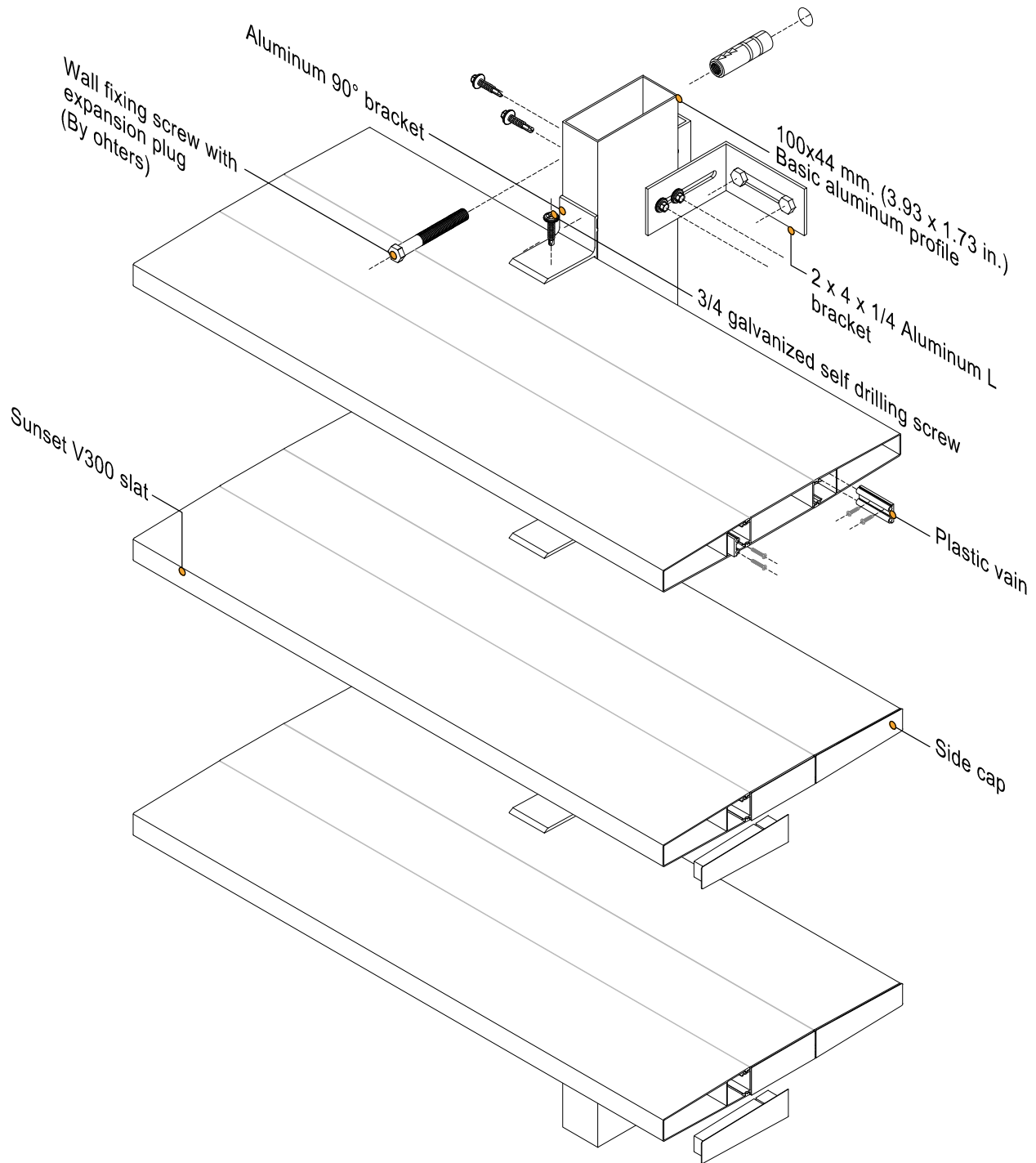
Date: October 2020
Dimensions: mm. (in.)



SUNSET V

ANCHORING TO SLABS WITH STRUCTURAL SUPPORT 100 X 44 mm. (3.93X1.73 in.)

Page 10-17



Technical department Simpleyfacil®
Specification workshop

Project:
Location:
Authorization:

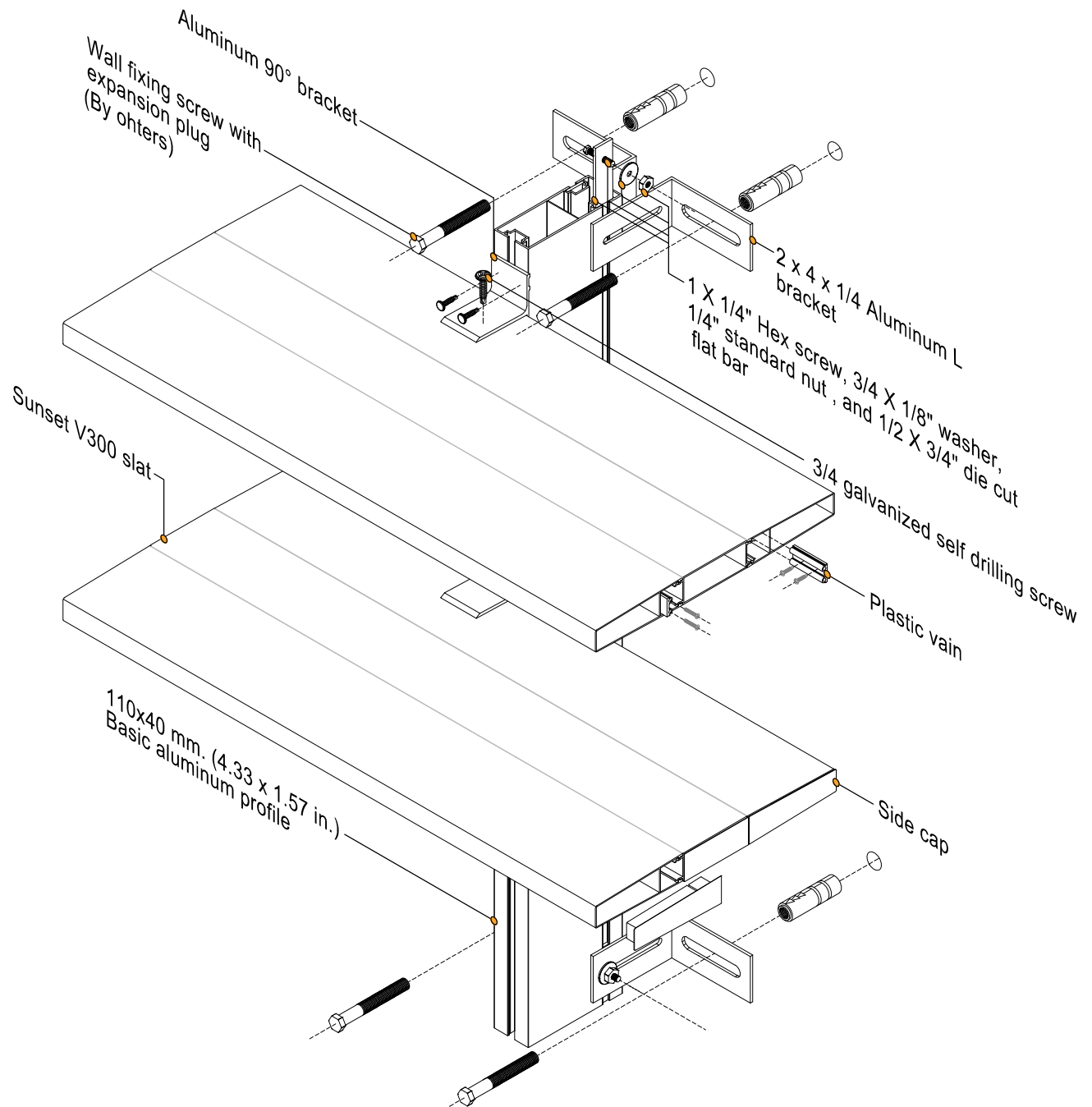
Revision:
Revision:
Date: October 2020
Dimensions: mm. (in.)



SUNSET V

ACHORING TO SLABS WITH STRUCTURAL SUPPORT 110 X 40 mm. (4.33X1.57 in.)

Page 11-17



Technical department Simpleyfacil®
Specification workshop

Project:
Location:
Authorization:

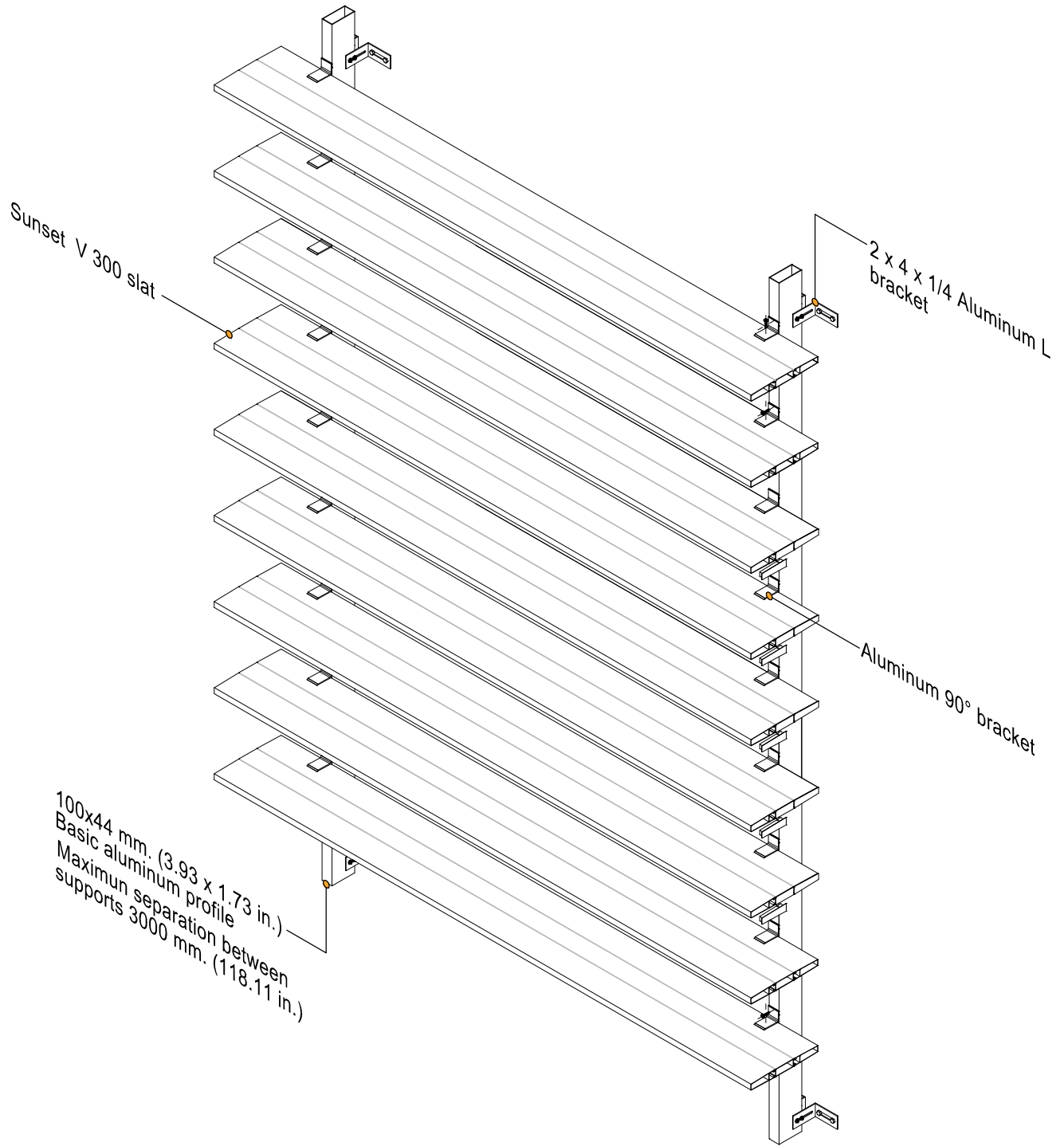
Revision:
Revision:
Date: October 2020
Dimensions: mm. (in.)



SUNSET V

FACADE PROPOSAL (ALUMINUM 90° BRACKETS)

Page 12-17



Technical department Simpleyfacil®
Specification workshop

Project:
Location:
Authorization:

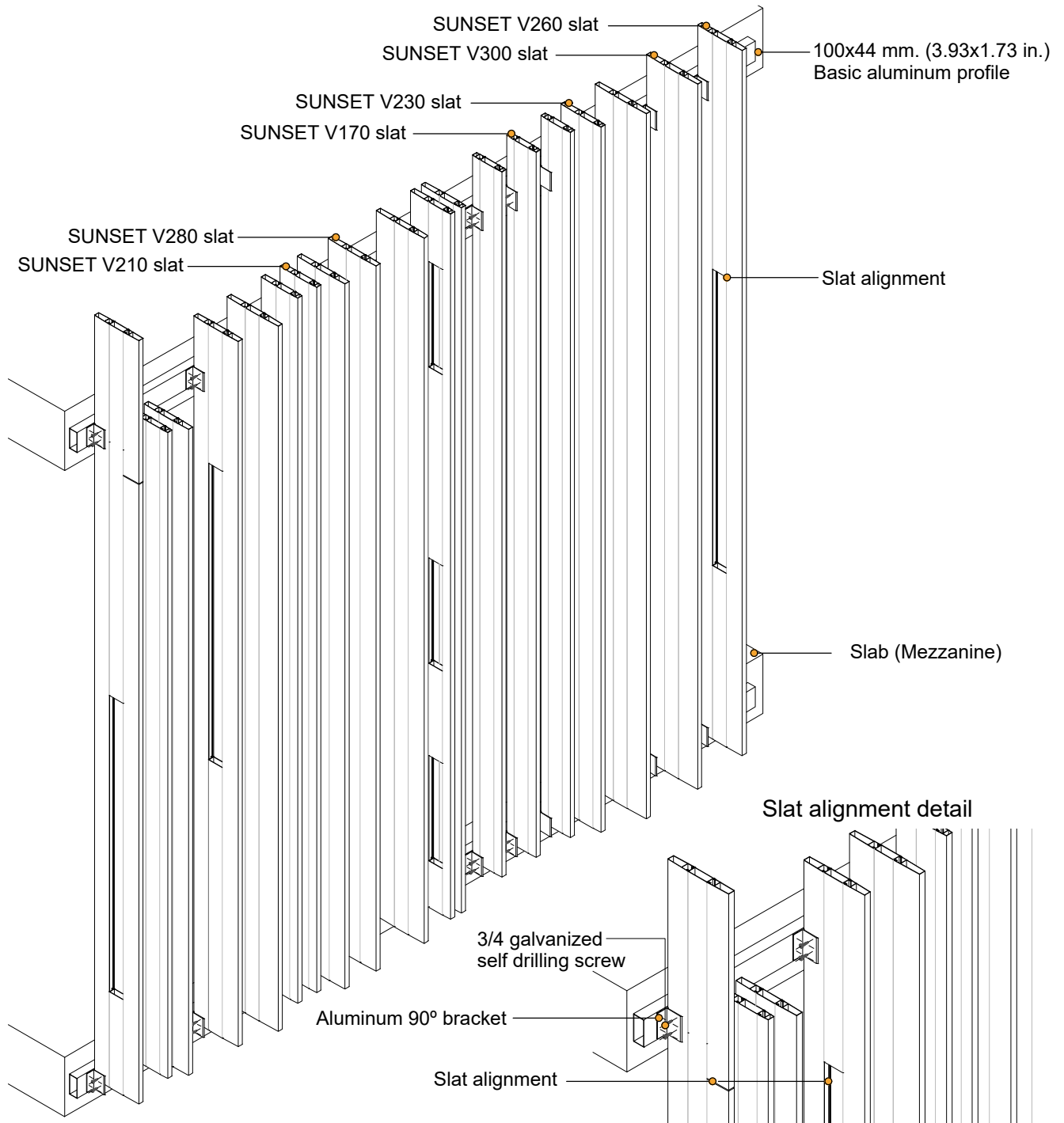
Revision:
Revision:
Date: October 2020
Dimensions: mm. (in.)



SUNSET V

FACADE PROPOSAL (COMBINATION OF SLATS)

Page 13-17



Technical department Simpleyfacil®
Specification workshop

Project:
Location:
Authorization:

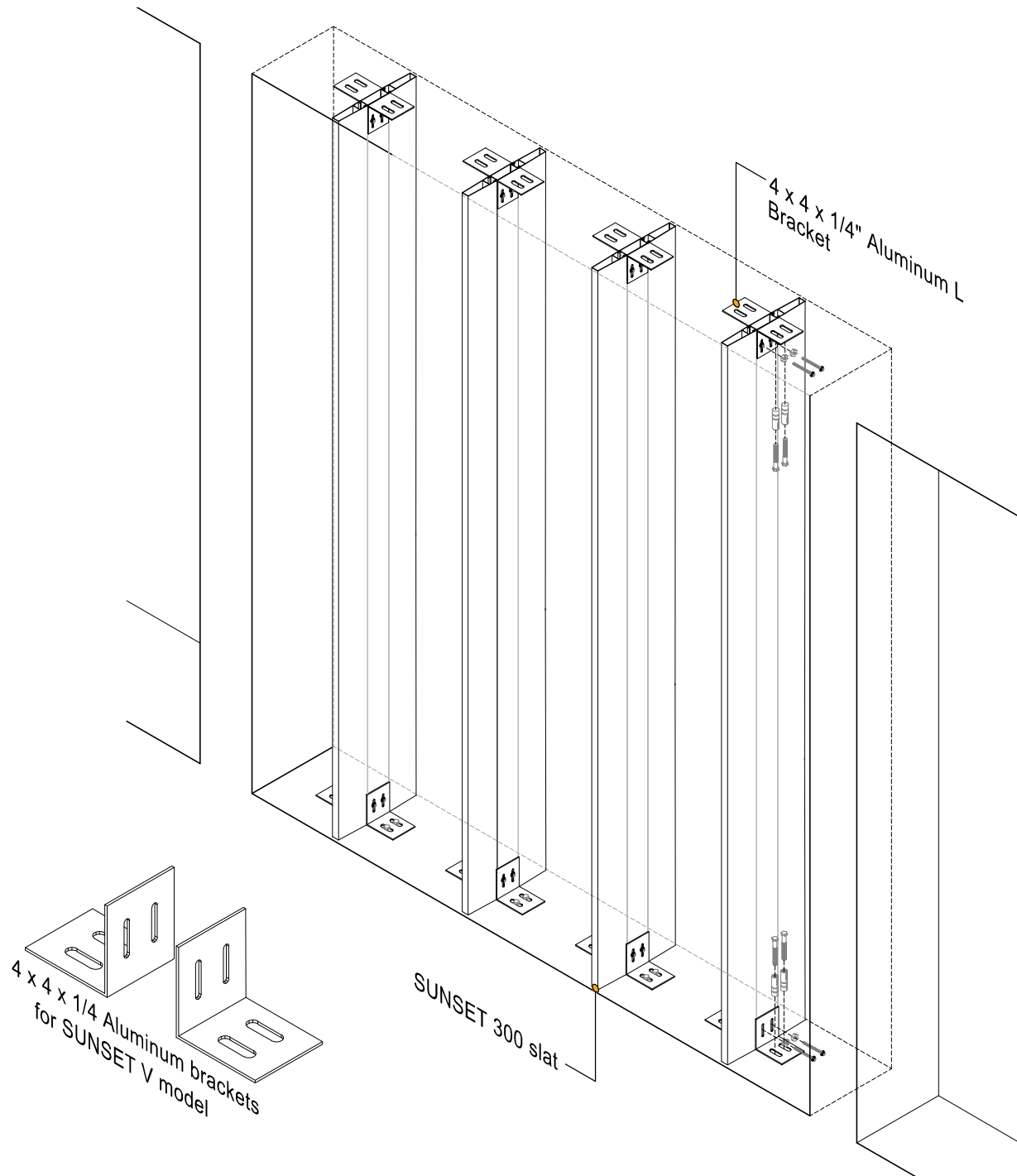
Revision:
Revision:
Date: October 2020
Dimensions: mm. (in.)



SUNSET V

FACADE PROPOSAL (SLATS ANCHORED TO BUILDING SPAN)

Page 14-17



Technical department Simpleyfacil®
Specification workshop

Project:
Location:
Authorization:

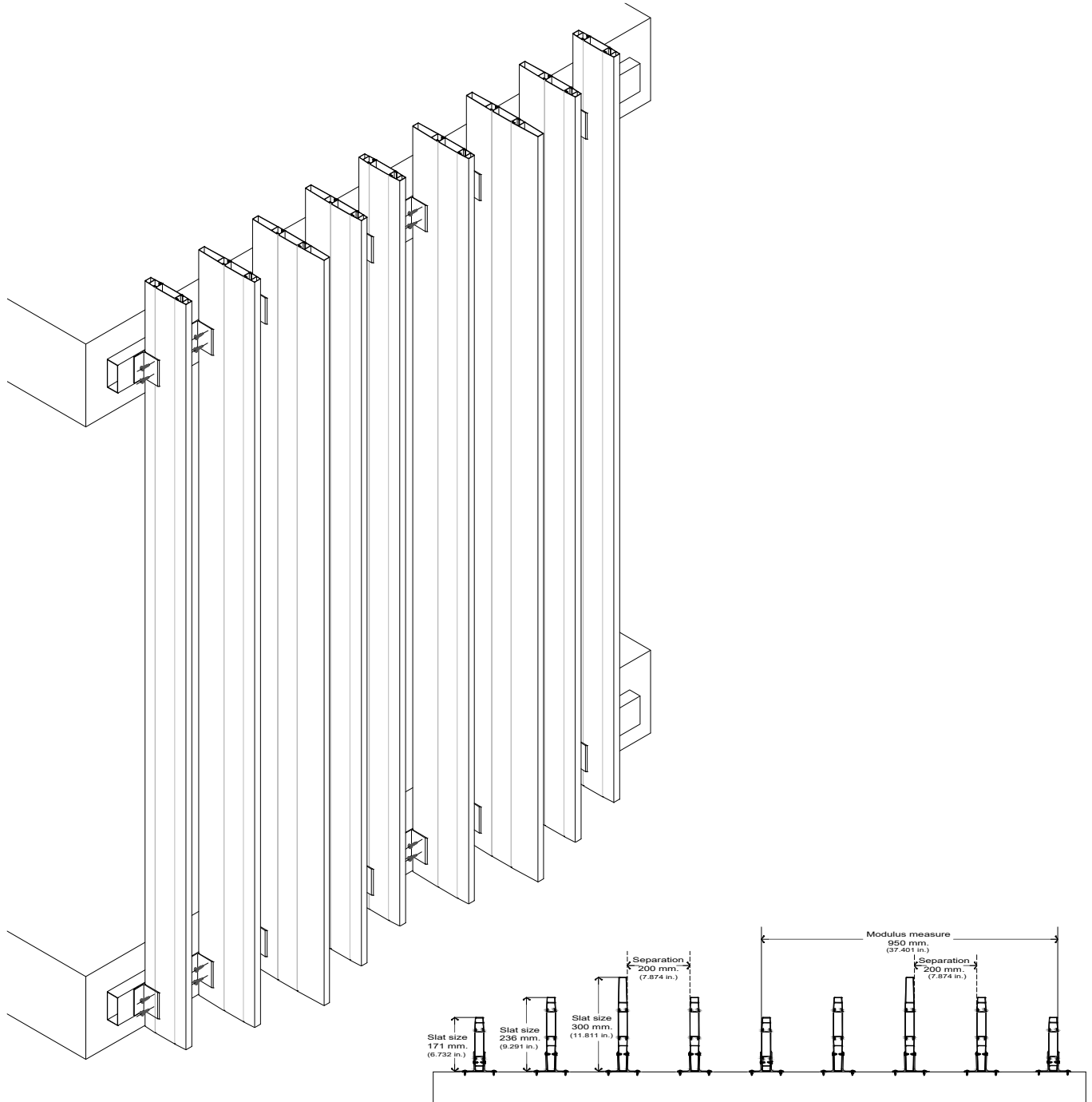
Revision:
Revision:
Date: October 2020
Dimensions: mm. (in.)



SUNSET V

FACADE PROPOSAL (SLATS WITH GRADIENT)

Page 15-17



Technical department Simpleyfacil®
Specification workshop

Project:
Location:
Authorization:

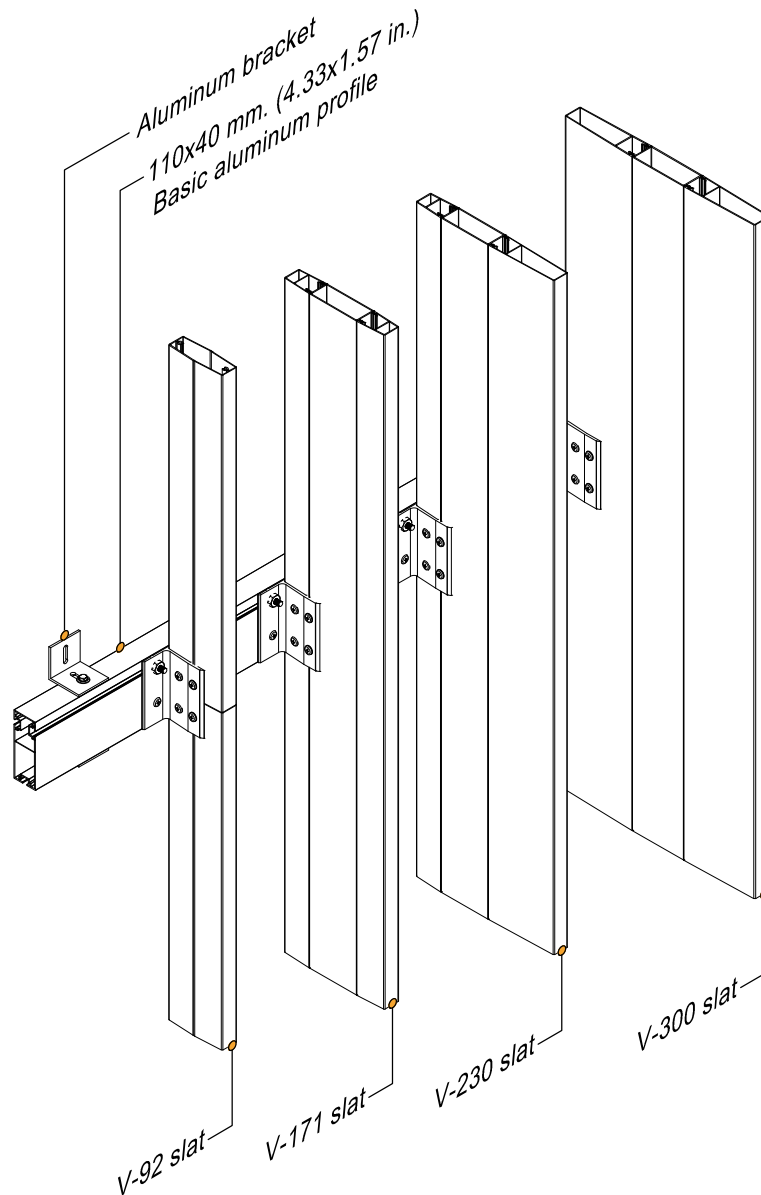
Revision:
Revision:
Date: October 2020
Dimensions: mm. (in.)



SUNSET V

110X40 BASIC SUPPORT, ANCHORED TO MEZZANINE OR WALLS ON SITE

Page 16-17



Technical department Simpleyfacil®
Specification workshop

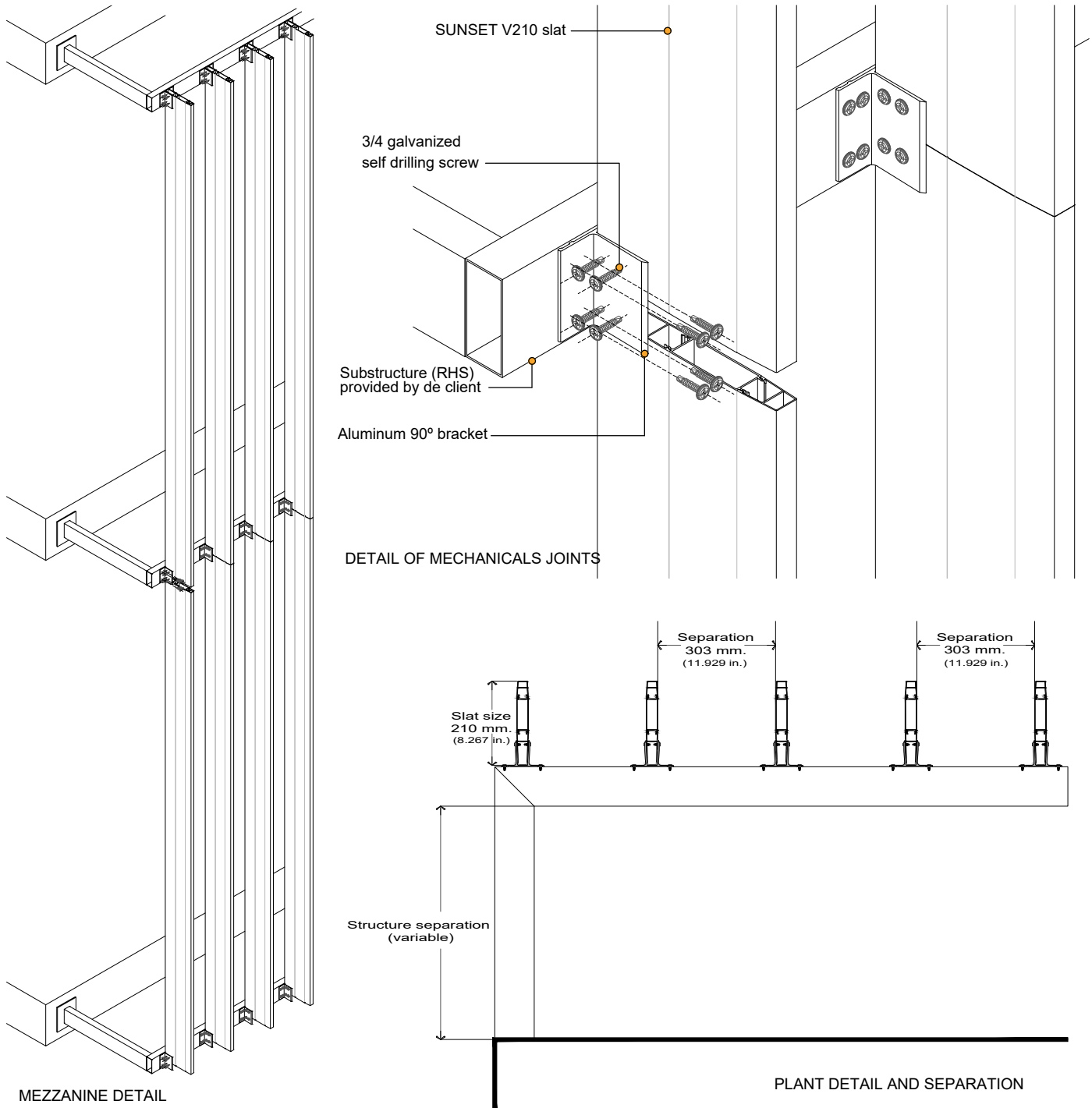
Project:
Location:
Authorization:

Revision:
Revision:
Date: October 2020
Dimensions: mm. (in.)



SUNSET V

SUNSET V 210 SLATS AND THEIR JOINTS WITH ALUMINUM 90° BRACKETS ON A STEEL SUBSTRUCTURE



Technical department Simpleyfacil®
Specification workshop

Project:
Location:
Authorization:

Revision:
Revision:
Date: October 2020
Dimensions: mm. (in.)

