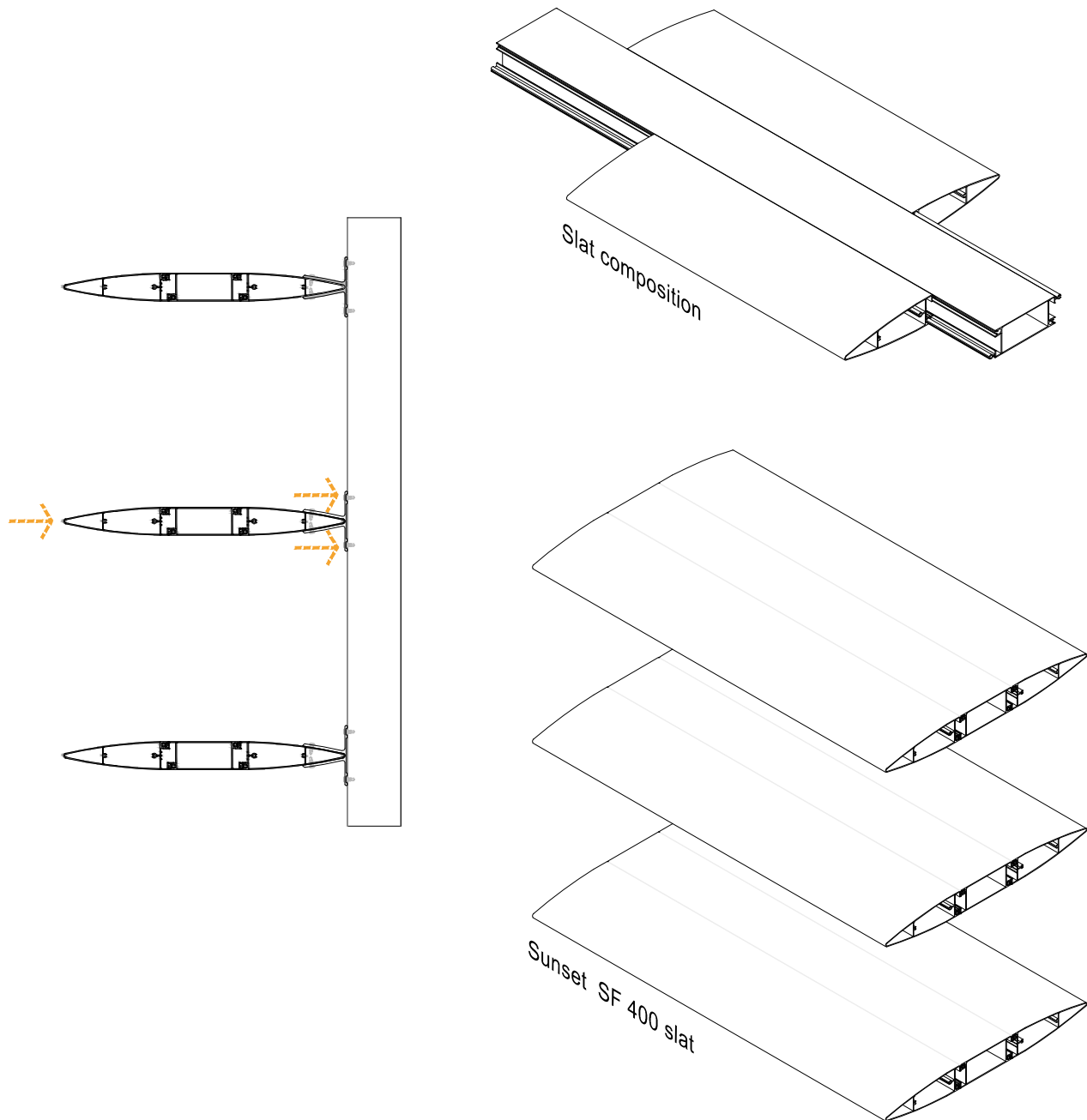


SUNSET SF 400

MECHANICAL ASSEMBLY SYSTEM

Page 01-13



Technical department Simpleyfacil®
Specification workshop

Project:
Location:
Authorization:

Revision:
Revision:
Date: October 2020
Dimensions: mm. (in.)



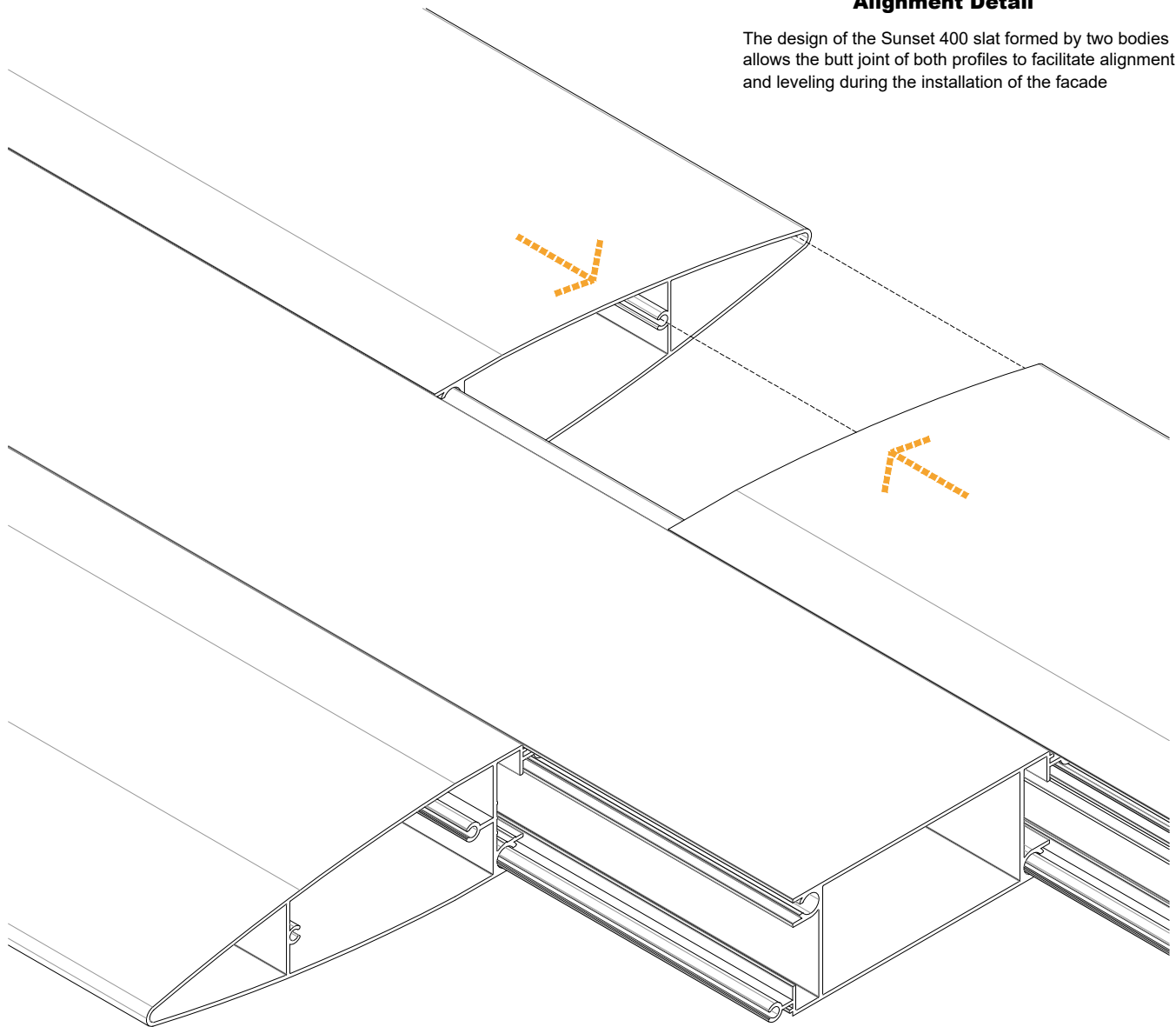
SUNSET SF 400

BUTT JOINT INSTALLATION FOR SLAT ALIGNMENT

Page 02-13

Alignment Detail

The design of the Sunset 400 slat formed by two bodies allows the butt joint of both profiles to facilitate alignment and leveling during the installation of the facade



Technical department Simpleyfacil®
Specification workshop

Project:
Location:
Authorization:

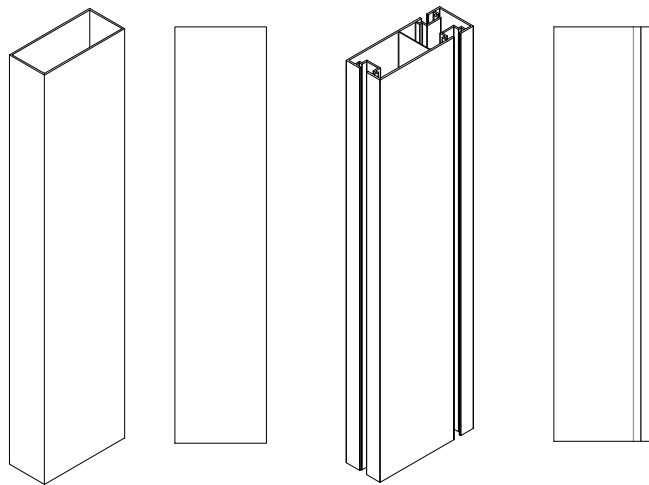
Revision:
Revision:
Date: October 2020
Dimensions: mm. (in.)

 **simple**
architectural®
by simpleyfacil

SUNSET SF 400

SELECTION OF SUPPORTS ACCORDING TO THE SEPARATION BETWEEN ANCHORS

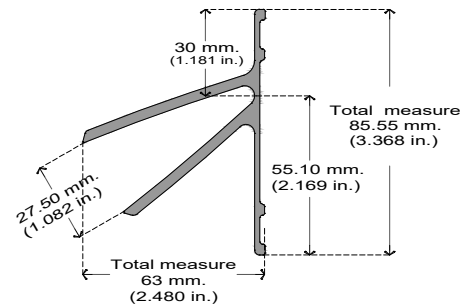
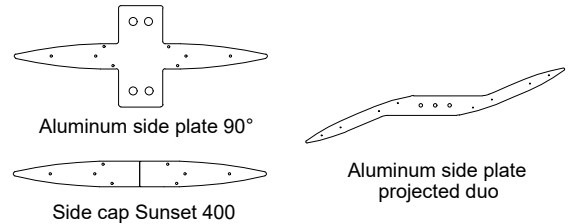
Components



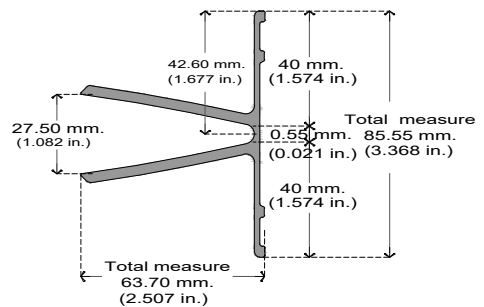
Option



Option



Aluminum 60° bracket



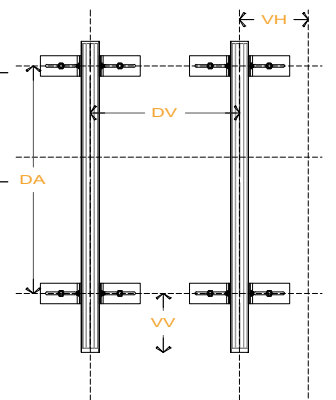
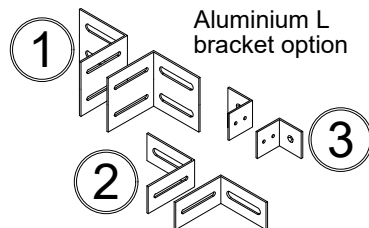
Aluminum 90° bracket

Distances for installation of structural supports

Nm	Structural support options	Maximum distance (DA)	Aluminum 90° bracket
B	Basic support 100X44 (3.93x1.73 in.)	3300 mm. (129.92 in.)	
C	Basic facade support 110X40 (4.33x1.57 in.)	4000 mm. (157.48 in.)	
D	Aluminum component anchored to construction site	>4000 mm.	
	Maximum distance between slat attachment horizontal installation	3500 mm. (137.79 in.)	
	Maximum distance between slat attachment vertical installation	4000 mm. (157.48 in.)	

- 1 Aluminium L bracket 4 x 4 x 1/4"
- 2 Aluminium L bracket 2 x 4 x 1/4"
- 3 Aluminium L bracket 2 x 2 x 1/4"

Nm	Structural support options
DA	Maximum distance between structural support anchors
DV	Maximum distance between slat attachment
VV	Maximum vertical cantilever (support) 500 mm. (19.65 in.)
VH	Maximum horizontal cantilever



Technical department Simpleyfacil®
Specification workshop

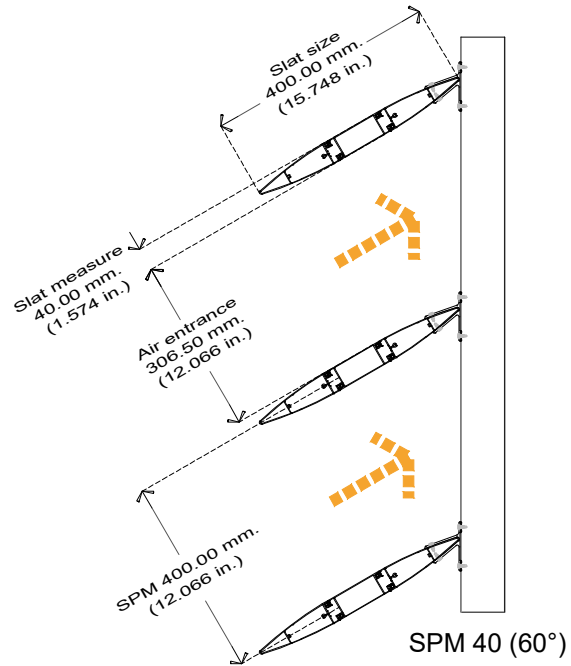
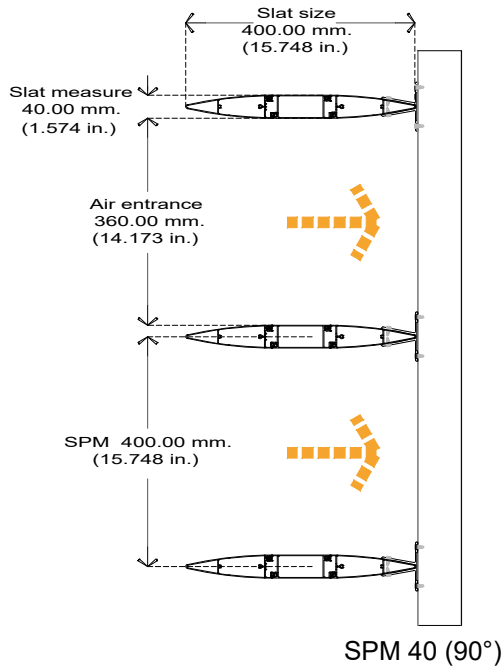
Revision:
Revision:

Project:
Location:
Authorization:

Date: October 2020
Dimensions: mm. (in.)



SUNSET SF 400



Number of slats per meter (SPM)

2.50

Clearance between slats	400.00 mm. (15.748 in.)
Free area (%)	90.00%
DA Maximum distance between anchors, basic support installation (76 x 44 - 2.99x1.73 in.)	2700 mm. (106.29 in.)
DA Maximum distance between anchors, basic support installation (100 x 44 - 3.93x1.73 in.)	3300 mm. (129.92 in.)
DA Maximum distance between anchors, basic support installation (110 x 40 - 4.33x1.57 in.)	4000 mm. (157.48 in.)
DV Maximum distance between slat attachment horizontal installation	4000 mm. (157.48 in.)
DV Maximum distance between slat attachment vertical installation	3500 mm. (137.79 in.)
Emittance according to ASTM C 1371 / Clear anodized and raw aluminium	0.645
Reflectance according to ASTM C 1549 / Clear anodized and raw aluminium	0.759
Accelerated aging to ASTM G151 / Clear anodized and raw aluminium	0.000

Extruded aluminium alloy 6063, tempering T5, post-consumption content 51.60%, pre-consumption content 13.70% Snap-on anchored slats to vertical supports, without screws to avoid risk of oxidation

Technical department Simpleyfacil®
Specification workshop

Revision:
Revision:

Project:
Location:
Authorization:

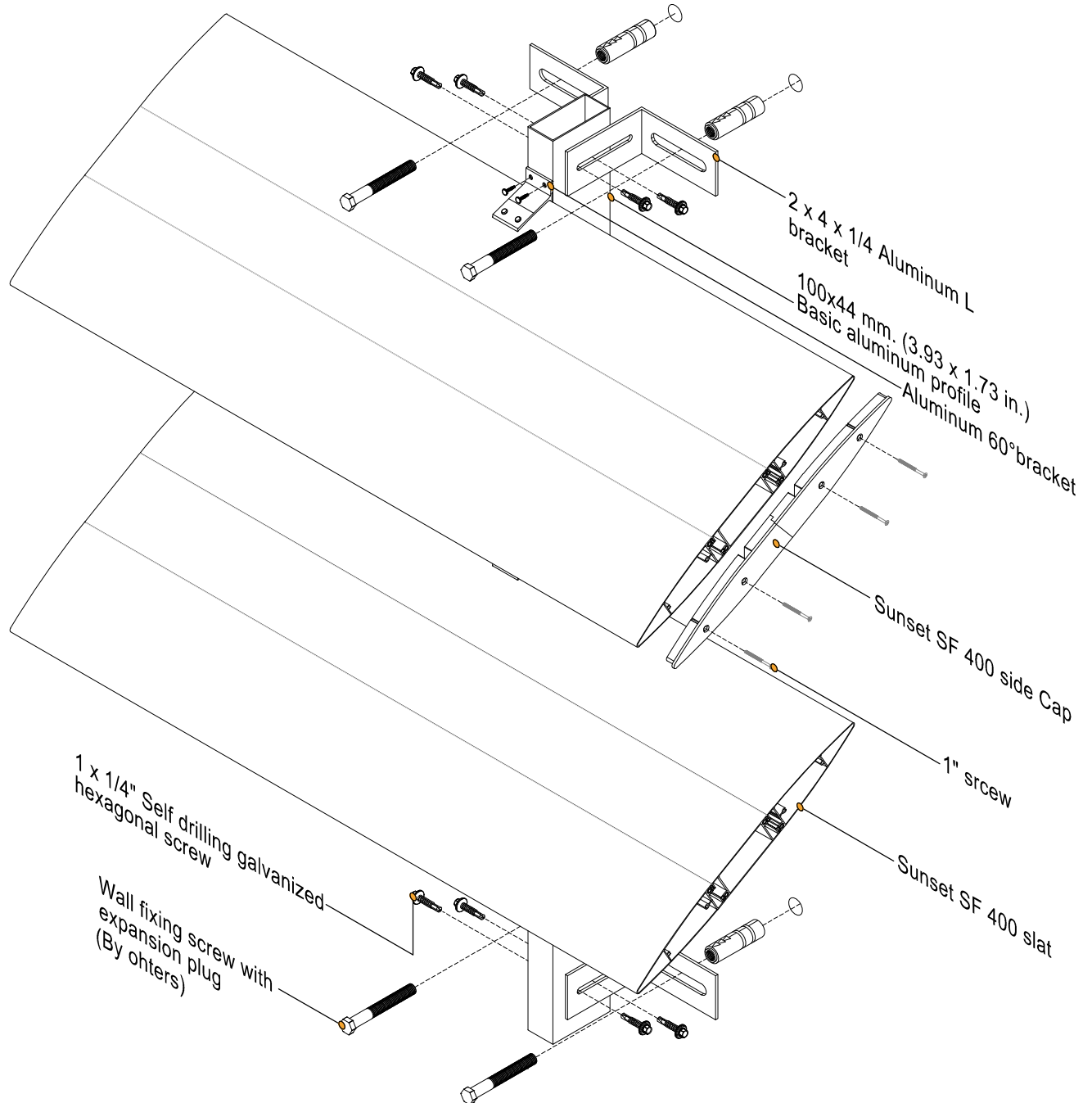
Date: October 2020
Dimensions: mm. (in.)



SUNSET SF 400

ANCHORING TO SLABS WITH STRUCTURAL SUPPORT 100 X 44 mm. (3.93X1.73 in.)

Page 05-13



Technical department Simpleyfacil®
Specification workshop

Project:
Location:
Authorization:

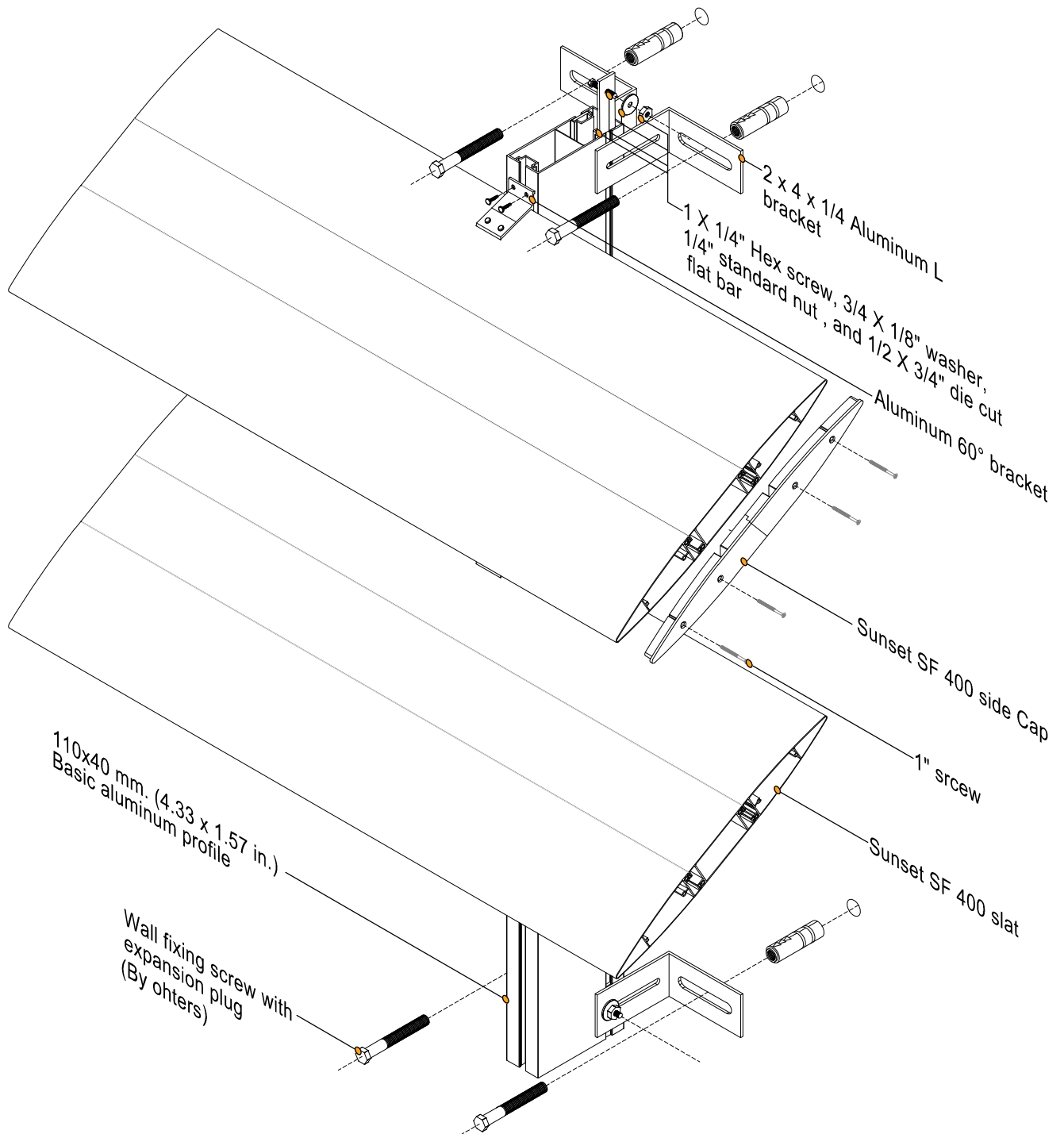
Revision:
Revision:
Date: October 2020
Dimensions: mm. (in.)

 **simple**
architectural®
by simpleyfacil

SUNSET SF 400

ACHORING TO SLABS WITH STRUCTURAL SUPPORT 110 X 40 mm. (4.33X1.57 in.)

Page 06-13



Technical department Simpleyfacil®
Specification workshop

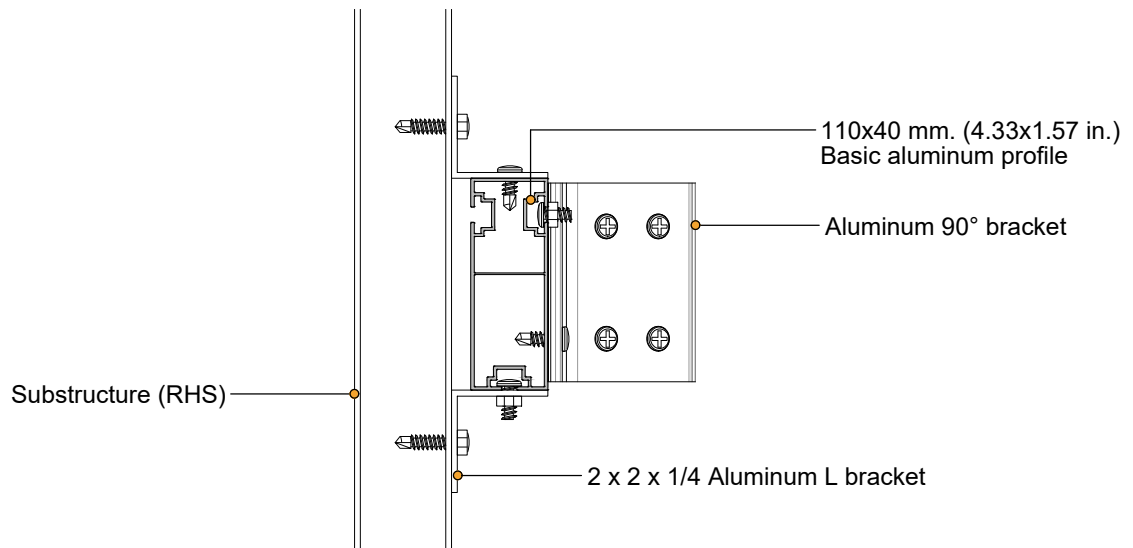
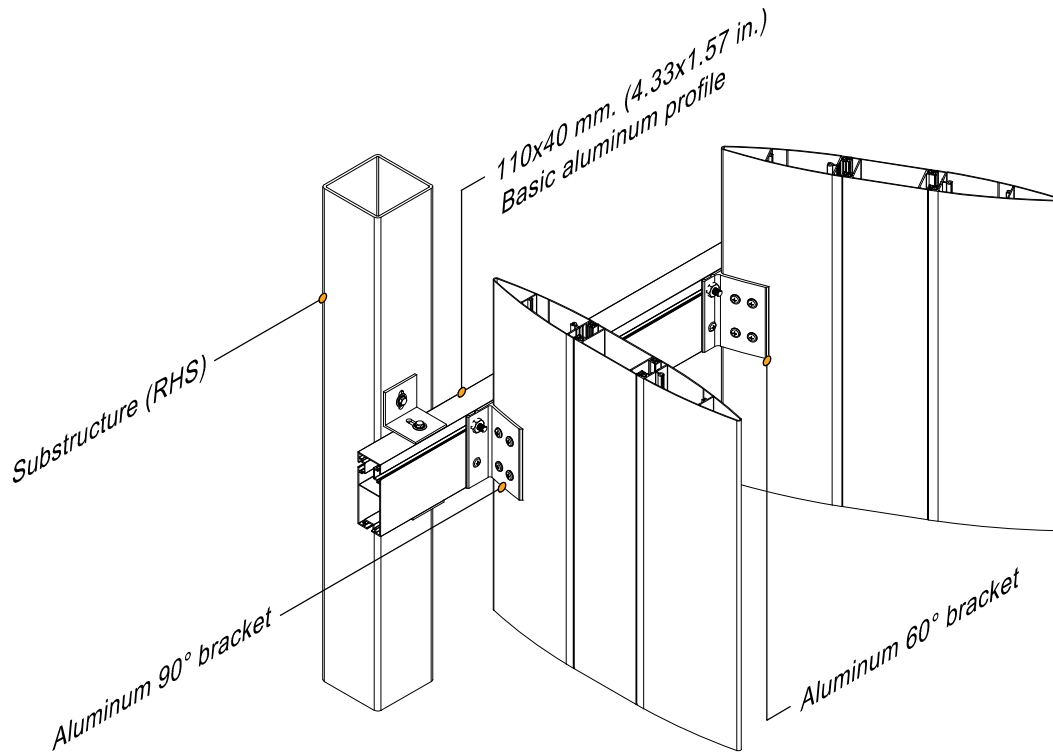
Project:
Location:
Authorization:

Revision:
Revision:
Date: October 2020
Dimensions: mm. (in.)



SUNSET SF 400

110X40 BASIC SUPPORT, ANCHORED TO STEEL SUBSTRUCTURE PROVIDED BY THE CUSTOMER



Technical department Simpleyfacil®
Specification workshop

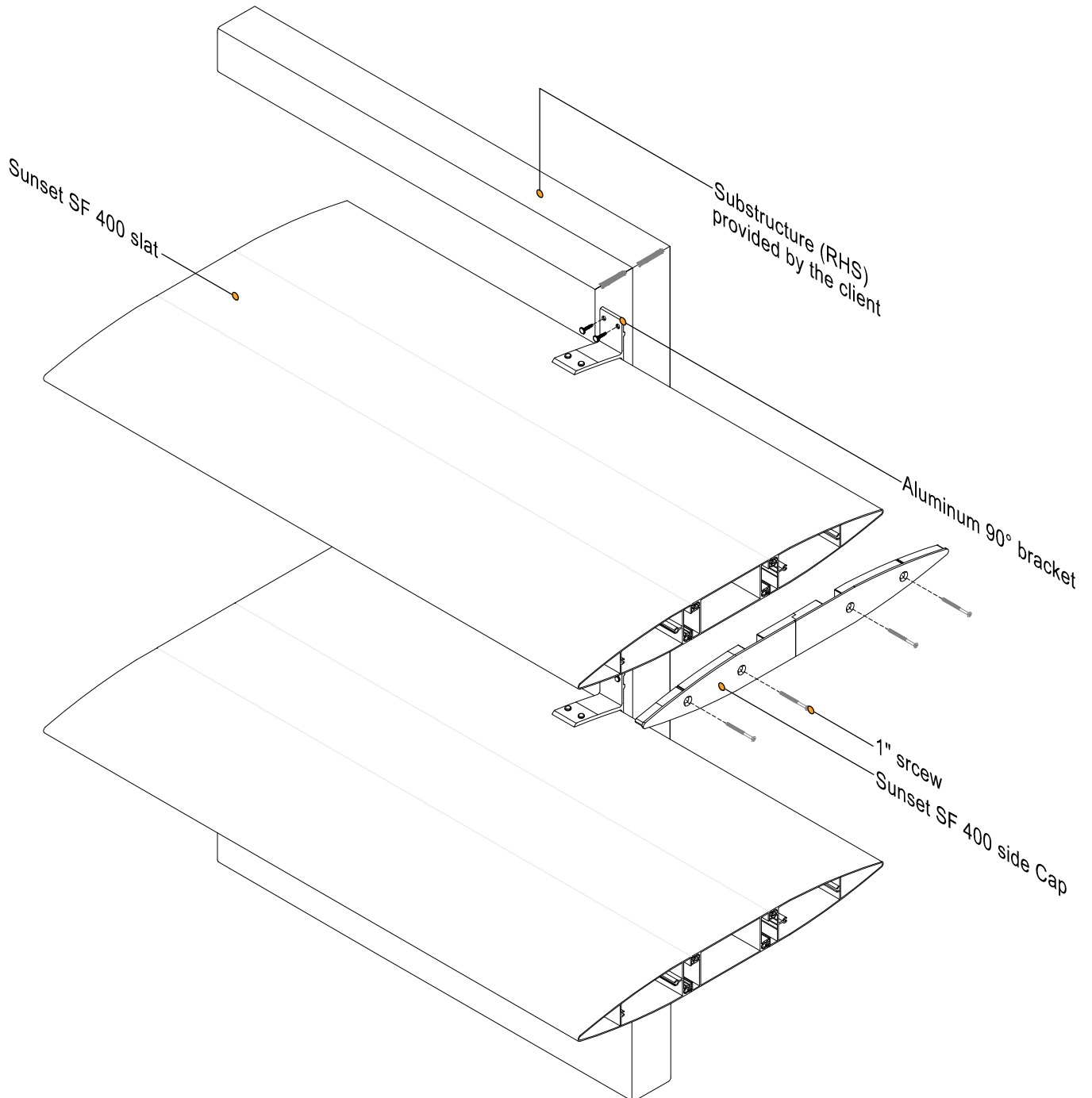
Project:
Location:
Authorization:

Revision:
Revision:
Date: October 2020
Dimensions: mm. (in.)

SUNSET SF 400

ANCHORAGE TO SUB STRUCTURE (RHS) PROVIDED BY THE CLIENT

Page 08-13



Technical department Simpleyfácil®
Specification workshop

Project:
Location:
Authorization:

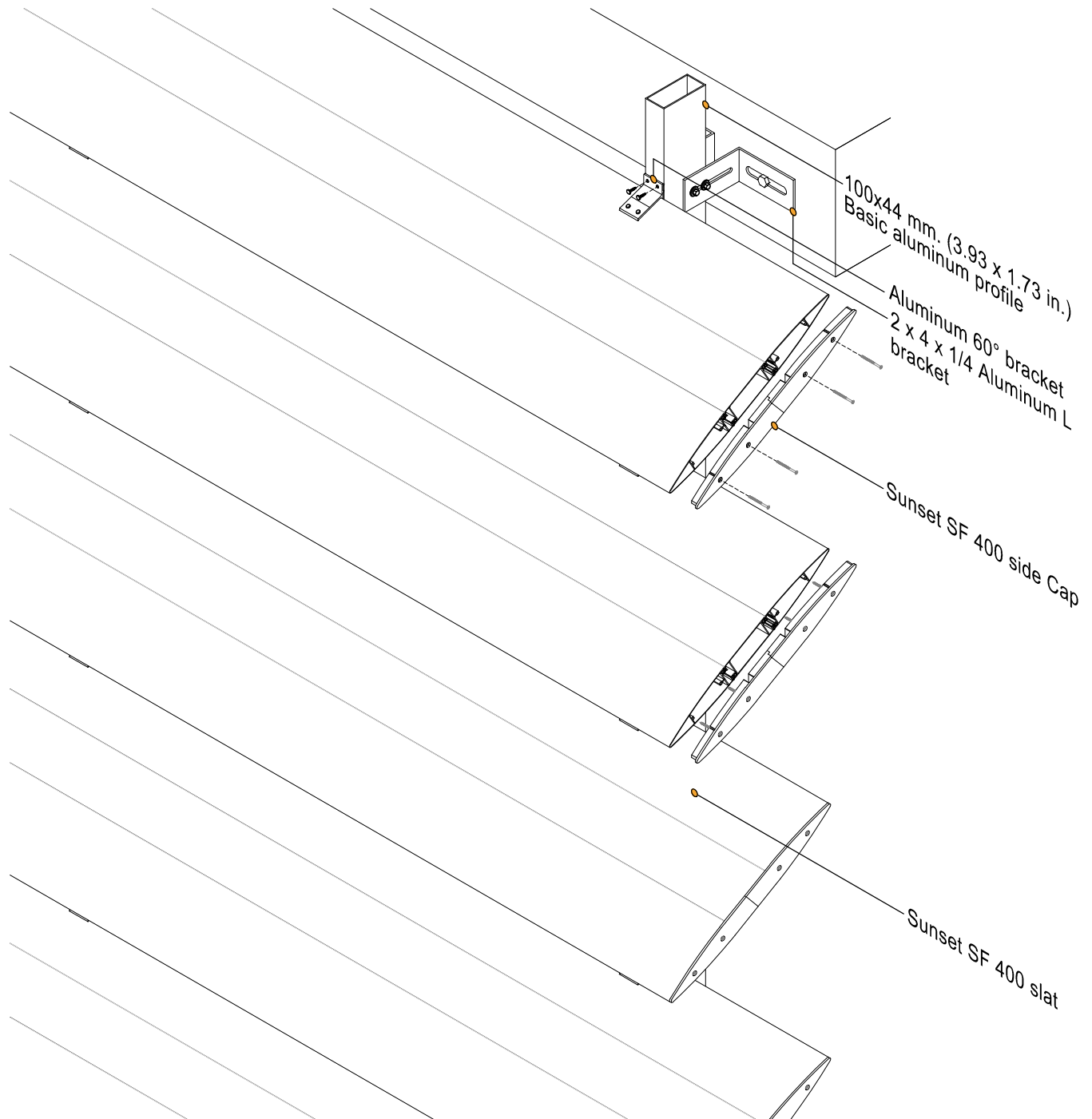
Revision:
Revision:
Date: October 2020
Dimensions: mm. (in.)



SUNSET SF 400

FACADE PROPOSAL (SLAT AT 60°)

Page 09-13



Technical department Simpleyfacil®
Specification workshop

Project:
Location:
Authorization:

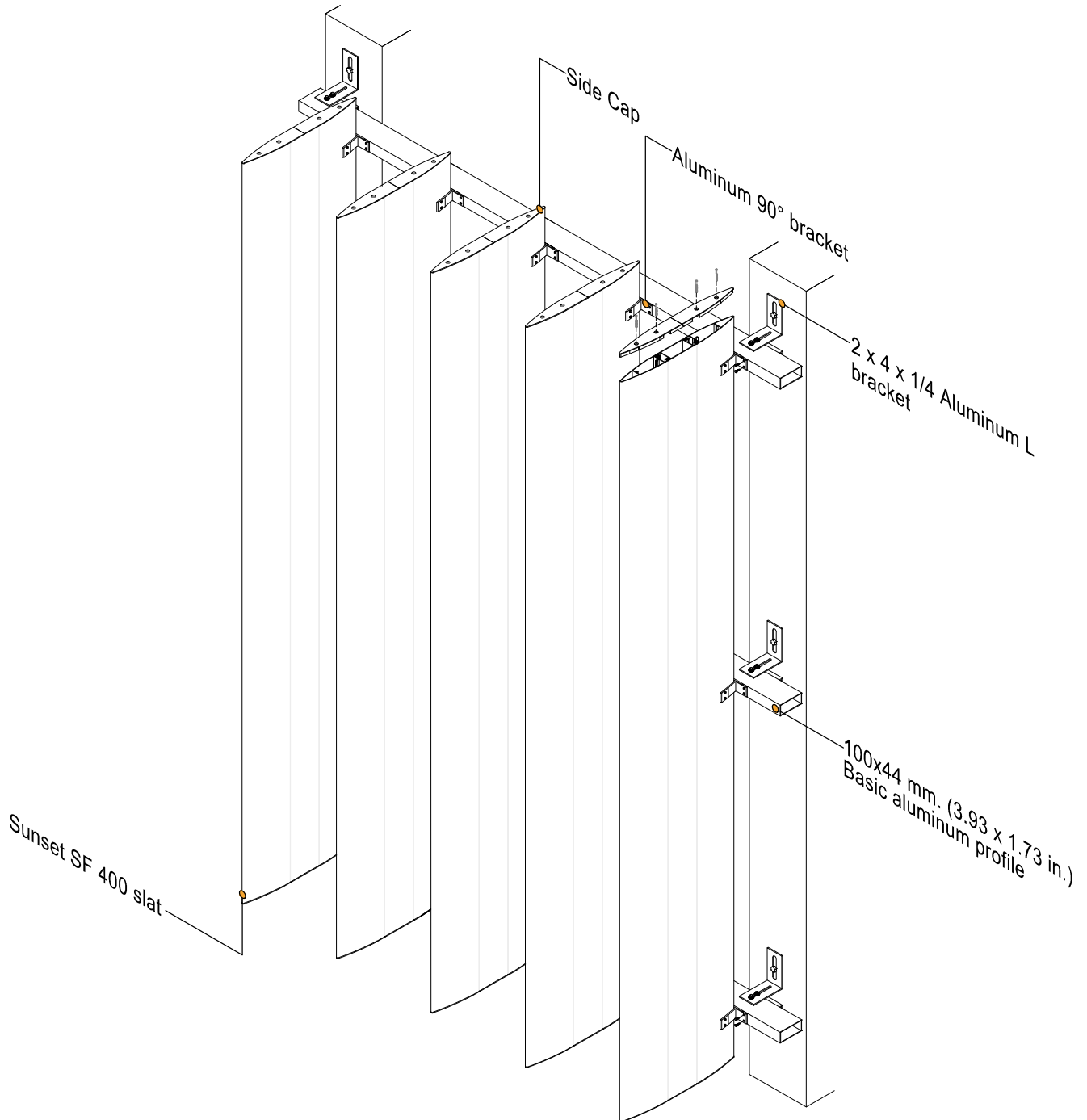
Revision:
Revision:
Date: October 2020
Dimensions: mm. (in.)



SUNSET SF 400

VERTICAL FACADE PROPOSAL (ALUMINUM 90° BRACKET)

Page 10-13



Technical department Simpleyfacil®
Specification workshop

Project:
Location:
Authorization:

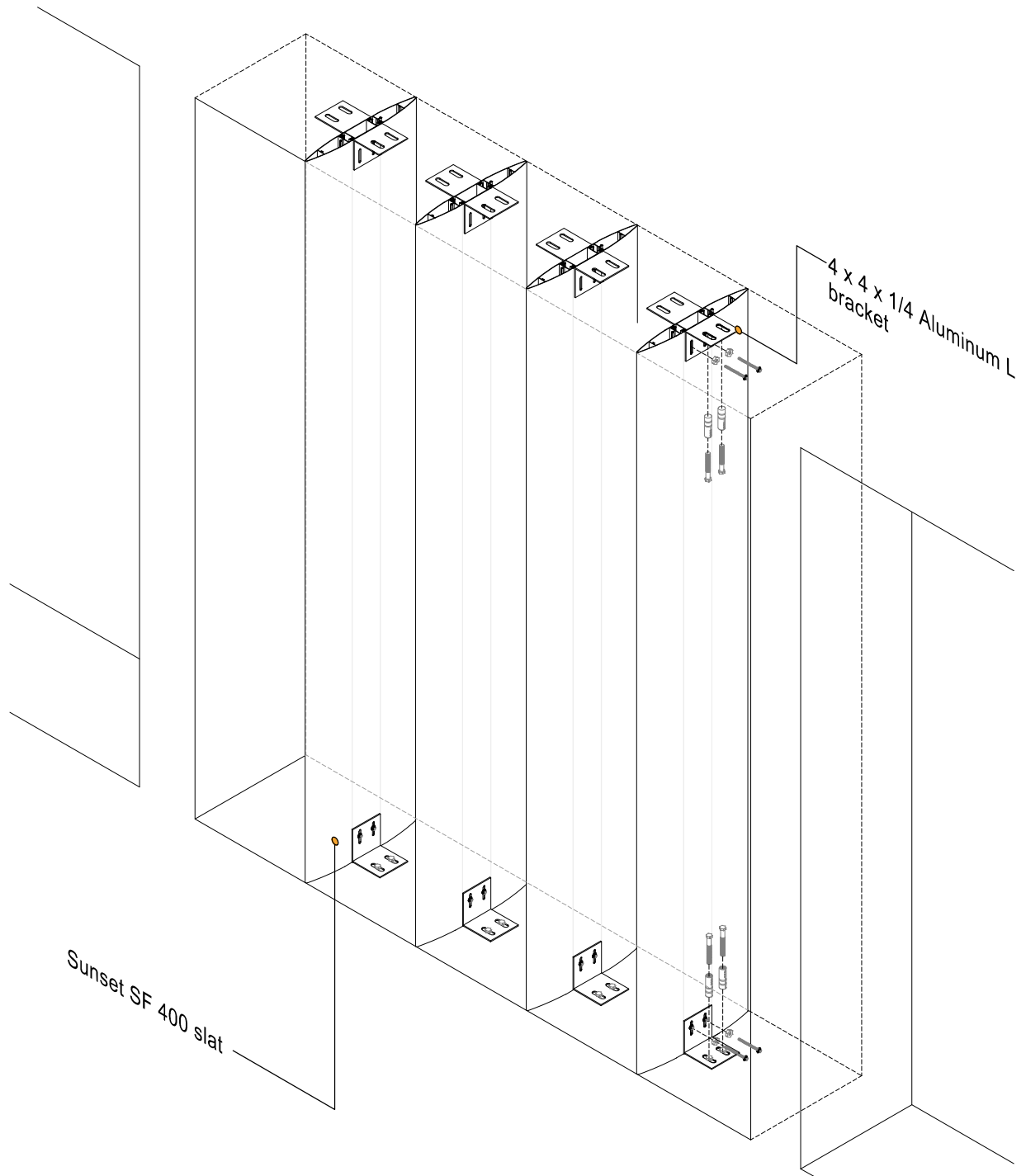
Revision:
Revision:
Date: October 2020
Dimensions: mm. (in.)



SUNSET SF 400

PROPOSAL OF VERTICAL FACADE IN BUILDING SPAN (STEEL BRACKETS)

Page 11-13



Technical department Simpleyfacil®
Specification workshop

Project:
Location:
Authorization:

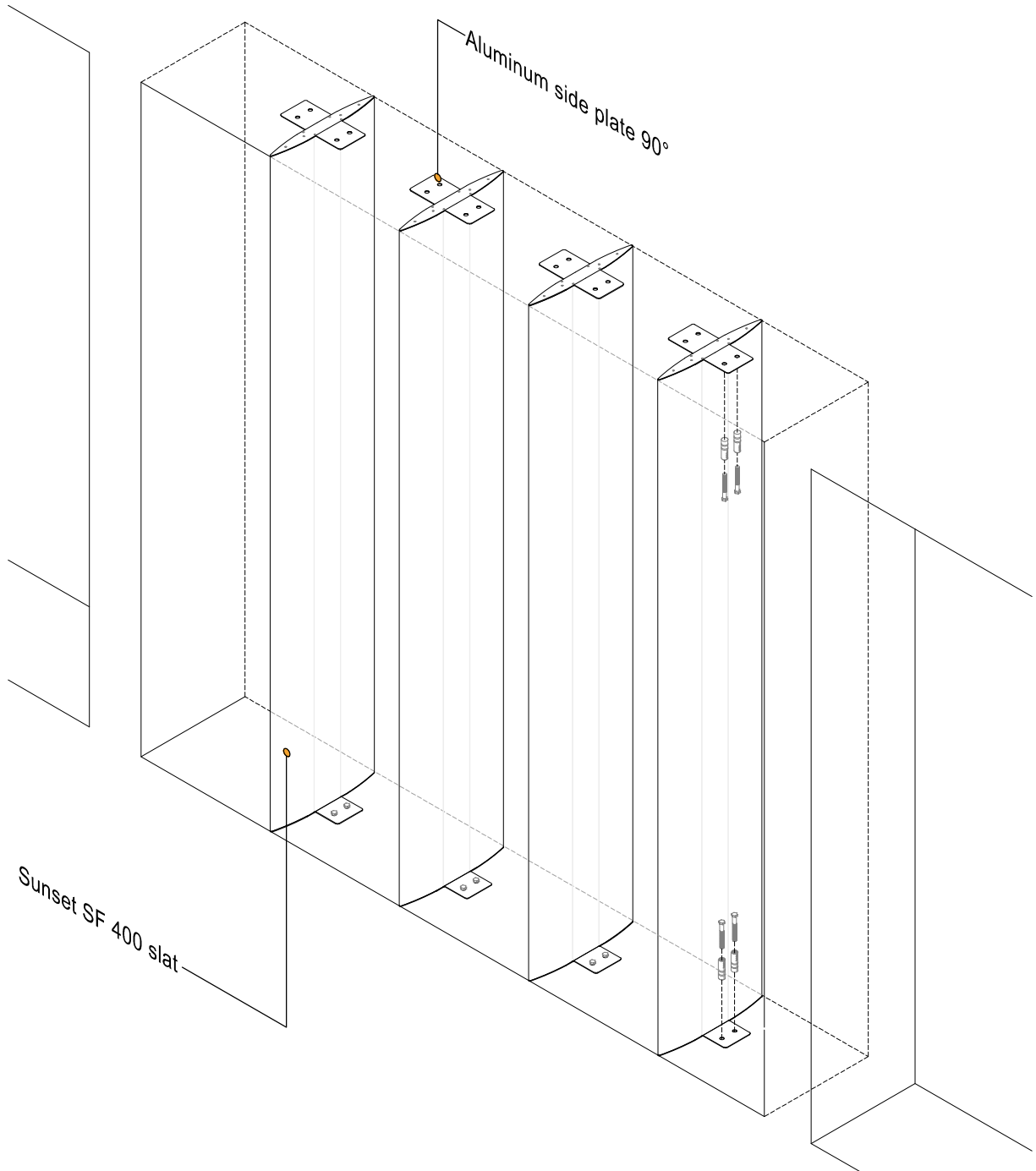
Revision:
Revision:
Date: October 2020
Dimensions: mm. (in.)

 **simple**
architectural®
by simpleyfacil

SUNSET SF 400

PROPOSAL OF VERTICAL FACADE IN BUILDING SPAN (ALUMINUM SIDE PLATE 90°)

Page 12-13



Technical department Simpleyfacil®
Specification workshop

Project:
Location:
Authorization:

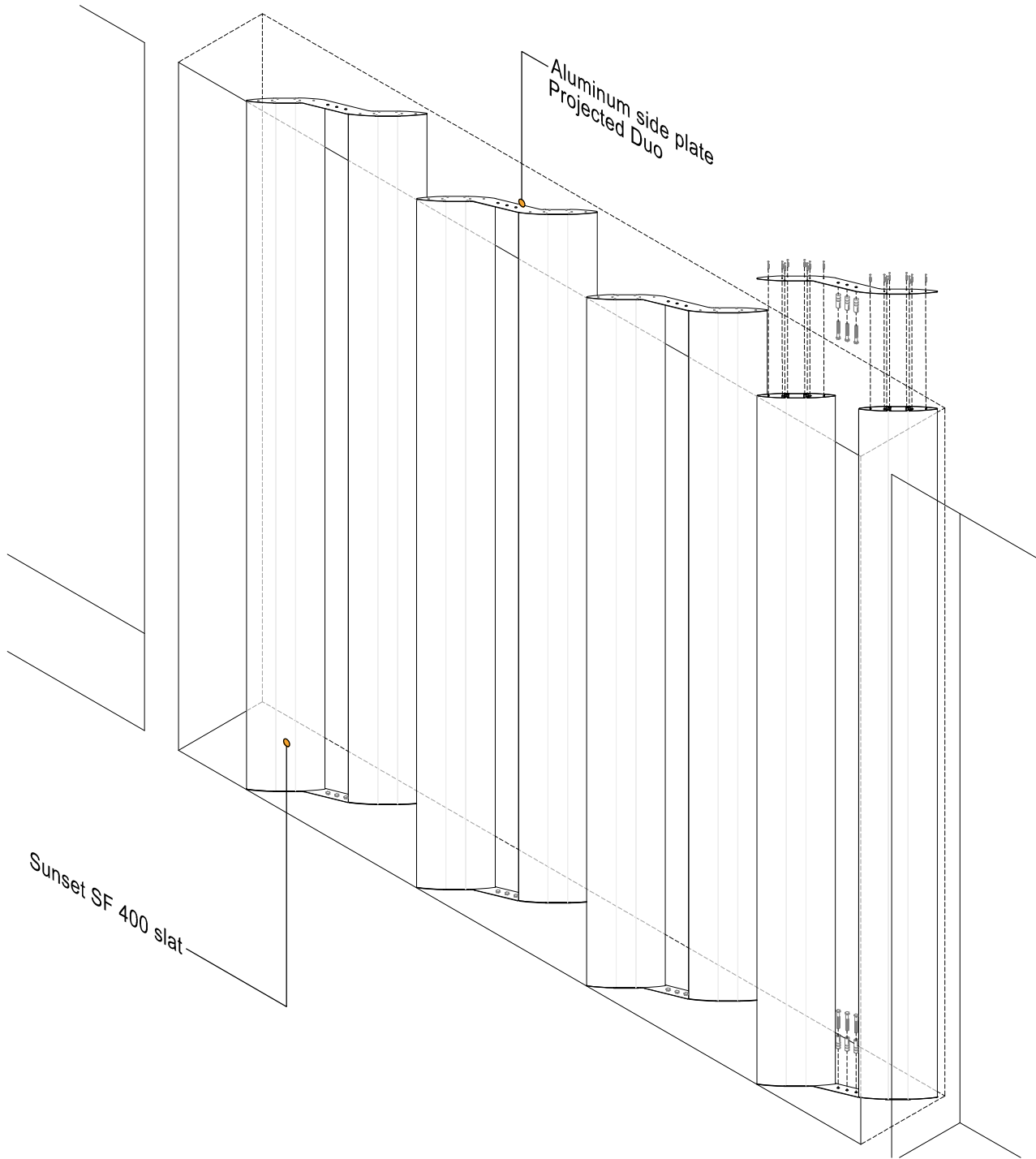
Revision:
Revision:
Date: October 2020
Dimensions: mm. (in.)



SUNSET SF 400

PROPOSAL OF VERTICAL FACADE IN BUILDING SPAN (SIDE PLATE PROJECTED DUO)

Page 13-13



Technical department Simpleyfacil®
Specification workshop

Project:
Location:
Authorization:

Revision:
Revision:
Date: October 2020
Dimensions: mm. (in.)

