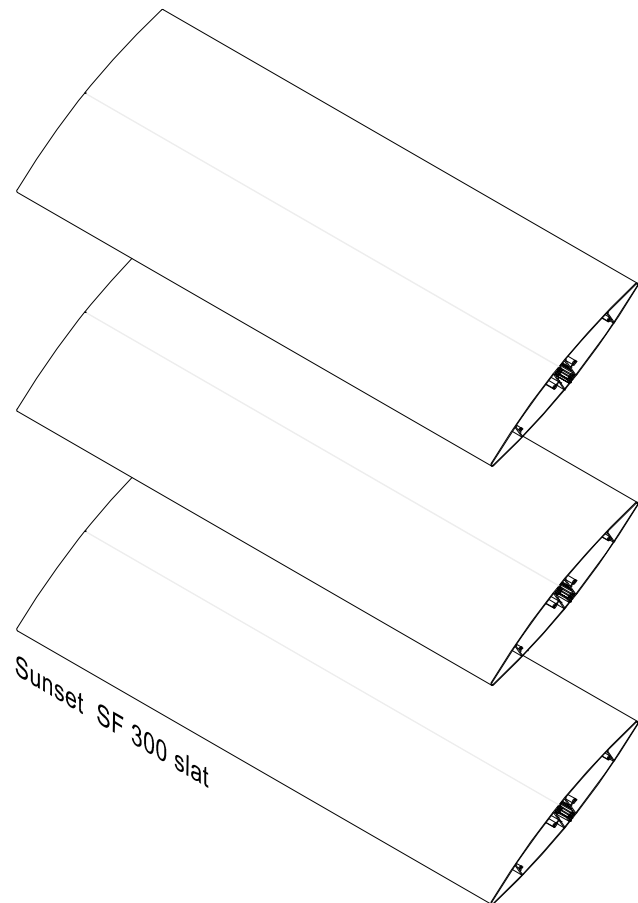
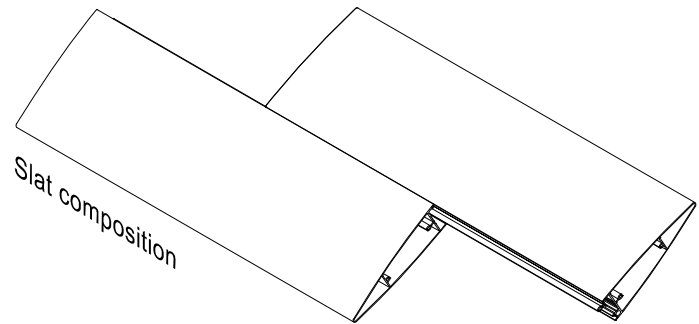
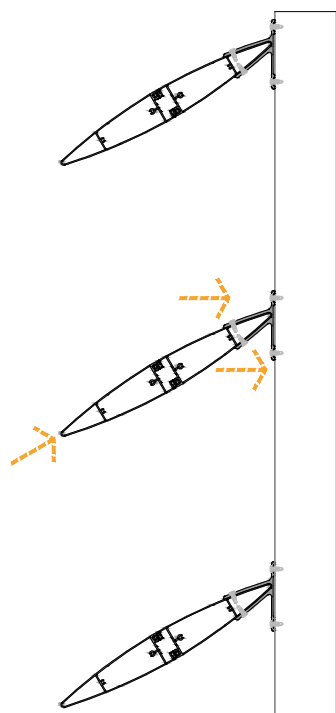


SUNSET SF 300

MECHANICAL ASSEMBLY SYSTEM

Page 01-12



Technical department Simpleyfacil®
Specification workshop

Project:
Location:
Authorization:

Revision:
Revision:

Date: October 2020
Dimensions: mm. (in.)



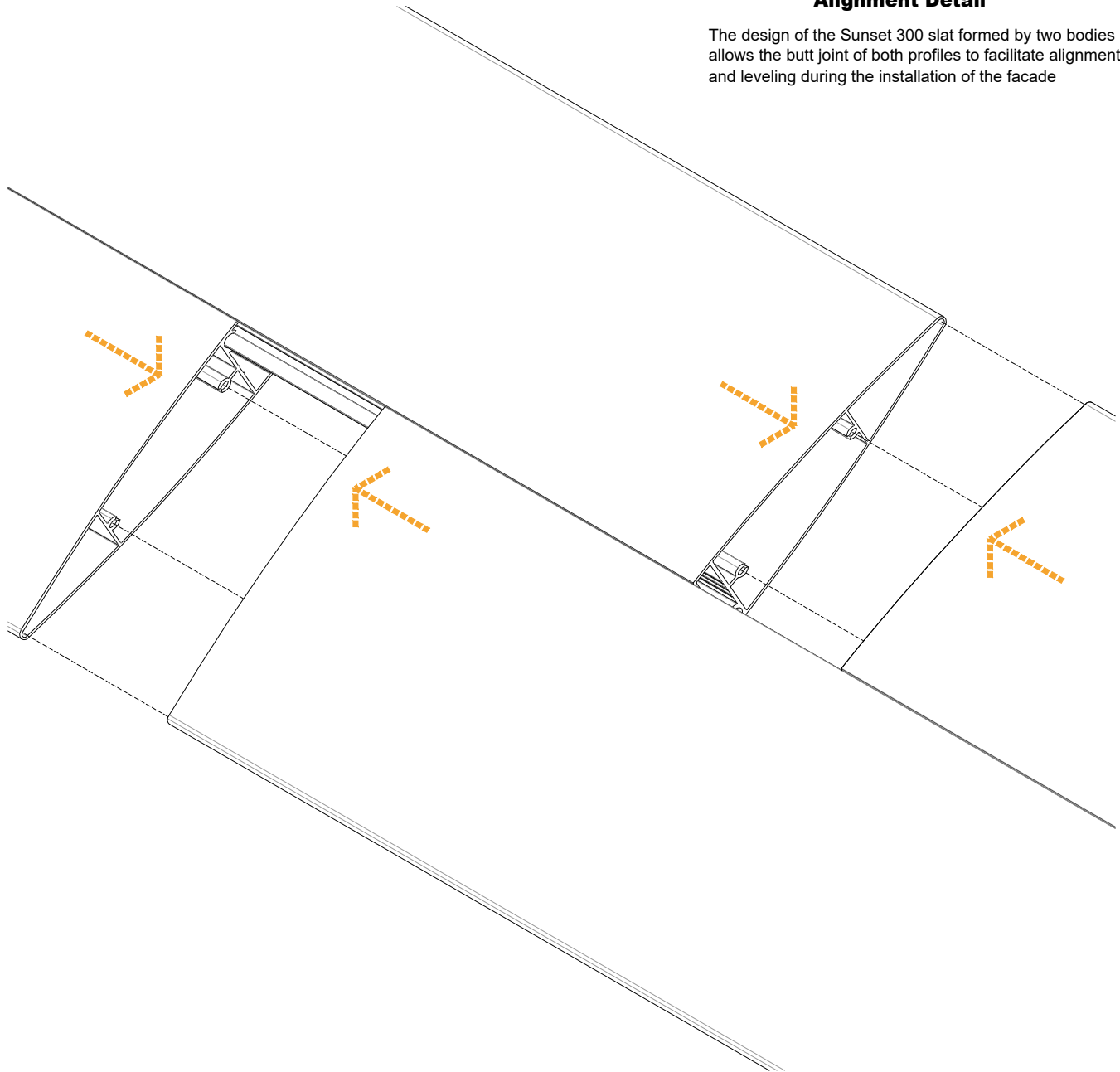
SUNSET SF 300

BUTT JOINT INSTALLATION FOR SLAT ALIGNMENT

Page 02-12

Alignment Detail

The design of the Sunset 300 slat formed by two bodies allows the butt joint of both profiles to facilitate alignment and leveling during the installation of the facade



Technical department Simpleyfácil®
Specification workshop

Project:
Location:
Authorization:

Revision:
Revision:

Date: October 2020
Dimensions: mm. (in.)

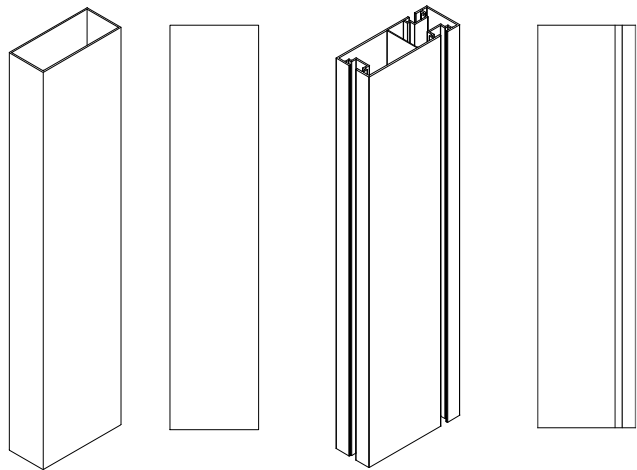
 **simple**
architectural®
by simpleyfácil

SUNSET SF 300

SELECTION OF SUPPORTS ACCORDING TO THE SEPARATION BETWEEN ANCHORS

Page 03-12

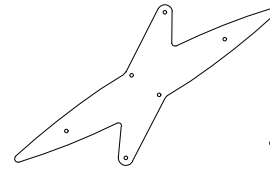
Components



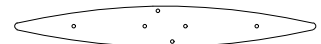
Option



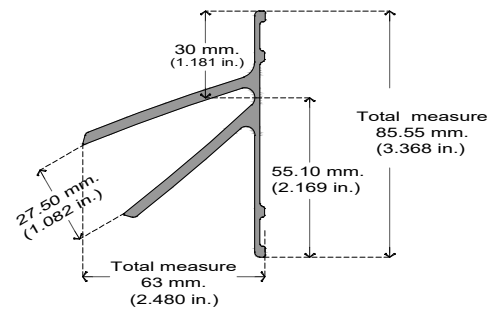
Option



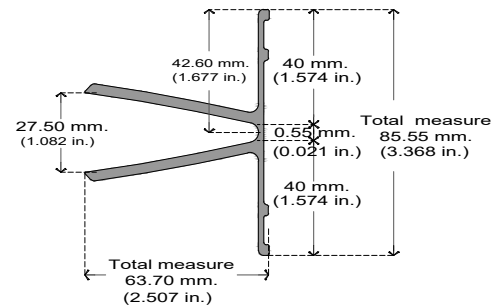
Aluminum side plate 60°



Side cap Sunset 300



Aluminum 60° bracket



Aluminum 90° bracket

Distances for installation of structural supports

Nm Structural support options

Maximum distance (DA)

B	Basic support 100X44 (3.93x1.73 in.)	3300 mm. (129.92 in.)
C	Basic facade support 110X40 (4.33x1.57 in.)	4000 mm. (157.48 in.)
D	Aluminum component anchored to construction site	>4000 mm.

Maximum distance between slat attachment horizontal installation 3000 mm. (118.11 in.)

Maximum distance between slat attachment vertical installation 3500 mm. (137.79 in.)

- 1 Aluminium L bracket 4 x 4 x 1/4"
- 2 Aluminium L bracket 2 x 4 x 1/4"
- 3 Aluminium L bracket 2 x 2 x 1/4"

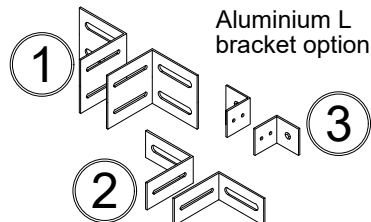
Nm Structural support options

DA Maximum distance between structural support anchors

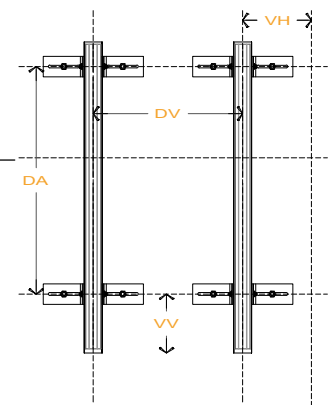
DV Maximum distance between slat attachment

VV Maximum vertical cantilever (support) 500 mm. (19.65 in.)

VH Maximum horizontal cantilever (slat) 500 mm. (19.65 in.)



Aluminium L bracket option



Technical department Simpleyfacil®

Specification workshop

Project:

Location:

Authorization:

Revision:

Revision:

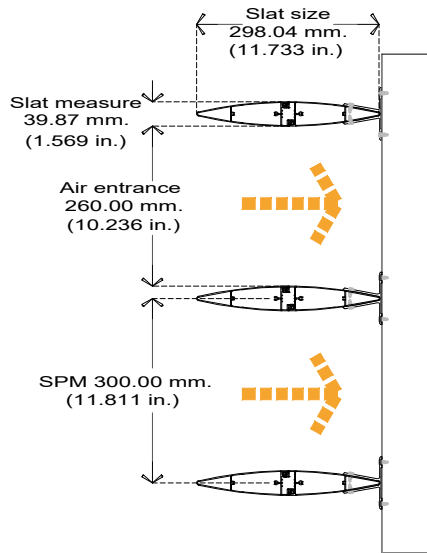
Date: October 2020

Dimensions: mm. (in.)

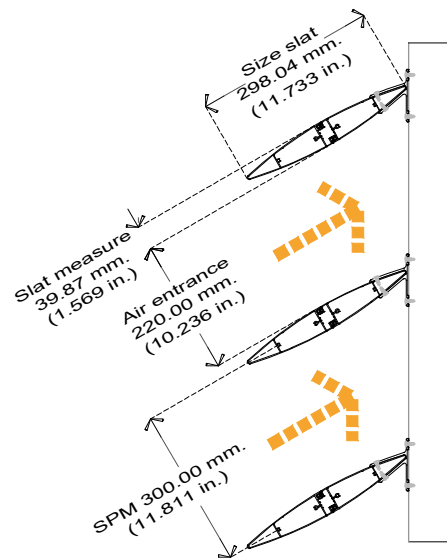


SUNSET SF 300

SPECIFICATION PARAMETERS AND TESTS



SPM 30 (90°)



SPM 30 (60°)

Number of slats per meter (SPM)

3.33

Clearance between slats	300.00 mm. (11.811 in.)
Free area (%)	86.68%
DA Maximum distance between anchors, basic support installation (76 x 44 - 2.99x1.73 in.)	2700 mm. (106.29 in.)
DA Maximum distance between anchors, basic support installation (100 x 44 - 3.93x1.73 in.)	3300 mm. (129.92 in.)
DA Maximum distance between anchors, basic support installation (110 x 40 - 4.33x1.57 in.)	4000 mm. (157.48 in.)
DV Maximum distance between slat attachment horizontal installation	3000 mm. (118.11 in.)
DV Maximum distance between slat attachment vertical installation	3500 mm. (137.79 in.)
Emittance according to ASTM C 1371 / Clear anodized and raw aluminium	0.645
Reflectance according to ASTM C 1549 / Clear anodized and raw aluminium	0.759
Accelerated aging to ASTM G151 / Clear anodized and raw aluminium	0.000

Extruded aluminium alloy 6063, tempering T5, post-consumption content 51.60%, pre-consumption content 13.70% Snap-on anchored slats to vertical supports, without screws to avoid risk of oxidation

Technical department Simpleyfacil®
Specification workshop

Revision:
Revision:

Project:
Location:
Authorization:

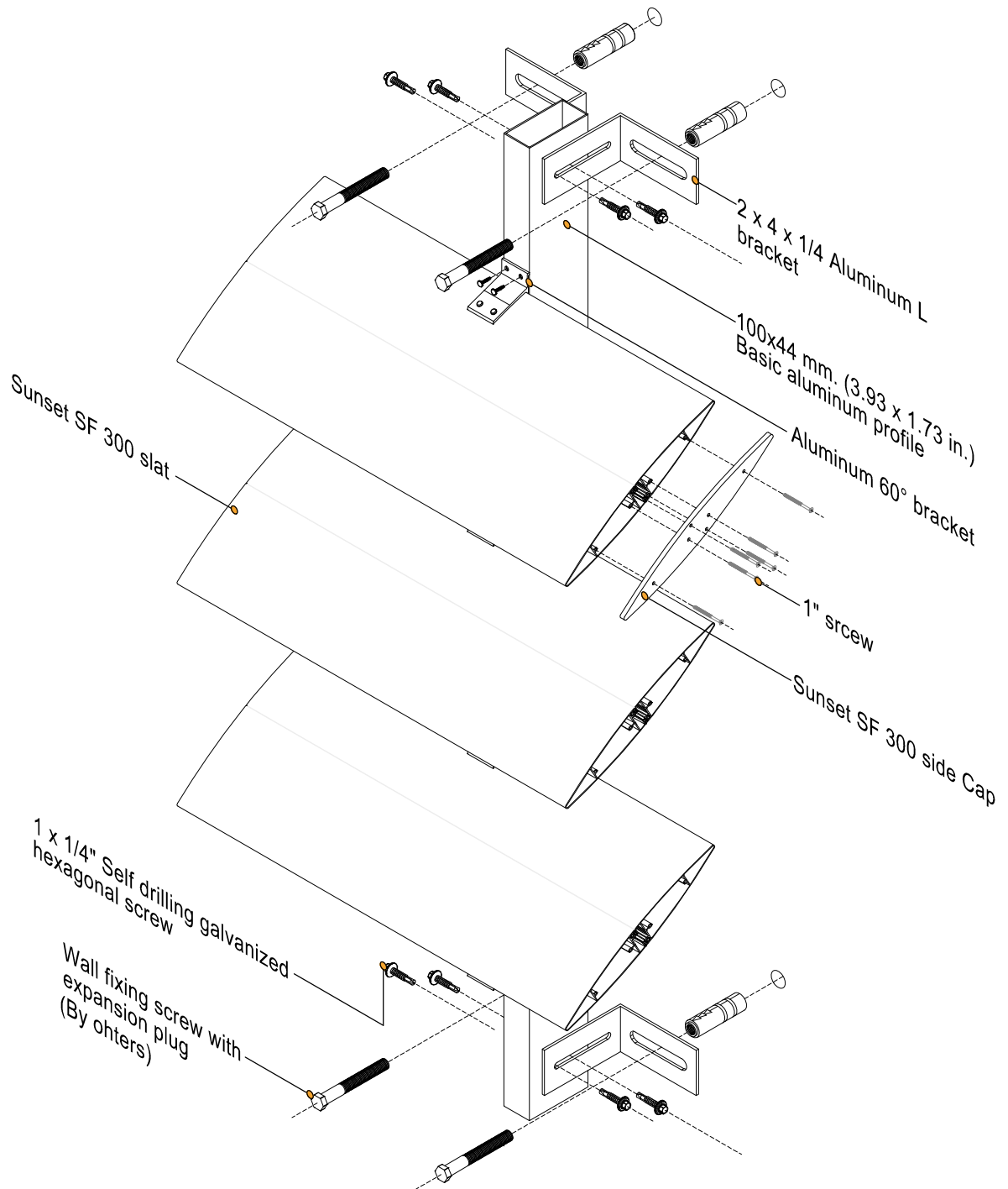
Date: October 2020
Dimensions: mm. (in.)



SUNSET SF 300

ANCHORING TO SLABS WITH STRUCTURAL SUPPORT 100 X 44 mm. (3.93X1.73 in.)

Página 05-12



Technical department Simpleyfacil®
Specification workshop

Project:
Location:
Authorization:

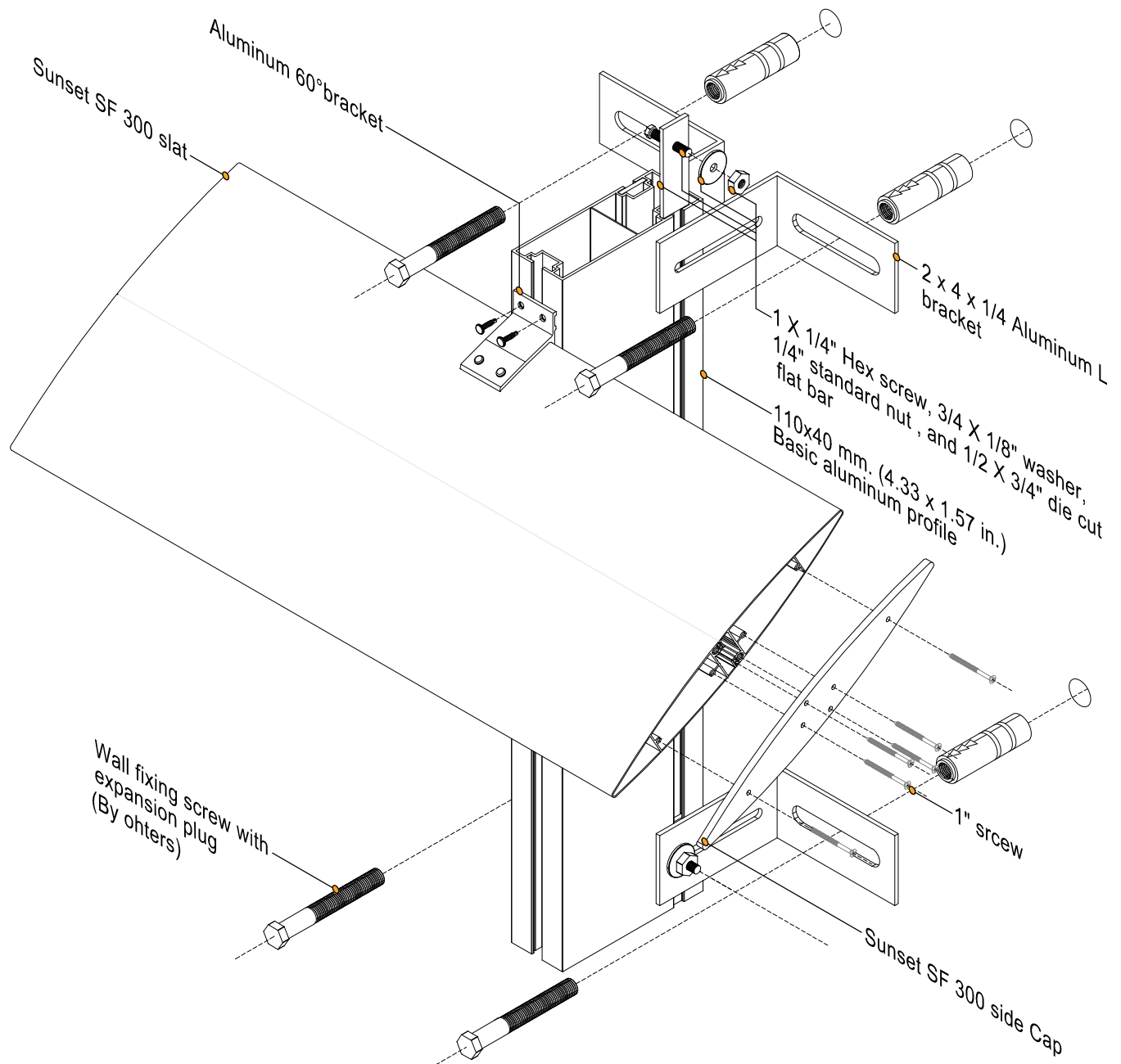
Revision:
Revision:
Date: October 2020
Dimensions: mm. (in.)



SUNSET SF 300

ACHORING TO SLABS WITH STRUCTURAL SUPPORT 110 X 40 mm. (4.33X1.57 in.)

Página 06-12



Technical department Simpleyfácil®
Specification workshop

Project:
Location:
Authorization:

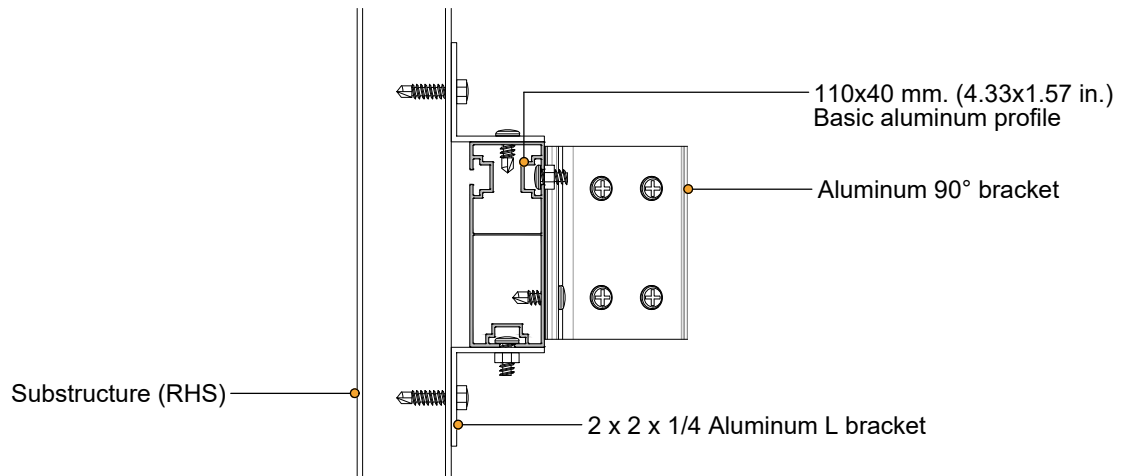
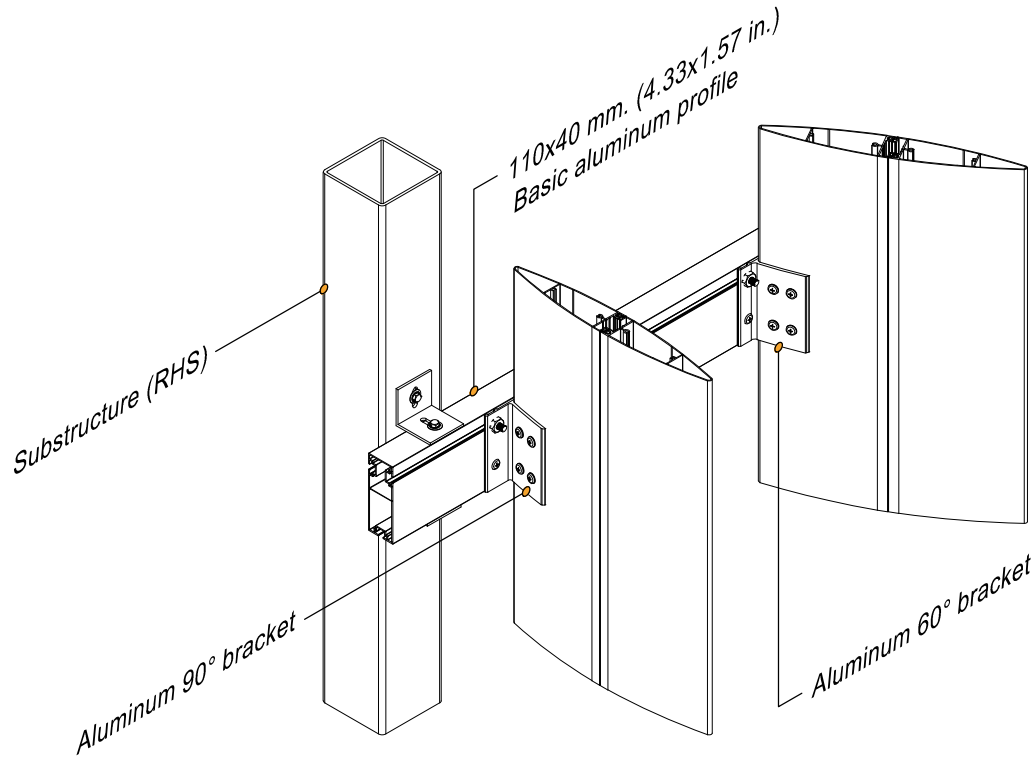
Revision:
Revision:

Date: October 2020
Dimensions: mm. (in.)



SUNSET SF 300

110X40 BASIC SUPPORT, ANCHORED TO STEEL SUBSTRUCTURE PROVIDED BY THE CUSTOMER



Technical department Simpleyfácil®
Specification workshop

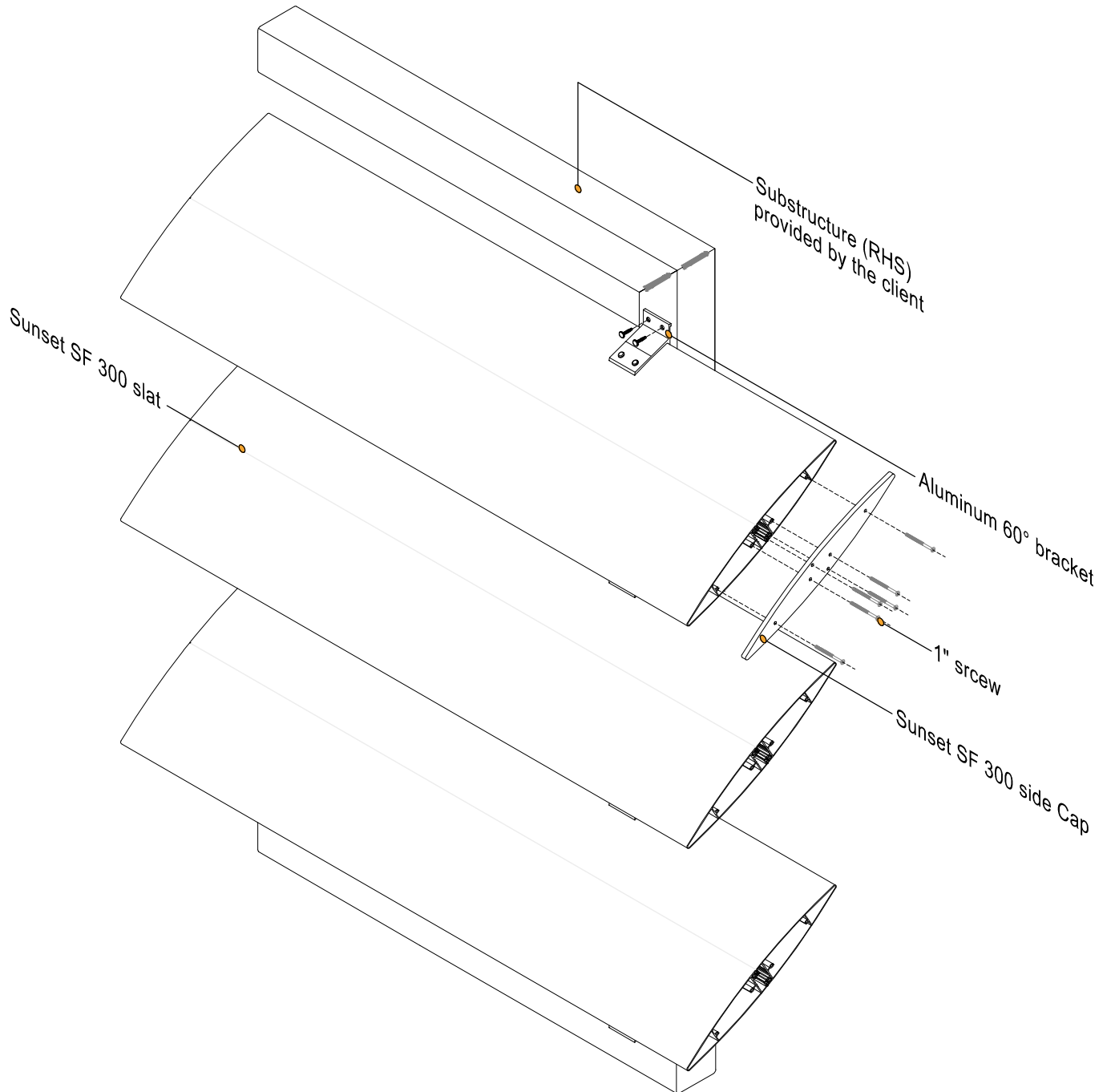
Project:
Location:
Authorization:

Revision:
Revision:
Date: October 2020
Dimensions: mm. (in.)

SUNSET SF 300

ANCHORAGE TO SUB STRUCTURE (RHS) PROVIDED BY THE CLIENT

Page 08-12



Technical department Simpleyfácil®
Specification workshop

Project:
Location:
Authorization:

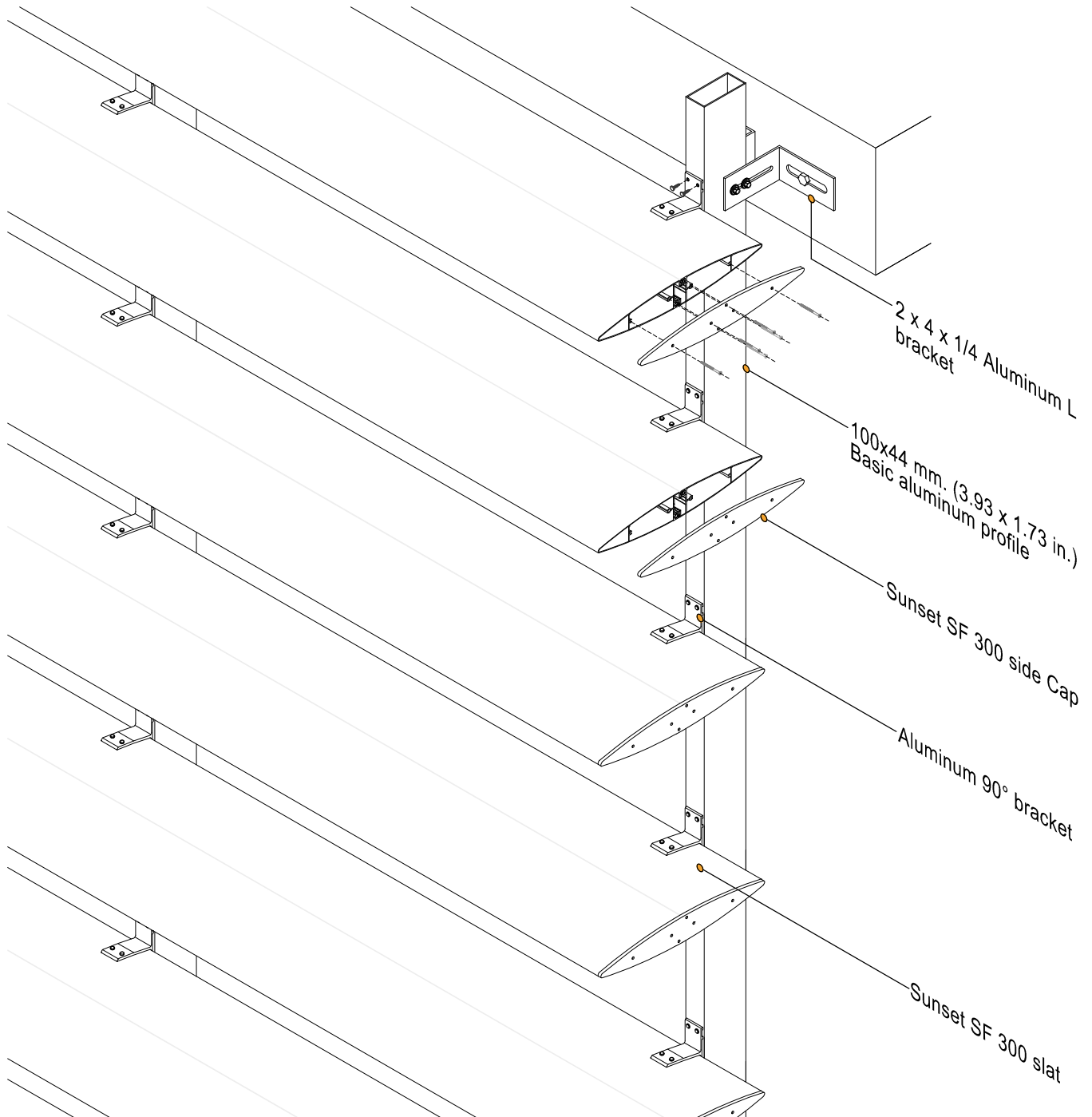
Revision:
Revision:
Date: October 2020
Dimensions: mm. (in.)



SUNSET SF 300

FACADE PROPOSAL (SLAT AT 90°)

Página 09-12



Technical department Simpleyfacil®
Specification workshop

Project:
Location:
Authorization:

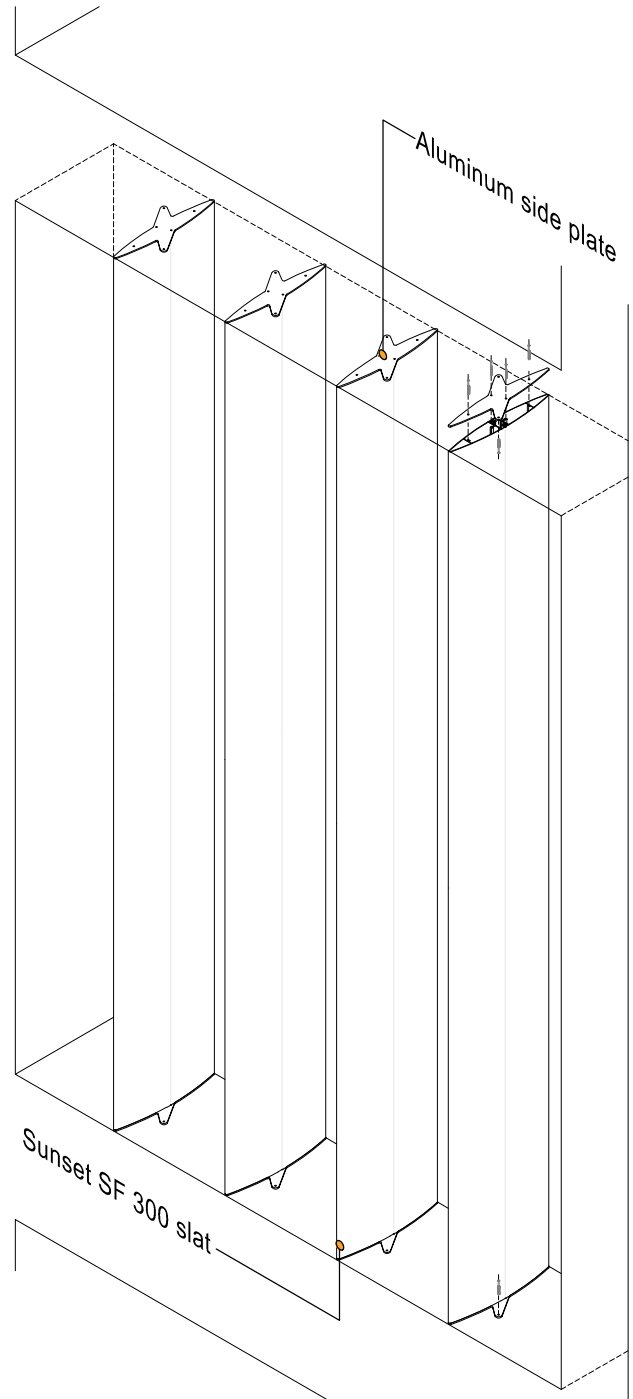
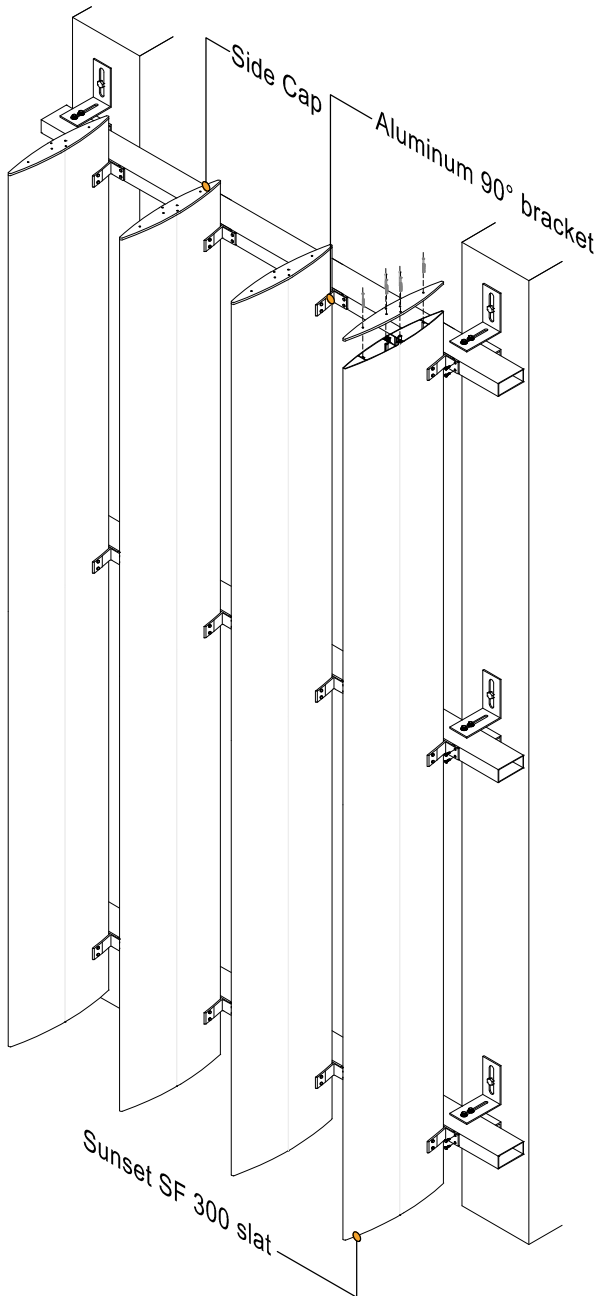
Revision:
Revision:
Date: October 2020
Dimensions: mm. (in.)



SUNSET SF 300

VERTICAL FACADE PROPOSAL (BRACKET 90° AND ALUMINUM SIDE PLATE)

Page 10-12



Vertical facade (Anchored to building walls)

Technical department Simpleyfacil®
Specification workshop

Project:
Location:
Authorization:

Revision:
Revision:

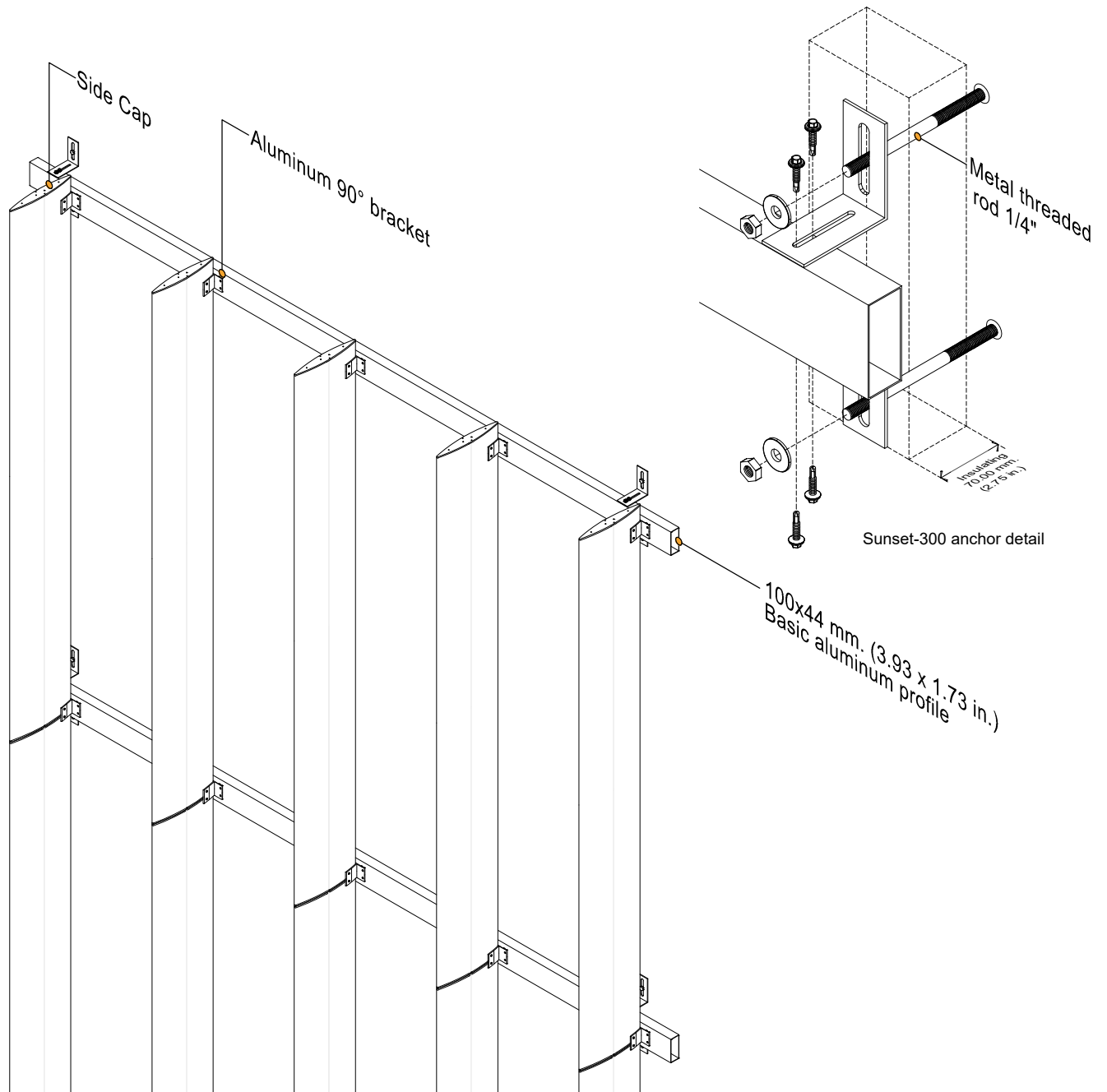
Date: October 2020
Dimensions: mm. (in.)



SUNSET SF 300 DETAIL

ANCHORAGE PROPOSAL IN VERTICAL FACADE (ALUMINUM STRUCTURE)

Page 11-12



Vertical facade (Anchored to Simpleyfacil aluminum structure)

Technical department Simpleyfacil®
Specification workshop

Project:
Location:
Authorization:

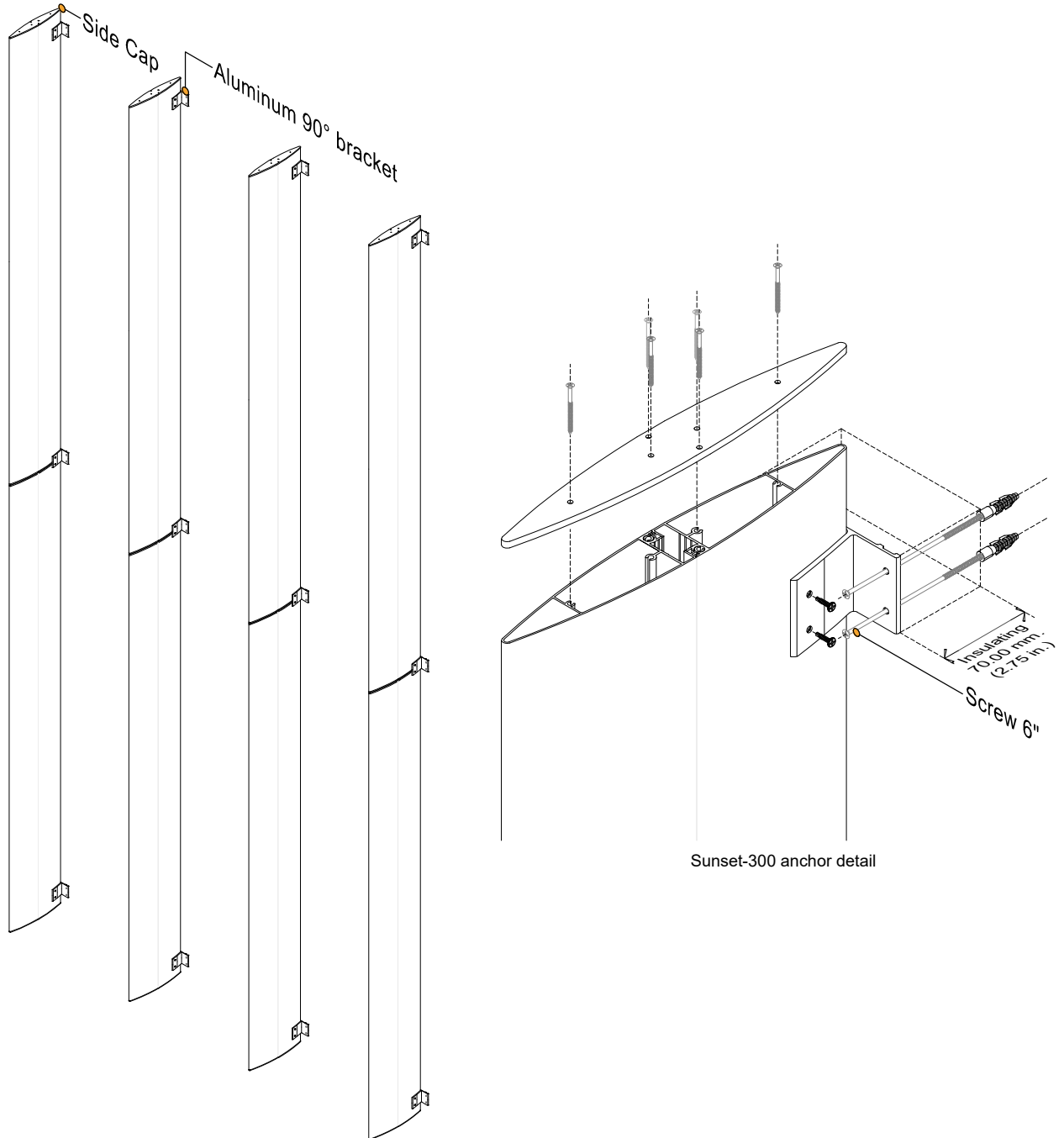
Revision:
Revision:
Date: October 2020
Dimensions: mm. (in.)



SUNSET SF 300 DETAIL

ANCHORAGE PROPOSAL IN VERTICAL FACADE (ALUMINUM 90° BRACKET)

Page 12-12



Vertical facade (Anchored to building slabs)

Technical department Simpleyfacil®
Specification workshop

Project:
Location:
Authorization:

Revision:
Revision:
Date: October 2020
Dimensions: mm. (in.)

