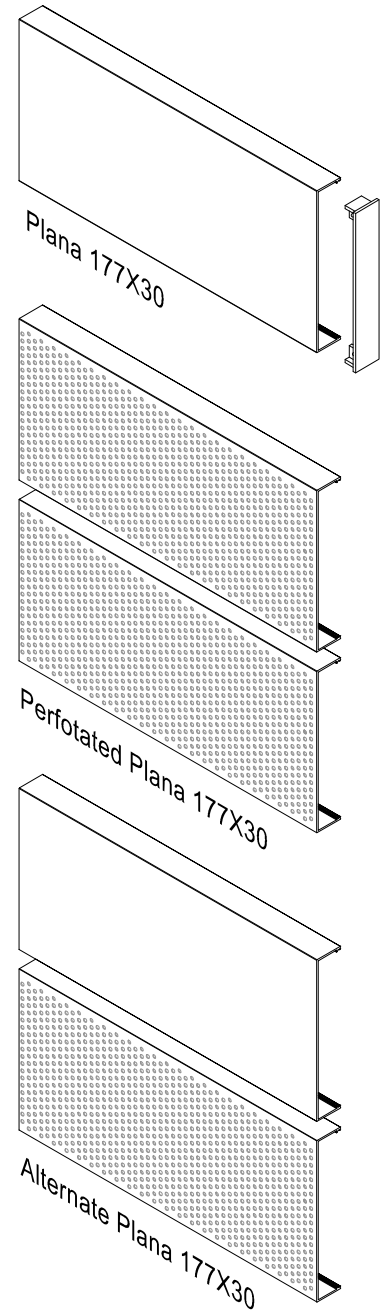
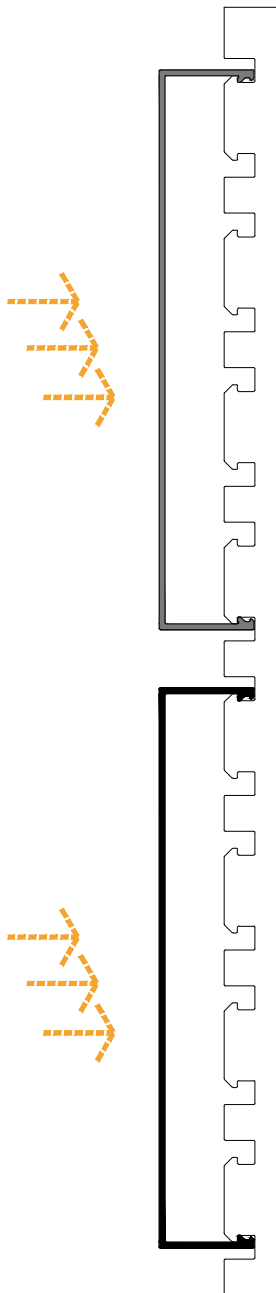


# PLANA 177X30

SNAP-ON SYSTEM

Page 01-07



Technical department Simpleyfacil®  
Specification workshop

Project:  
Location:  
Authorization:

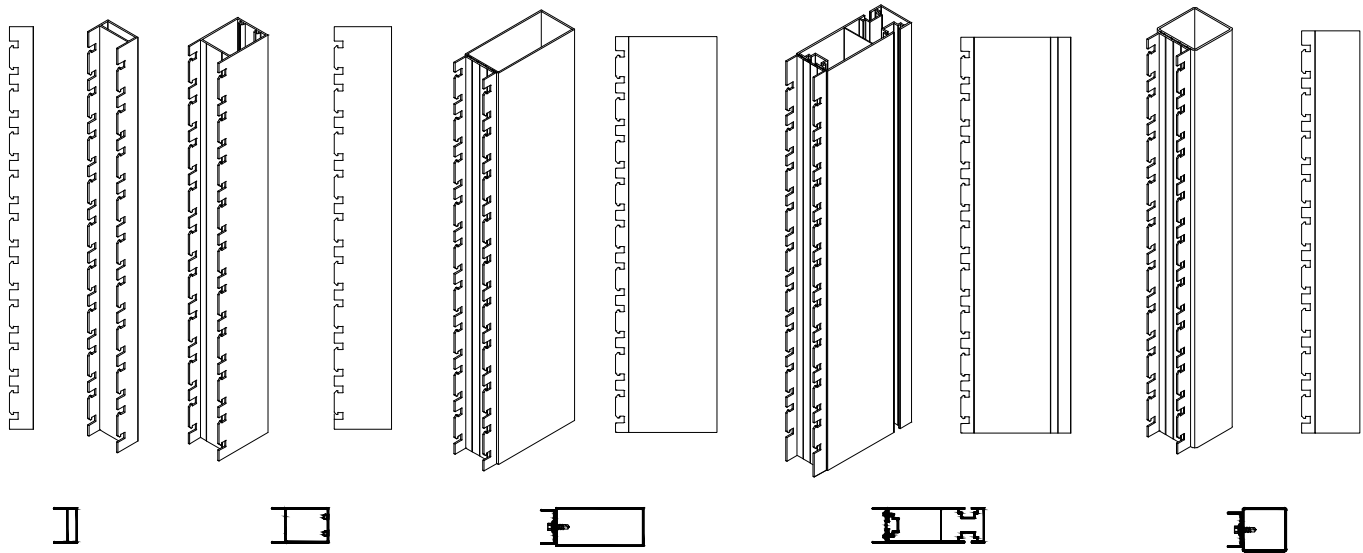
Revision:  
Revision:  
Date: September 2020  
Dimensions: mm. (in.)



# PLANA 177X30

SELECTION OF SUPPORTS ACCORDING TO THE SEPARATION BETWEEN ANCHORS

Page 02-07



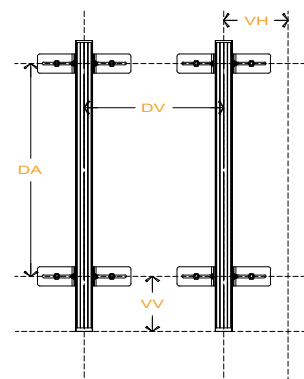
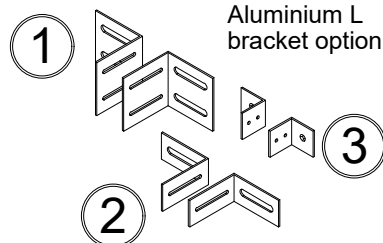
Option **(A)** Die cut V1      Option **(B)** Die cut V1      Option **(C)** Die cut V1      Option **(D)** Die cut V1      Option **(E)** Die cut V1

## Distances for installation of structural supports

Nm	Structural support options	Maximum distance (DA)	Maximum distance (DV)
A	Basic RM profile, wall covering	1300 mm. (51.18 in.)	1300 mm. (51.18 in.)
B	(T) support with die cut area 65X40 (2.55x1.57 in.)	2200 mm. (86.61 in.)	1300 mm.
C	Basic support with adapter profile 100X44 (3.93x1.73 in.)	3300 mm. (129.92 in.)	1300 mm.
D	Basic facade support with adapter profile 110X40 (4.33x1.57 in.)	4000 mm. (157.48 in.)	1300 mm.
E	Adapter profile anchored to construction site	>4000 mm.	1300 mm.

- 1 Aluminium L bracket 4 x 4 x 1/4"
- 2 Aluminium L bracket 2 X 4 x 1/4"
- 3 Aluminium L bracket 2 X 2 x 1/4"

Nm	Structural support options
DA	Maximum distance between anchors of brackets
DV	Maximum distance between structural supports
VV	Maximum vertical cantilever (support) 500 mm. (19.65 in.)
VH	Maximum horizontal cantilever (slat) 200 mm. (7.87 in.)



Technical department Simpleyfacil®  
Specification workshop

Revision:  
Revision:

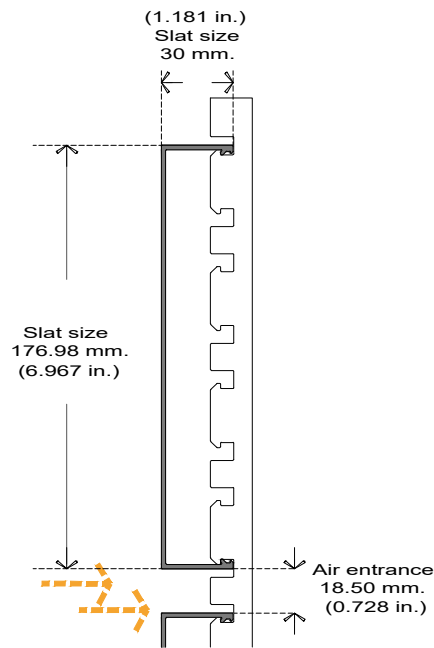
Project:  
Location:  
Authorization:

Date: September 2020  
Dimensions: mm. (in.)

# PLANA 177X30

SPECIFICATION PARAMETERS AND TEST

Page 03-07



SPM 5.08

**Number of slats per meter (SPM)**

**5.08**

Clearance between slats		18.50 mm. (0.728 in.)
Free area ( % )		7.55%
Wind load resistance		N.T
Water infiltration ( % )		N.T
Air pressure drop ( K value)		N.T
Thermal resistance (R value)	M2°C/W	N.T
Thermal transmittance (U value)	W/m2°C	N.T
Emittance according to ASTM C 1371 / Clear anodized and raw aluminium		0.645
Reflectance according to ASTM C 1549 / Clear anodized and raw aluminium		0.759
Accelerated aging to ASTM G151 / Clear anodized and raw aluminium		N.T

Extruded aluminium alloy 6063, tempering T5, post-consumption content 51.60%, pre-consumption content 13.70% Snap-on anchored slats to vertical supports, without screws to avoid risk of oxidation

\*N.T: Test not performed

Technical department Simpleyfacil®  
Specification workshop

Revision:  
Revision:

Project:  
Location:  
Authorization:

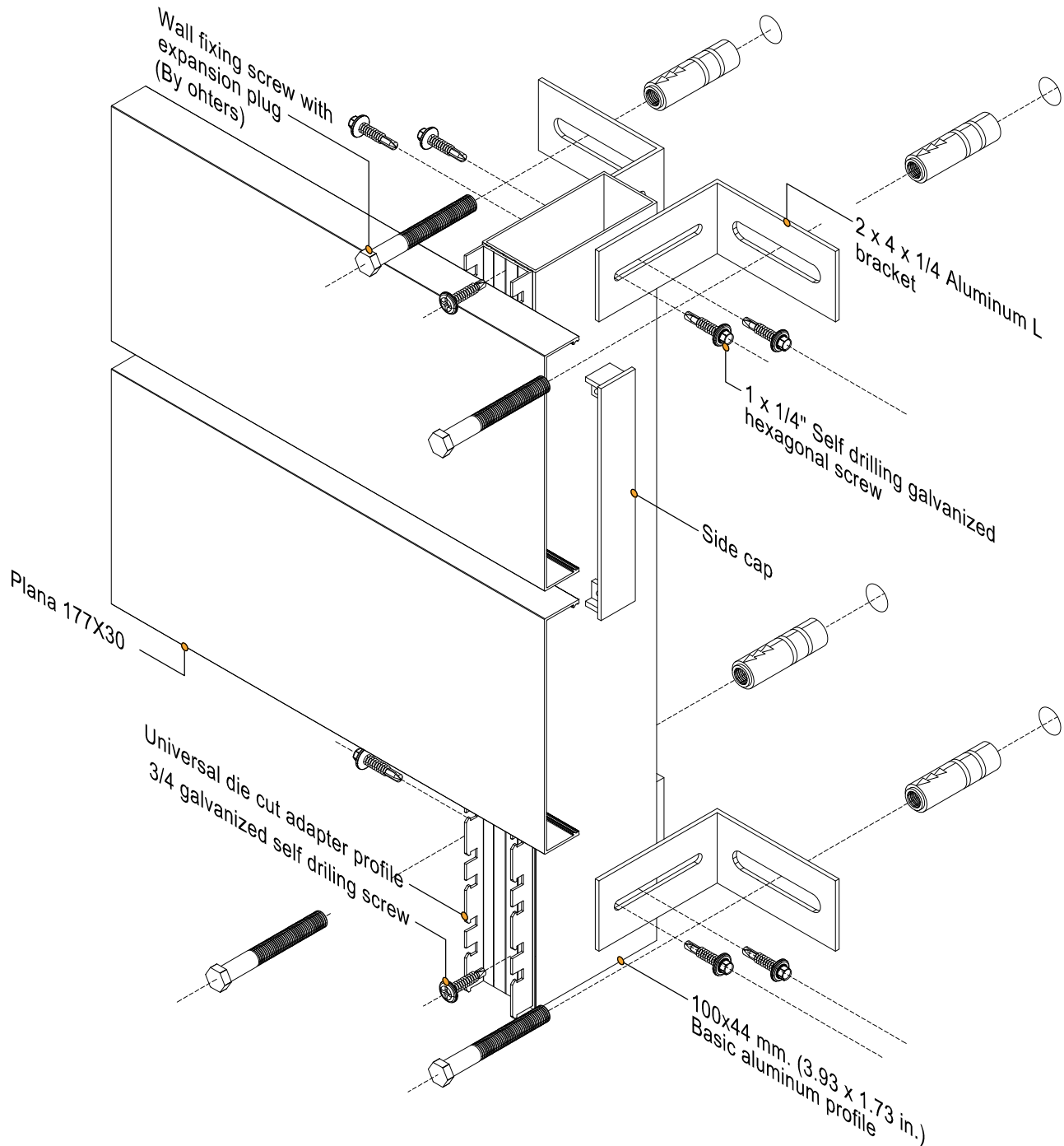
Date: September 2020  
Dimensions: mm. (in.)



# PLANA 177X30

ANCHORING TO SLABS WITH STRUCTURAL SUPPORT 100 X 44 mm. (3.93X1.73 in.)

Page 04-07



Technical department Simpleyfacil®  
Specification workshop

Project:  
Location:  
Authorization:

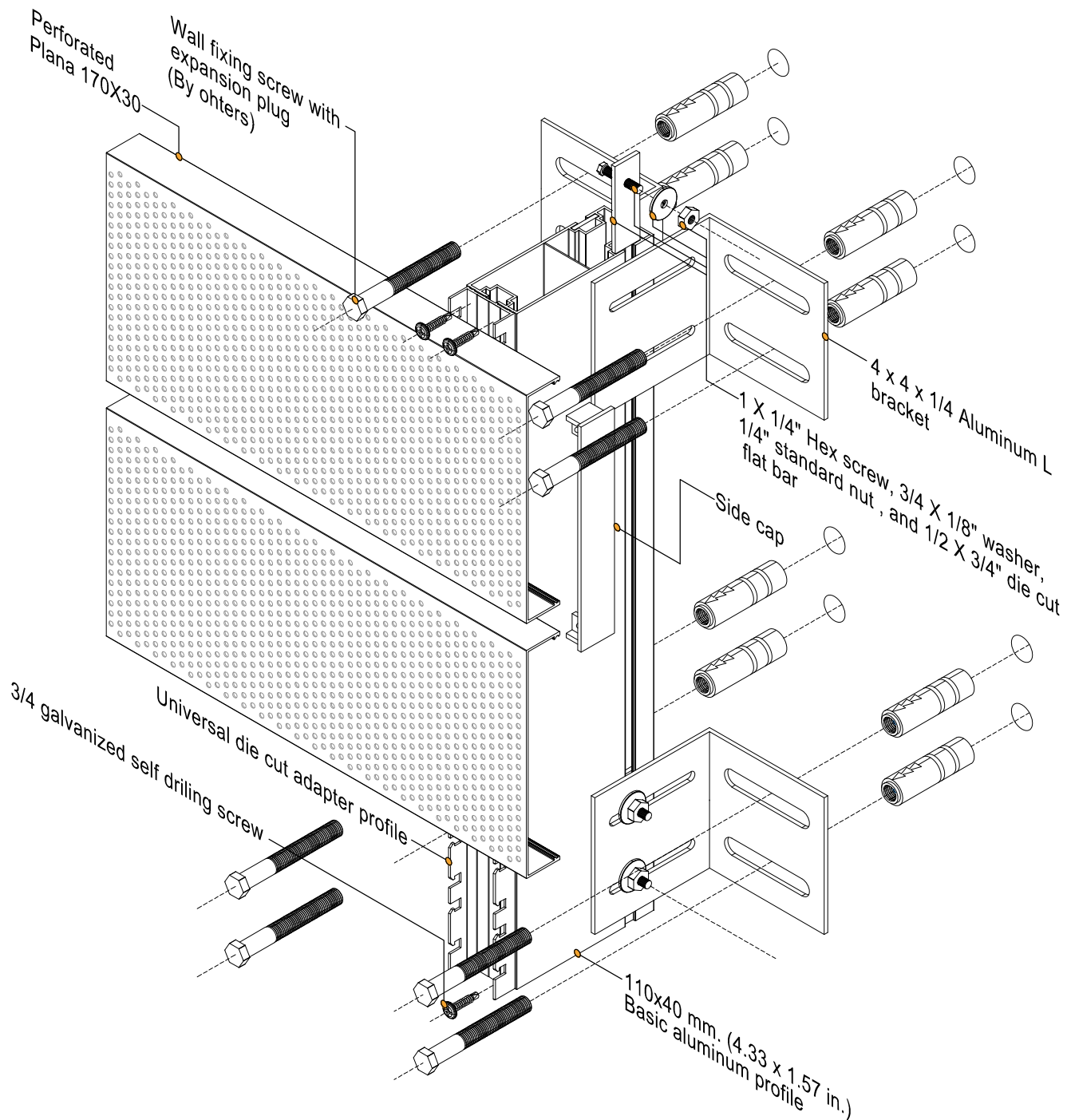
Revision:  
Revision:  
Date: September 2020  
Dimensions: mm. (in.)



# PLANA 177X30

ACHORING TO SLABS WITH STRUCTURAL SUPPORT 110 X 40 mm. (4.33X1.57 in.)

Page 05-07



Technical department Simpleyfacil®  
Specification workshop

Revision:  
Revision:

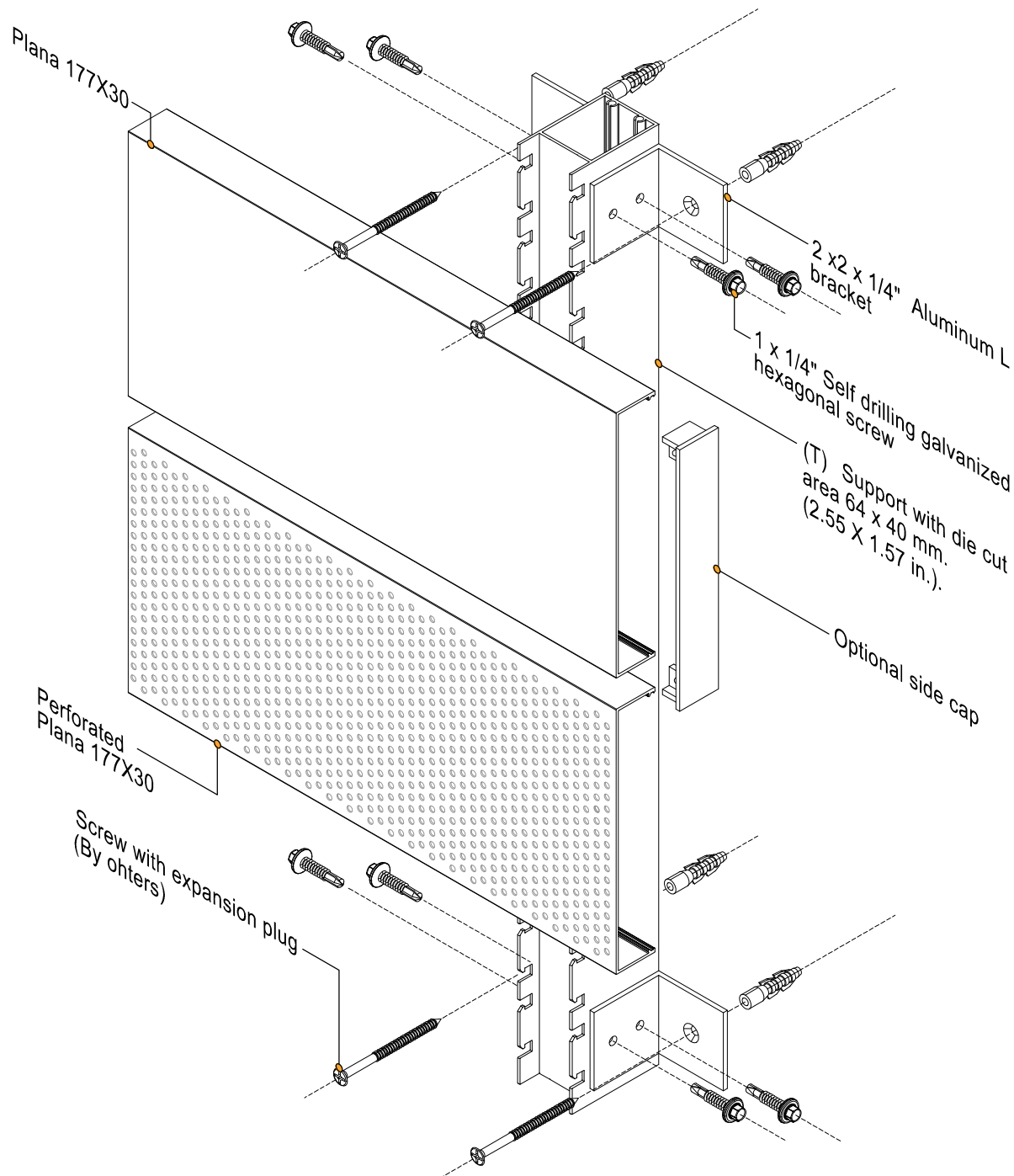
Project:  
Location:  
Authorization:

Date: September 2020  
Dimensions: mm. (in.)



# PLANA 177X30

ANCHORAGE TO SUB STRUCTURE WITH STRUCTURAL SUPPORT  
 (T) 65 X 40 mm. (2.55 X 1.57 in.)



Technical department Simpleyfacil®  
 Specification workshop

Project:  
 Location:  
 Authorization:

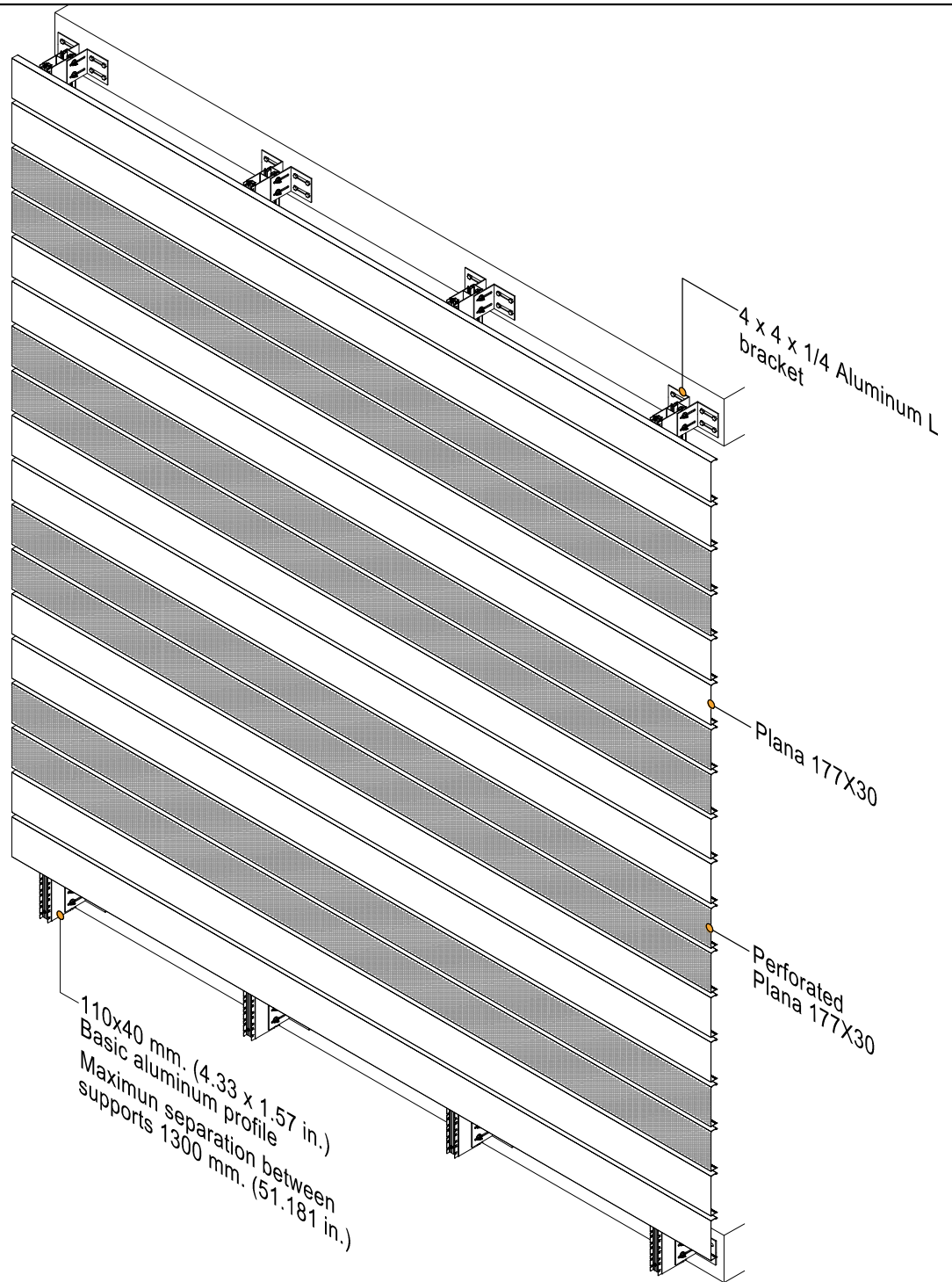
Revision:  
 Revision:  
 Date: September 2020  
 Dimensions: mm. (in.)



# PLANA 177X30

DYNAMIC VENTILATED FACADE PROPOSAL

Page 07-07



Technical department Simpleyfácil®  
Specification workshop

Project:  
Location:  
Authorization:

Revision:  
Revision:  
Date: September 2020  
Dimensions: mm. (in.)

