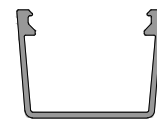
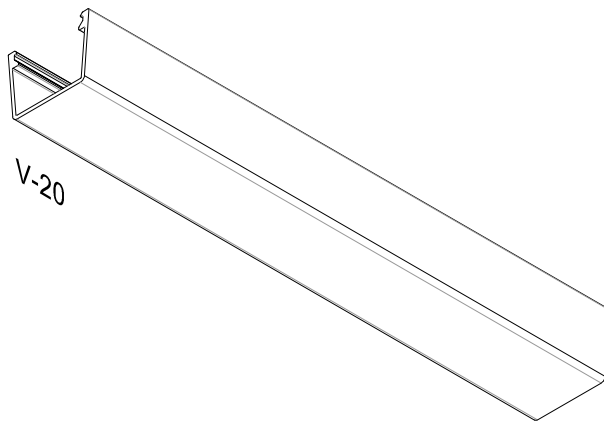
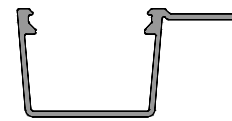
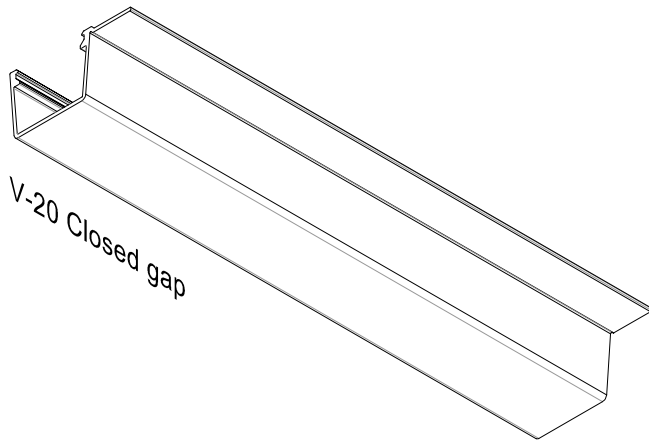


MINIMALCLAD

SLAT INSTALLATION OPTIONS AND COMBINATIONS

Page 01-10



Technical department Simpleyfácil®
Specification workshop

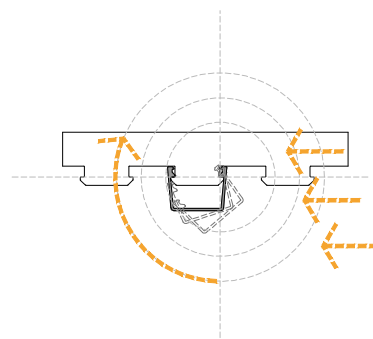
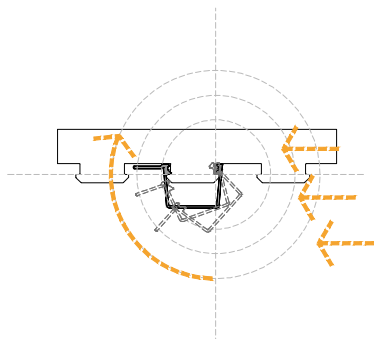
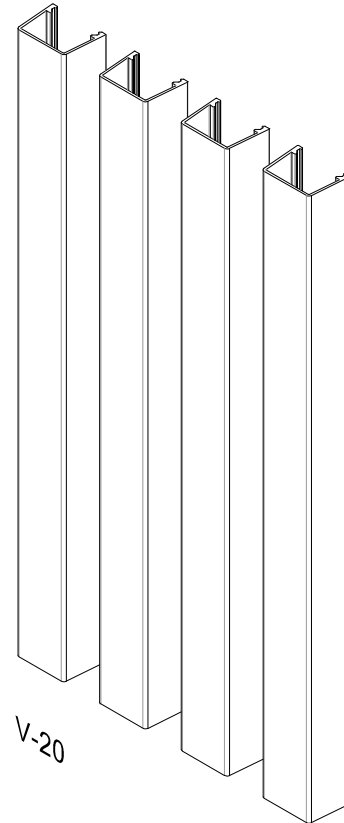
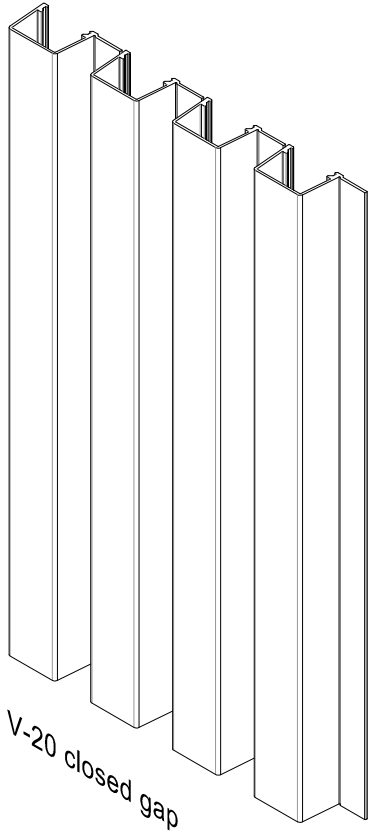
Project:
Location:
Authorization:

Revision:
Revision:

Date: December 2022
Dimensions: mm. (in.)

MINIMALCLAD

SLAT INSTALLATION OPTIONS AND COMBINATIONS



Technical department Simpleyfacil®
Specification workshop

Project:
Location:
Authorization:

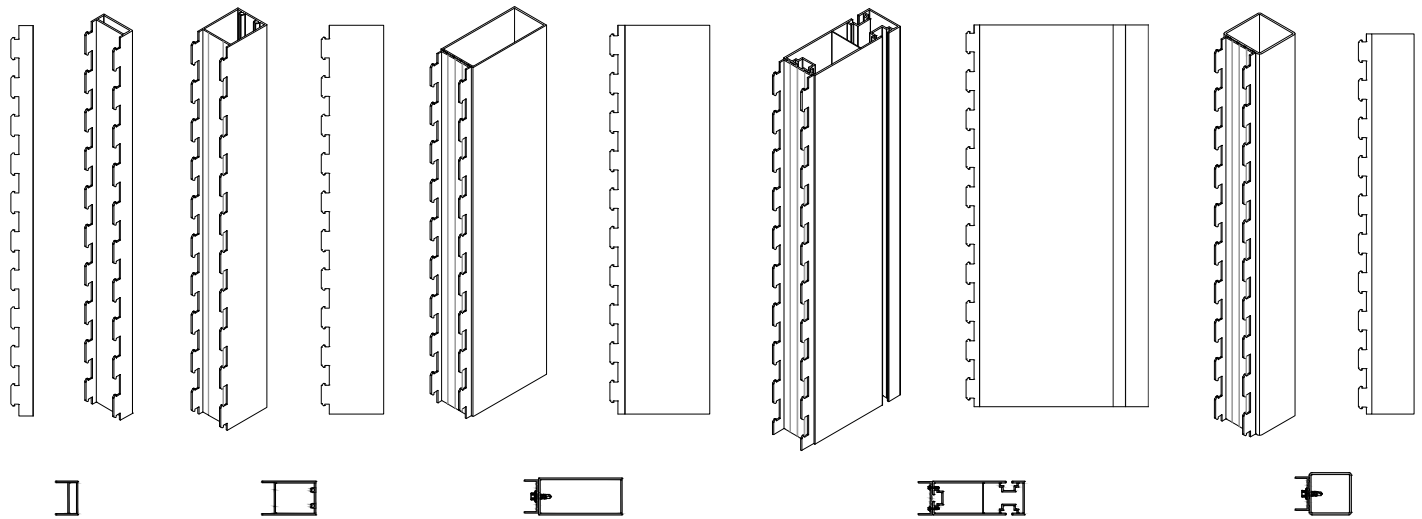
Revision:
Revision:

Date: December 2022
Dimensions: mm. (in.)

MINIMALCLAD

SELECTION OF SUPPORTS ACCORDING TO THE SEPARATION BETWEEN ANCHORS

Page 03-10



Option **A**
Die cut V7

Option **B**
Die cut V7

Option **C**
Die cut V7

Option **D**
Die cut V7

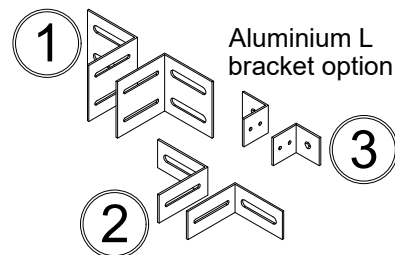
Option **E**
Die cut V7

Distances for installation of structural supports

Nm Structural support options

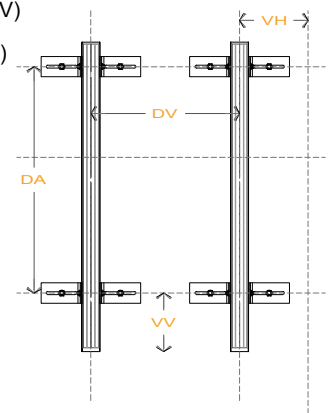
		Maximum distance (DA)	Maximum distance (DV)
A	Basic RM profile, wall covering	1300 mm. (51.18 in.)	2000 mm. (78.740 in.)
B	(T) support with die cut area 65X40 (2.55x1.57 in.)	2200 mm. (86.61 in.)	2000 mm.
C	Basic support with adapter profile 100X44 (3.93x1.73 in.)	3300 mm. (129.92 in.)	2000 mm.
D	Basic facade support with adapter profile 110X40 (4.33x1.57 in.)	4000 mm. (157.48 in.)	2000 mm.
E	Adapter profile anchored to construction site	>3300 mm.	2000 mm.

- 1 Aluminium L bracket 4 x 4 x 1/4"
- 2 Aluminium L bracket 2 x 4 x 1/4"
- 3 Aluminium L bracket 2 x 2 x 1/4"



Nm Structural support options

- DA Maximum distance between anchors of brackets
- DV Maximum distance between structural supports
- VV Maximum vertical cantilever (support) 500 mm. (19.65 in.)
- VH Maximum horizontal cantilever (slat) 200 mm. (7.87 in.)



Technical department Simpleyfacil®
Specification workshop

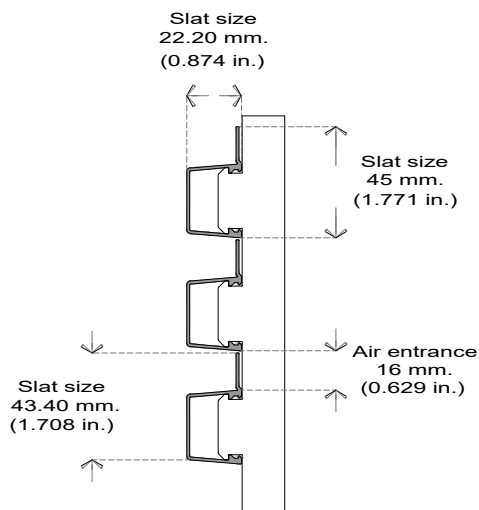
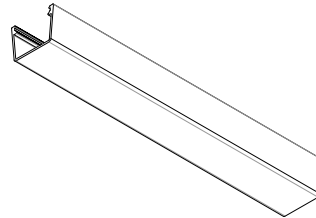
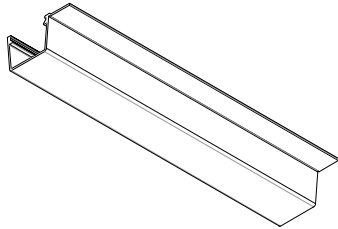
Revision:
Revision:

Project:
Location:
Authorization:

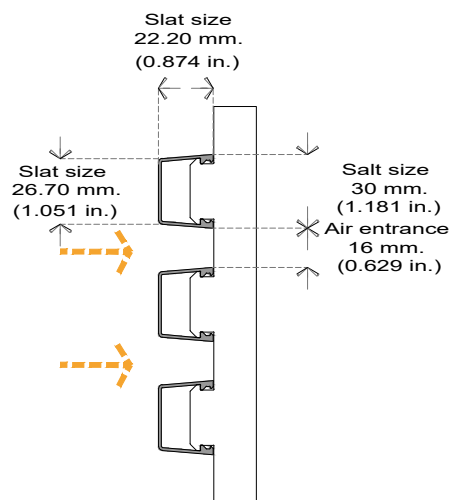
Date: December 2022
Dimensions: mm. (in.)

MINIMALCLAD

SPECIFICATION PARAMETERS AND TEST



SPM 21.74
V-20 Closed gap



SPM 21.74
V-20

Number of slats per meter (SPM)

21.74

	21.74	21.74
Clearance between slats		160.00 mm. (6.299 in)
Free area (%)	0.02%	34.80%
Water infiltration (%)	>4.00%	N.T
Air pressure drop (K value)		0.645
Thermal resistance (R value) M2°C/W		0.759
Thermal transmittance (U value) W/m2°C		N.T

Extruded aluminium alloy 6063, tempering T5, post-consumption content 51.60%, pre-consumption content 13.70% Snap-on anchored slats to vertical supports, without screws to avoid risk of oxidation

*N.T: Test not performed

Technical department Simpleyfacil®
Specification workshop

Revision:
Revision:

Project:
Location:
Authorization:

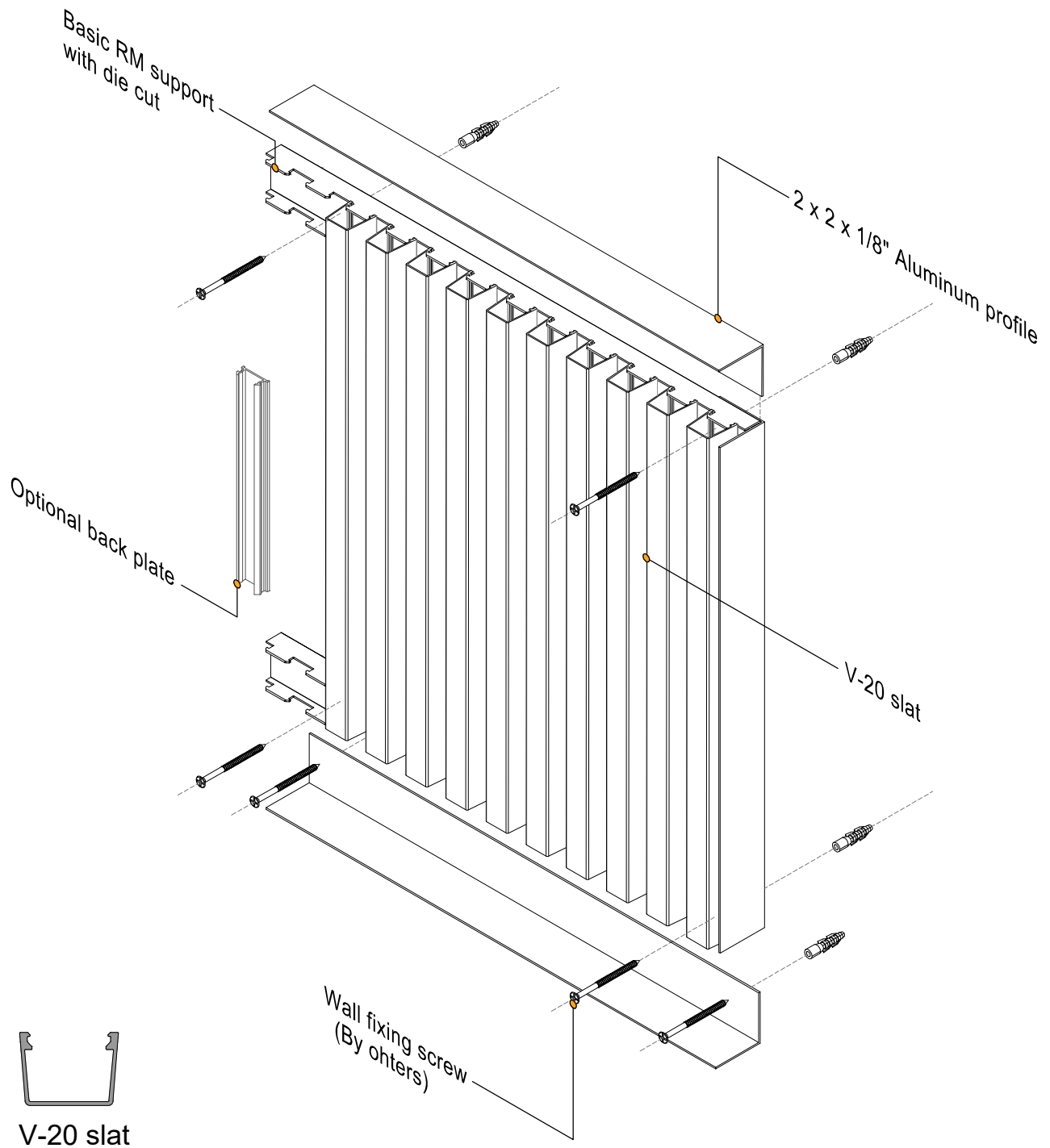
Date: December 2022
Dimensions: mm. (in.)



MINIMALCLAD

ANCHORING TO WALL, BASIC RM SUPPORT (WALL COVERING)

Page 05-10



Technical department Simpleyfácil®
Specification workshop

Project:
Location:
Authorization:

Revision:
Revision:

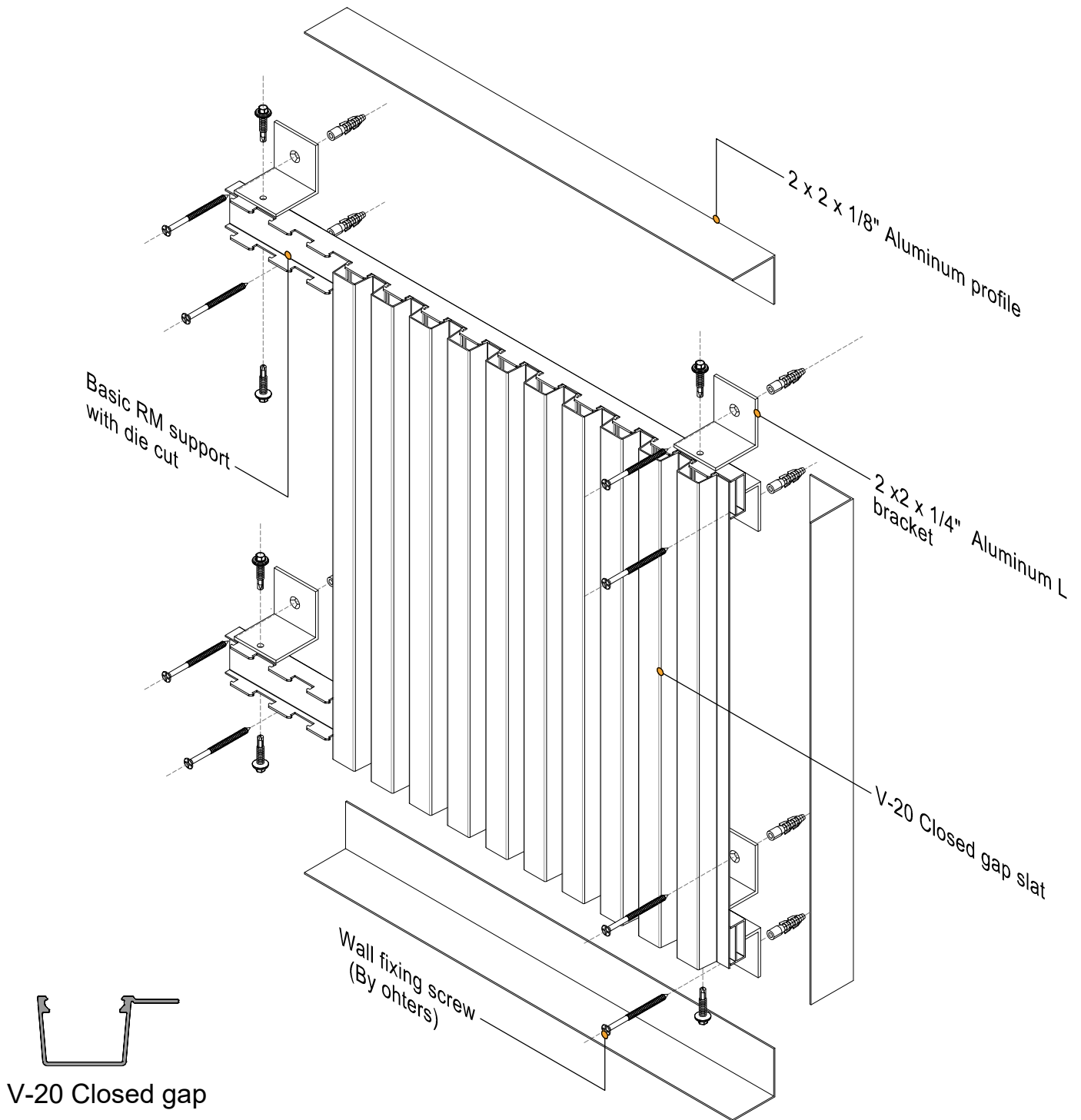
Date: December 2022
Dimensions: mm. (in.)



MINIMALCLAD

ANCHORING TO WALL, BASIC RM SUPPORT (INTERIOR WALL CLADDING)

Page 06-10



Technical department Simpleyfacil®
Specification workshop

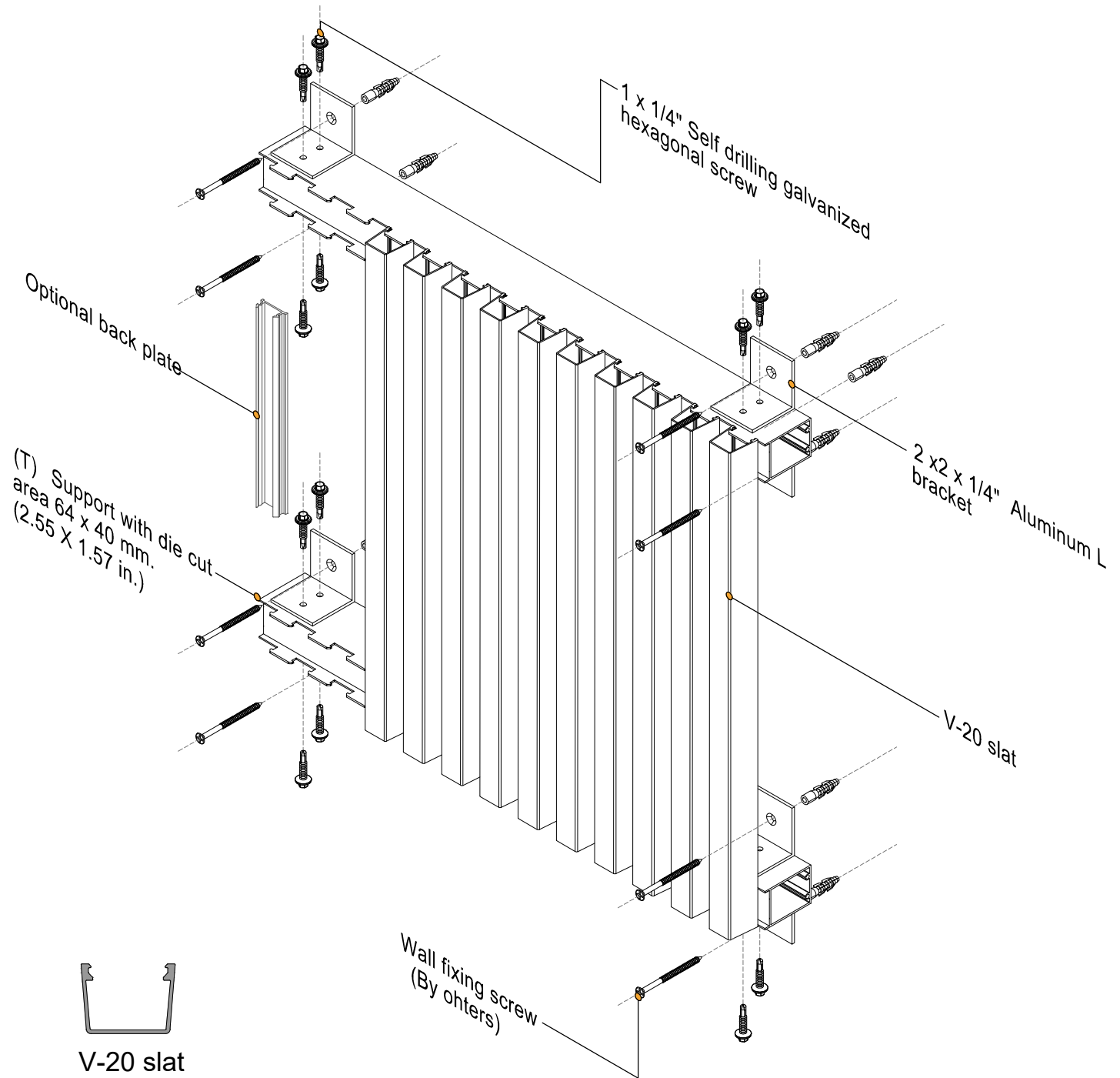
Project:
Location:
Authorization:

Revision:
Revision:
Date: December 2022
Dimensions: mm. (in.)

MINIMALCLAD

ANCHORING TO WALL, STRUCTURAL SUPPORT "T" (EXTERIOR FACADE)

Page 07-10



Technical department Simpleyfacil®
Specification workshop

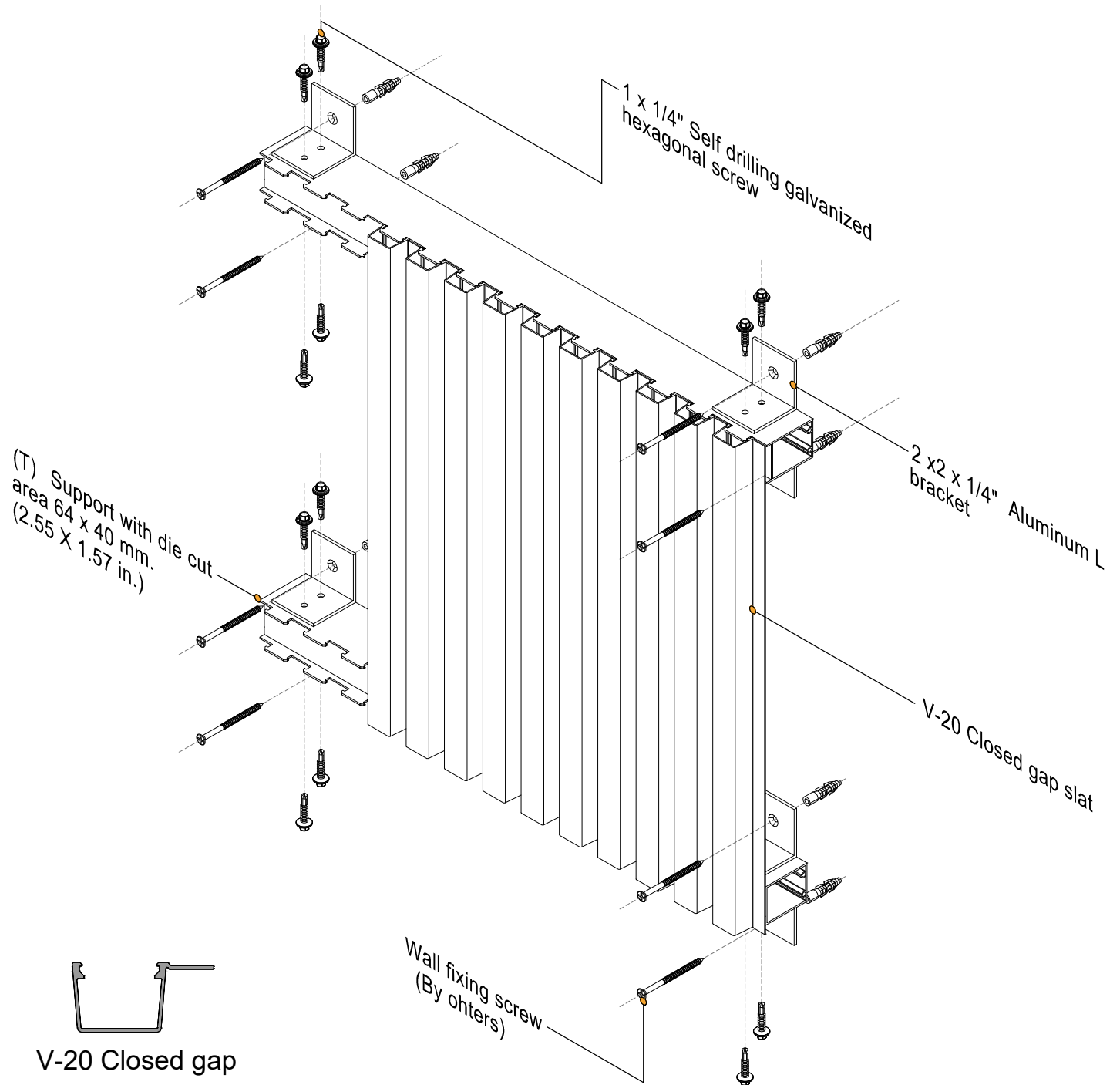
Project:
Location:
Authorization:

Revision:
Revision:
Date: December 2022
Dimensions: mm. (in.)

MINIMALCLAD

ANCHORING TO WALL, STRUCTURAL SUPPORT "T" (EXTERIOR FACADE)

Page 08-10



Technical department Simpleyfacil®
Specification workshop

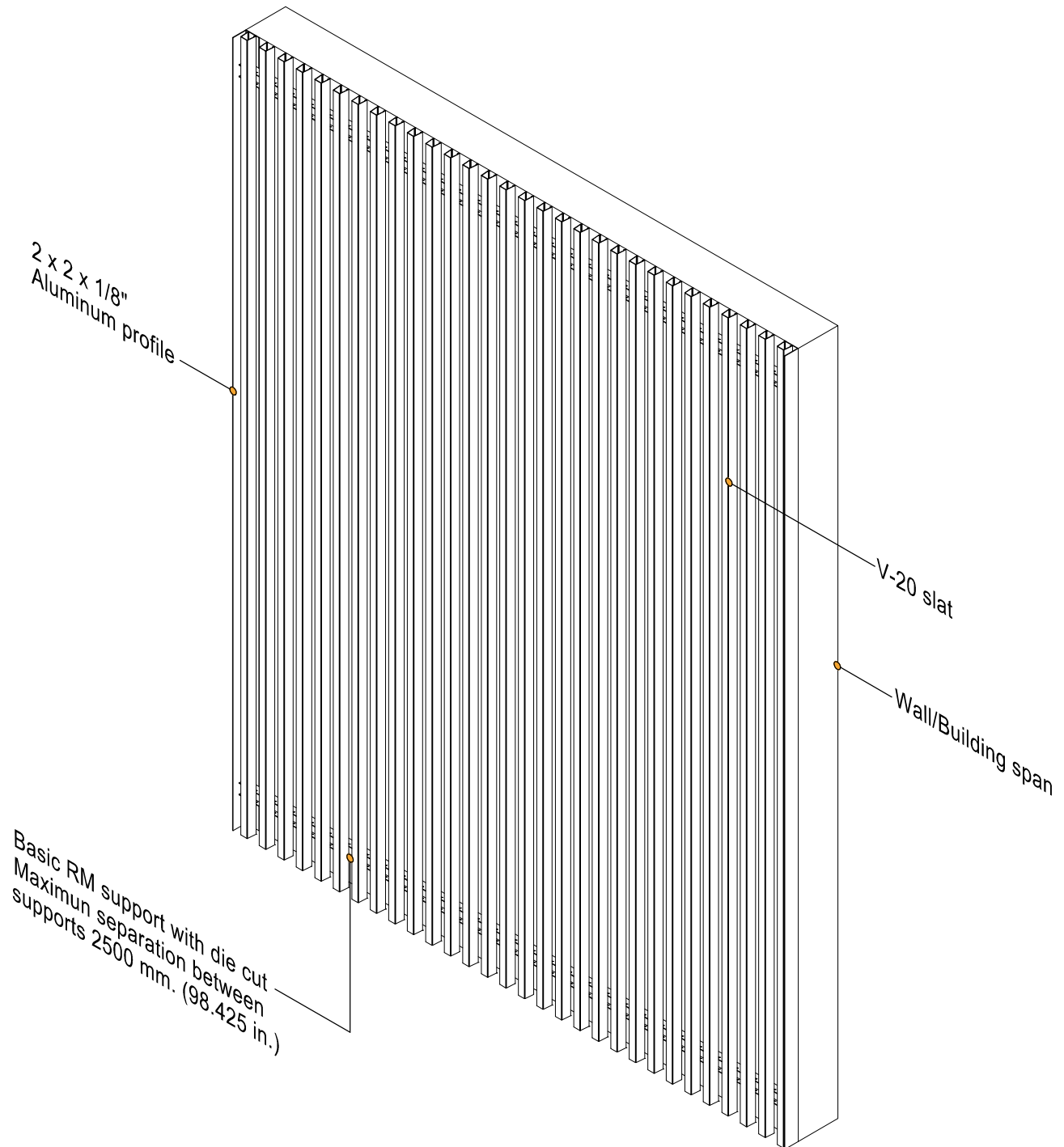
Project:
Location:
Authorization:

Revision:
Revision:
Date: December 2022
Dimensions: mm. (in.)

MINIMALCLAD

WALL COVERING PROPOSAL (V-20, EXTERIOR FACADE)

Page 09-10



Technical department Simpleyfacil®
Specification workshop

Project:
Location:
Authorization:

Revision:
Revision:

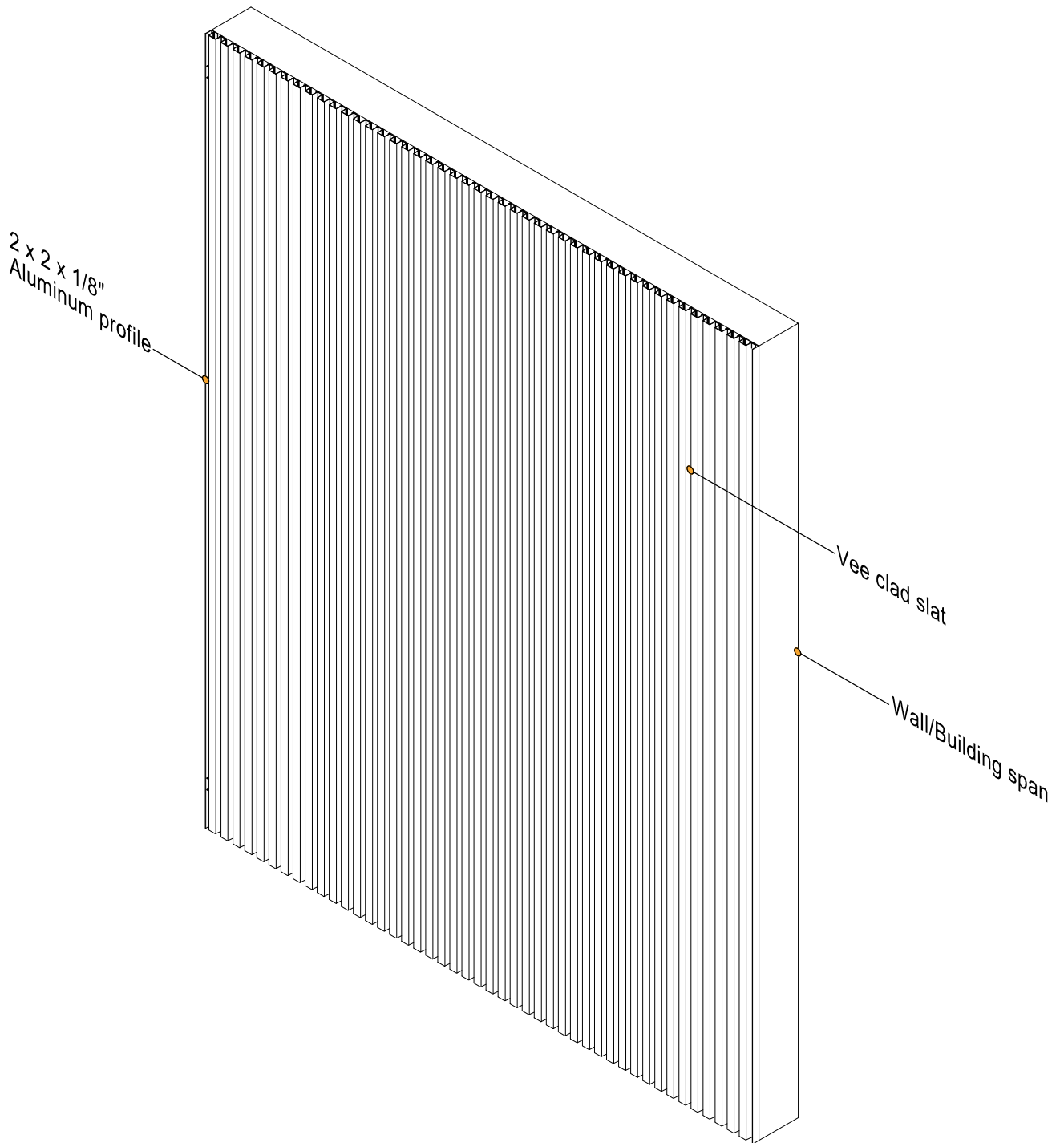
Date: December 2022
Dimensions: mm. (in.)



MINIMALCLAD

WALL COVERING PROPOSAL (VEE CLAD, EXTERIOR FACADE)

Page 10-10



Technical department Simpleyfacil®
Specification workshop

Project:
Location:
Authorization:

Revision:
Revision:

Date: December 2022
Dimensions: mm. (in.)

