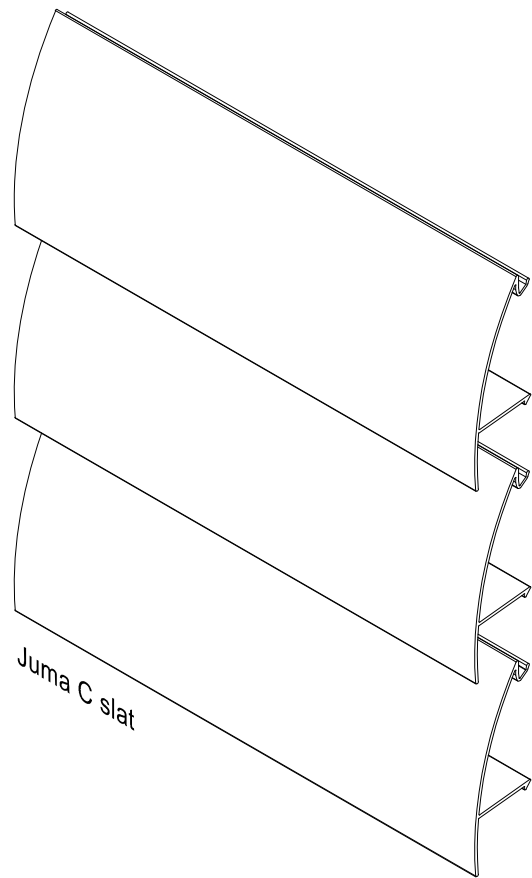
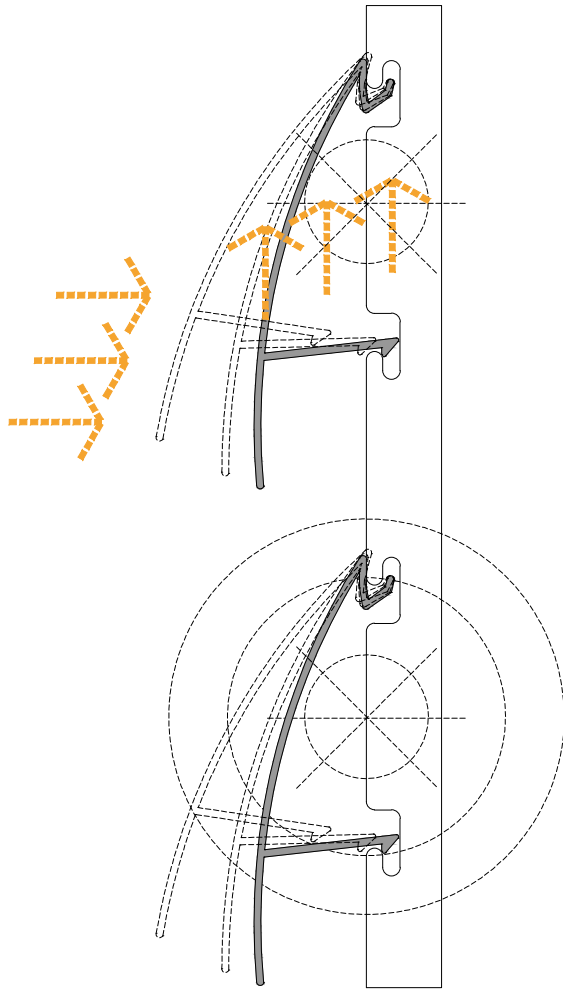


JUMA C

SNAP-ON SYSTEM

Page 01-07



Technical department Simpleyfácil®
Specification workshop

Project:
Location:
Authorization:

Revision:
Revision:

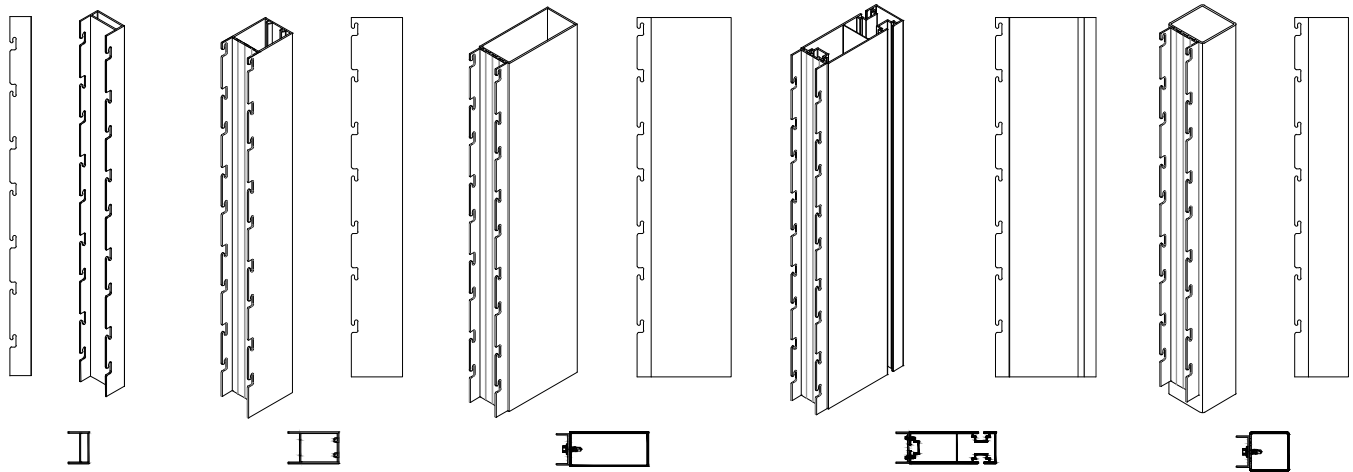
Date: August 2020
Dimensions: mm. (in.)

 **simple**
architectural®
by simpleyfácil

JUMA C

SELECTION OF SUPPORTS ACCORDING TO THE SEPARATION BETWEEN ANCHORS

Page 02-07



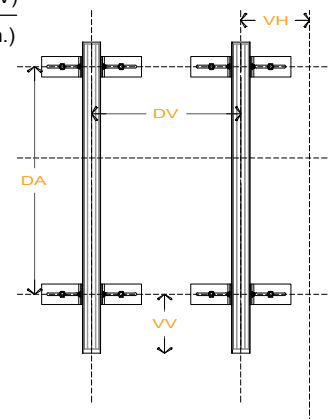
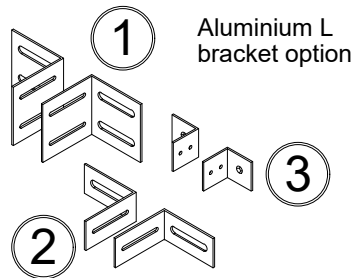
- Option **(A)** Die cut A1-A4 Option **(B)** Die cut A1-A4 Option **(C)** Die cut A1-A4 Option **(D)** Die cut A1-A4 Option **(E)** Die cut A1-A4

Distances for installation of structural supports

Nm	Structural support options	Maximum distance (DA)	Maximum distance (DV)
A	Basic RM profile, wall covering	1300 mm. (51.18 in.)	1000 mm. (39.37 in.)
B	(T) support with die cut area 65X40 (2.55x1.57 in.)	2200 mm. (86.61 in.)	1000 mm.
C	Basic support with adapter profile 100X44 (3.93x1.73 in.)	3300 mm. (129.92 in.)	1000 mm.
D	Basic facade support with adapter profile 110X40 (4.33x1.57 in.)	4000 mm. (157.48 in.)	1000 mm.
E	Adapter profile anchored to construction site	>4000 mm.	1000 mm.

- 1 Aluminium L bracket 4 x 4 x 1/4"
- 2 Aluminium L bracket 2 X 4 x 1/4"
- 3 Aluminium L bracket 2 X 2 x 1/4"

Nm	Structural support options
DA	Maximum distance between anchors of brackets
DV	Maximum distance between structural supports
VV	Maximum vertical cantilever (support) 500 mm. (19.65 in.)
VH	Maximum horizontal cantilever (slat) 200 mm. (7.87 in.)



Technical department Simpleyfacil®
Specification workshop

Revision:
Revision:

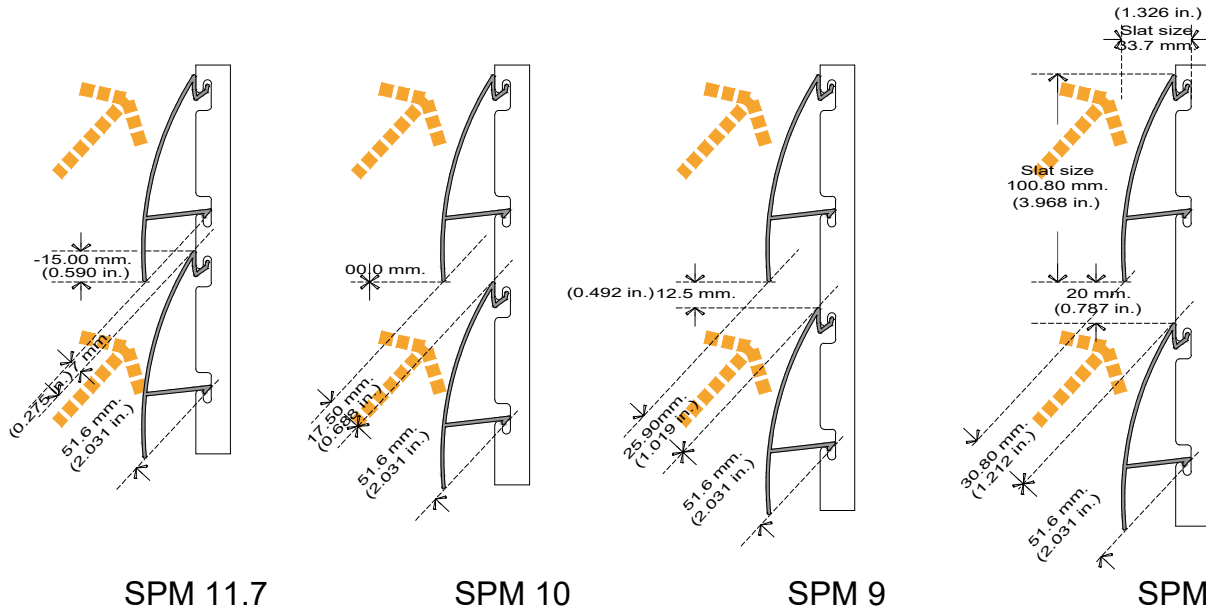
Project:
Location:
Authorization:

Date: August 2020
Dimensions: mm. (in.)



JUMA C

SPECIFICATION PARAMETERS AND TEST



Number of slats per meter (SPM)

	11.76	10.00	9.00	8.50
Clearance between slats	(-)15.00 mm. (0.590 in.)	0.00 mm.	12.50 mm. (0.039 in.)	20.00 mm. (0.787 in.)
Free area (%)	14.44%	25.34%	33.46%	37.42%
Wind load resistance	>249 k/h (5455 Pa)		Category 5	
Water infiltration (%)	0.06 %	6.98 %	N.T	N.T
Air pressure drop (K value)	N.T	N.T	N.T	N.T
Thermal resistance (R value)	N.T	N.T	N.T	N.T
Thermal transmittance (U value)	N.T	N.T	N.T	N.T
Emittance according to ASTM C 1371 / Clear anodized an raw aluminium				0.645
Reflectance according to ASTM C 1549 / Clear anodized and raw aluminium				0.759
Accelerated aging to ASTM G151 / Clear anodized an raw aluminium				0.000

Extruded aluminium alloy 6063, tempering T5, post-consumption content 51.60%, pre-consumption content 13.70% Snap-on anchored slats to vertical supports, without screws to avoid risk of oxidation

*N.T: Test not performed



The results of the tests or calculations contemplated in this technical sheet, have the recognition of the Valor AMEVEC program, endorsed by the Asociación Mexicana de Ventanas y Cerramientos A.C. You can scan the QR code to verify its integrity and validity.

Technical department Simpleyfacil®
Specification workshop

Revision:
Revision:

Project:
Location:
Authorization:

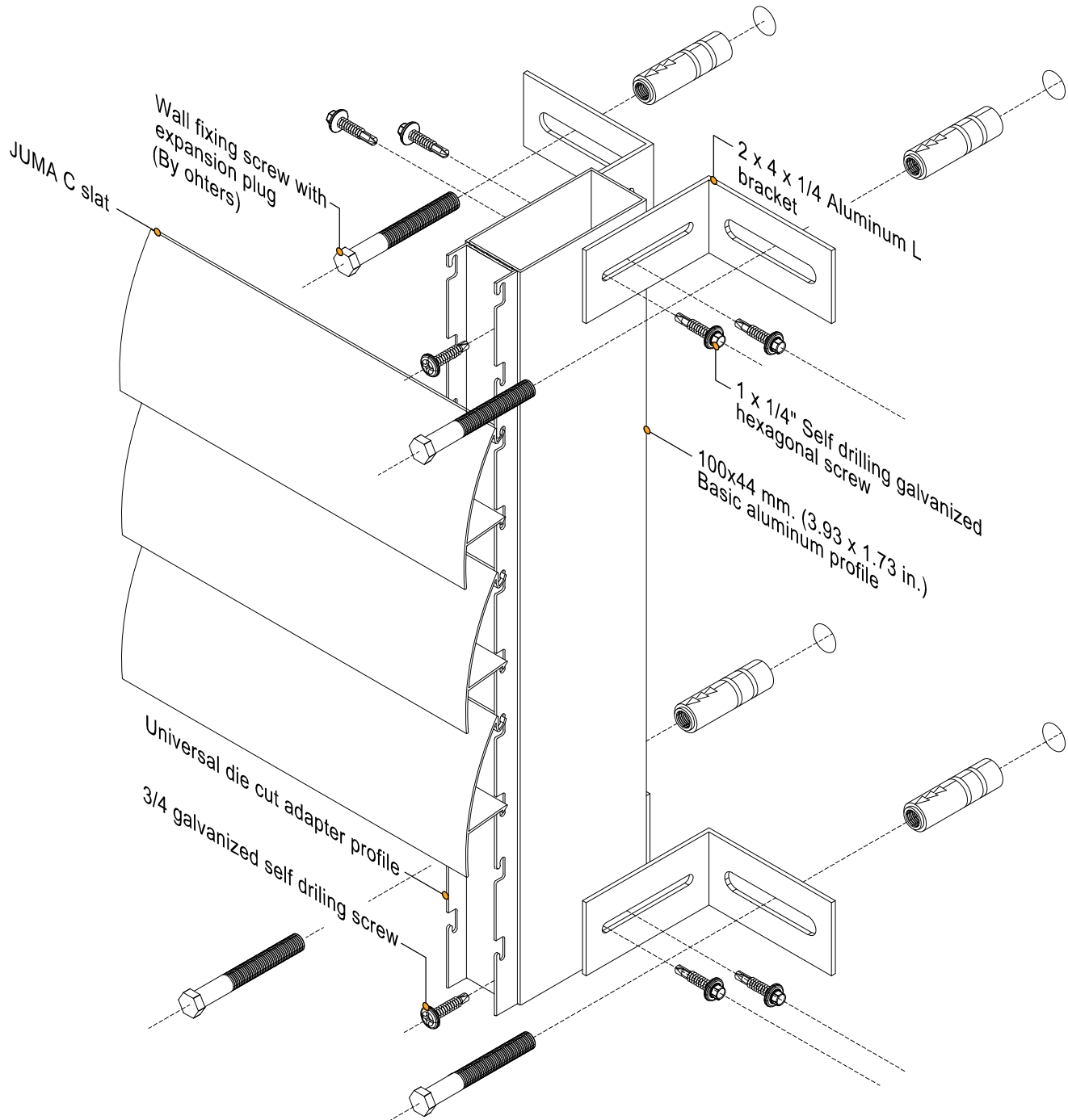
Date: August 2020
Dimensions: mm. (in.)



JUMA C

ANCHORING TO SLABS WITH STRUCTURAL SUPPORT 100 X 44 mm. (3.93X1.73 in.)

Page 04-07



Technical department Simpleyfacil®
Specification workshop

Project:
Location:
Authorization:

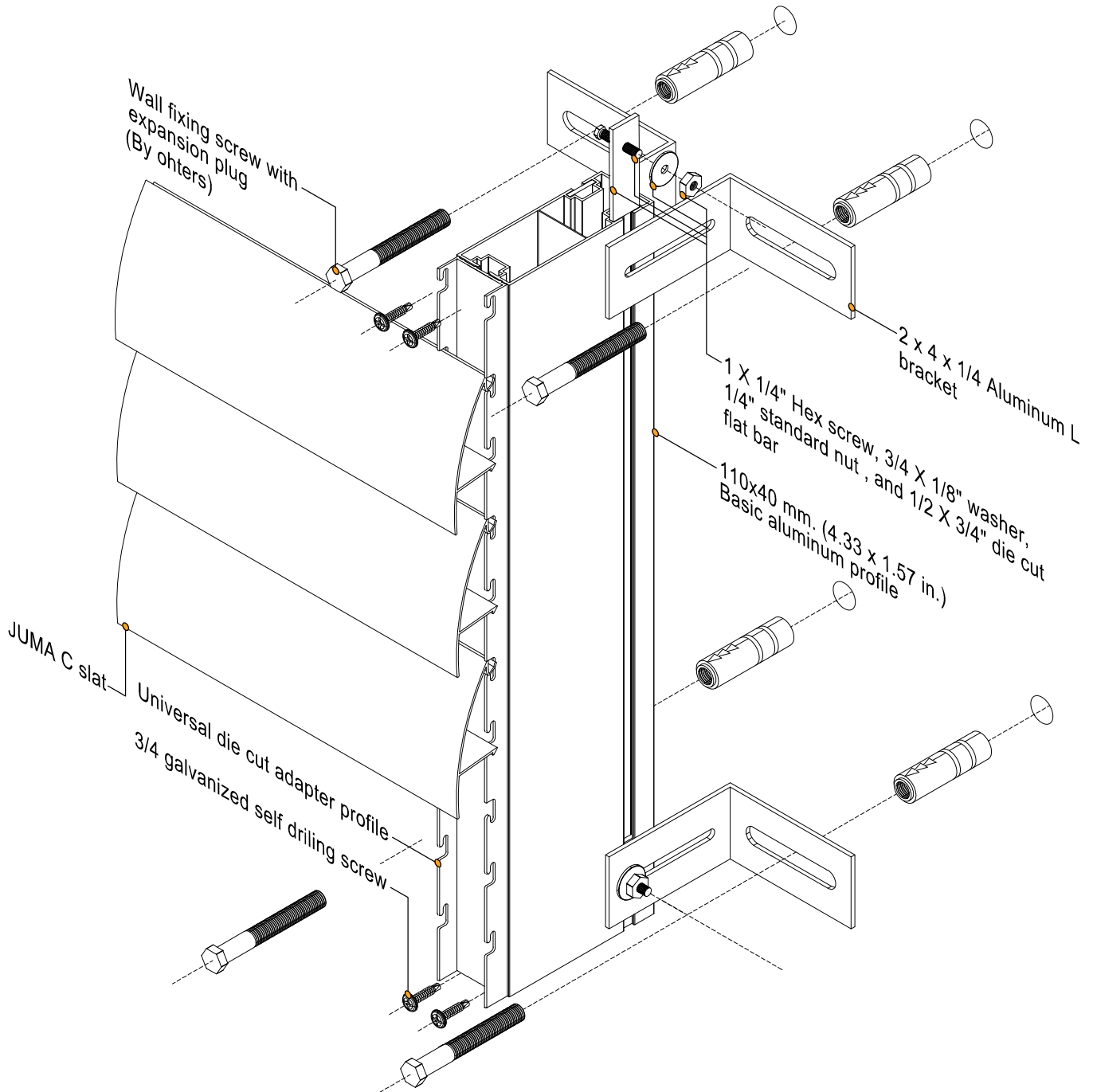
Revision:
Revision:
Date: August 2020
Dimensions: mm. (in.)



JUMA C

ACHORING TO SLABS WITH STRUCTURAL SUPPORT 110 X 40 mm. (4.33X1.57 in.)

Page 05-07



Technical department Simpleyfacil®
Specification workshop

Project:
Location:
Authorization:

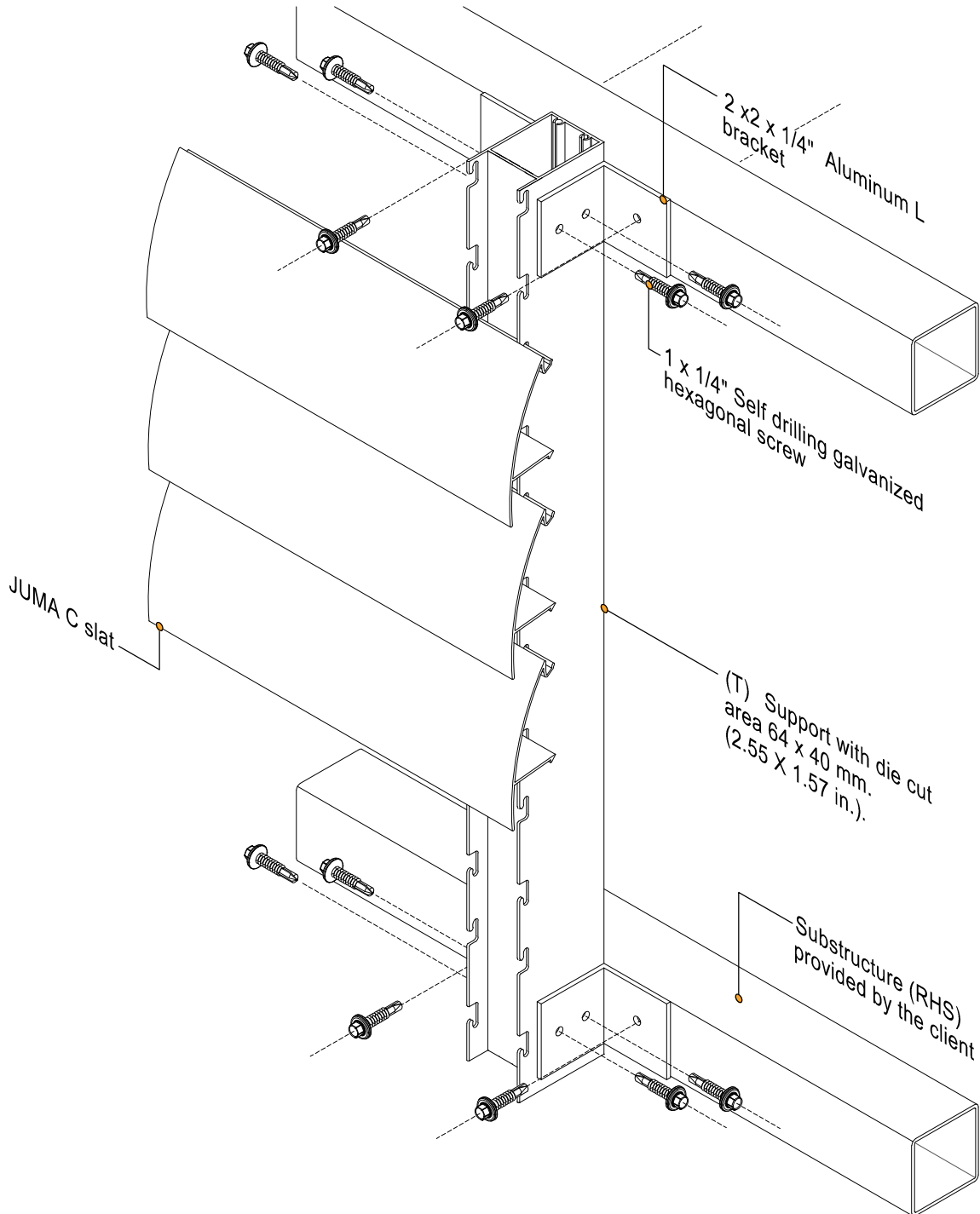
Revision:
Revision:
Date: August 2020
Dimensions: mm. (in.)



JUMA C

ANCHORAGE TO SUB STRUCTURE WITH STRUCTURAL SUPPORT
(T) 65 X 40 mm. (2.55 X 1.57 in.)

Page 06-07



Technical department Simpleyfacil®
Specification workshop

Project:
Location:
Authorization:

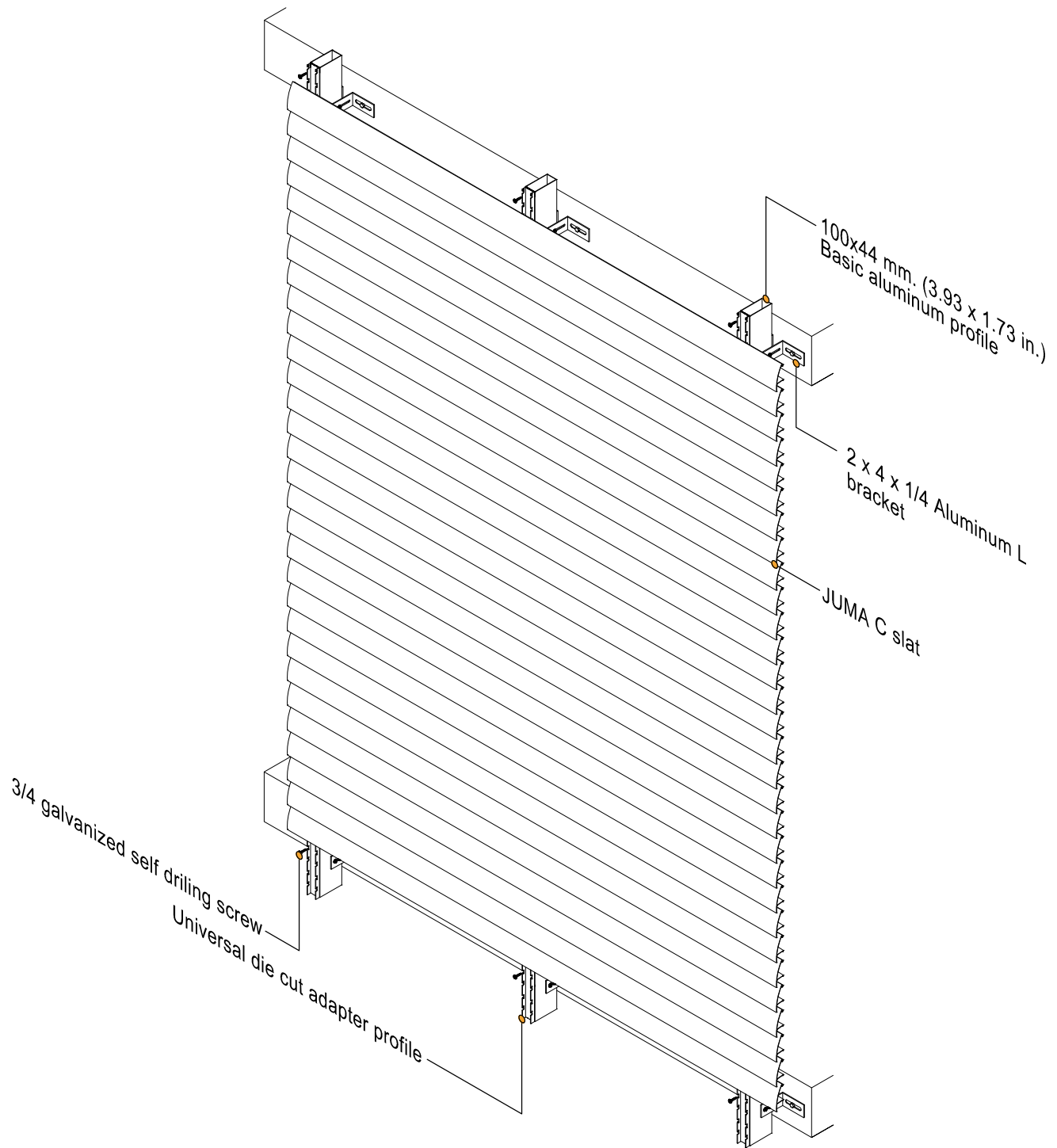
Revision:
Revision:
Date: August 2020
Dimensions: mm. (in.)



JUMA C

DYNAMIC VENTILATED FACADE PROPOSAL

Page 07-07



Technical department Simpleyfacil®
Specification workshop

Project:
Location:
Authorization:

Revision:
Revision:
Date: August 2020
Dimensions: mm. (in.)

