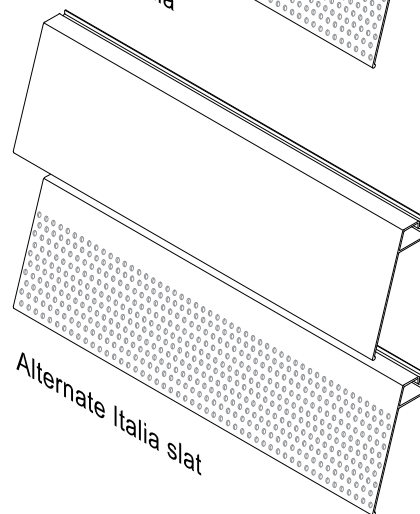
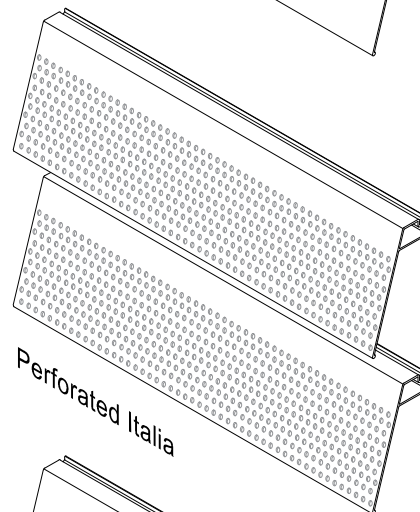
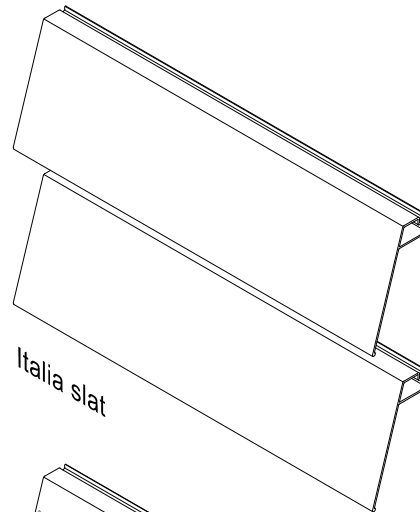
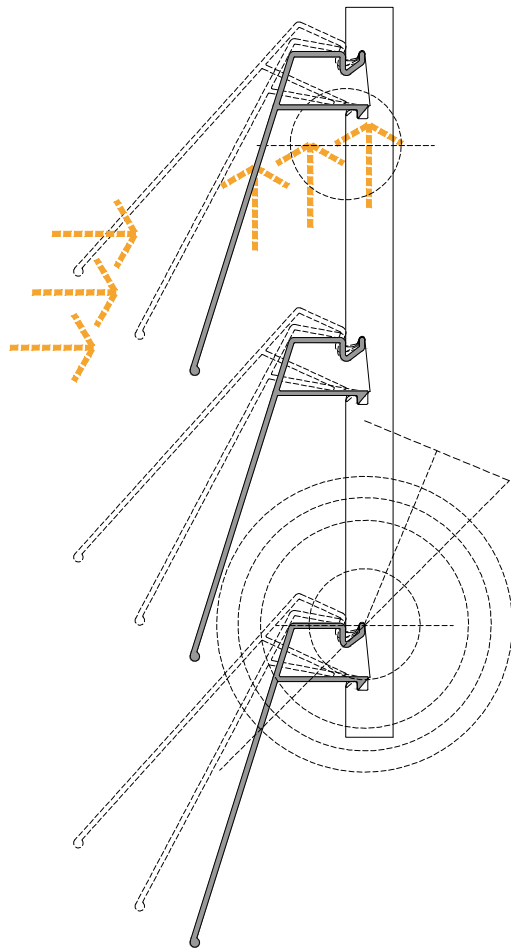


ITALIA

SNAP-ON SYSTEM

Page 01-07



Technical department Simpleyfácil®
Specification workshop

Project:
Location:
Authorization:

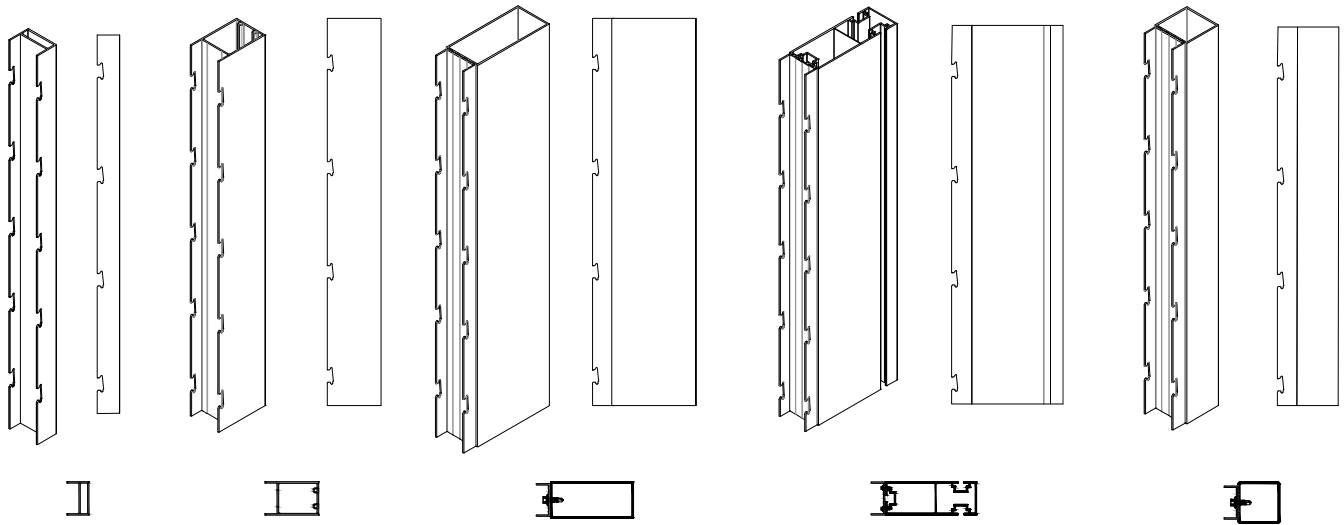
Revision:
Revision:
Date: September 2020
Dimensions: mm. (in.)



ITALIA

SELECTION OF SUPPORTS ACCORDING TO THE SEPARATION BETWEEN ANCHORS

Page 02-07



Option **(A)**
Die cut E2

Option **(B)**
Die cut E2

Option **(C)**
Die cut E2

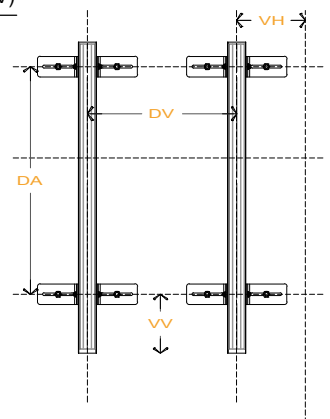
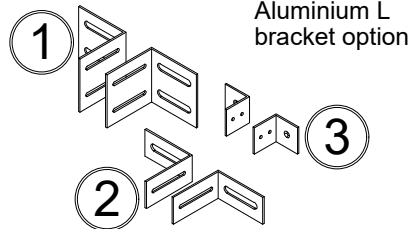
Option **(D)**
Die cut E2

Option **(E)**
Die cut E2

Distances for installation of structural supports

Nm	Structural support options	Maximum distance (DA)	Maximum distance (DV)
A	Basic RM profile, wall covering	1300 mm. (51.18 in.)	1300 mm. (51.18 in.)
B	(T) support with die cut area 65X40 (2.55x1.57 in.)	2200 mm. (86.61 in.)	1200 mm. (47.24 in.)
C	Basic support with adapter profile 100X44 (3.93x1.73 in.)	3300 mm. (129.92 in.)	1200mm.
D	Basic facade support with adapter profile 110X40 (4.33x1.57 in.)	4000 mm. (157.48 in.)	1200mm.
E	Adapter profile anchored to construction site	>4000 mm.	1200 mm.

- 1 Aluminium L bracket 4 x 4 x 1/4"
- 2 Aluminium L bracket 2 X 4 x 1/4"
- 3 Aluminium L bracket 2 X 2 x 1/4"



- Nm Structural support options
- DA Maximum distance between anchors of brackets
- DV Maximum distance between structural supports
- VV Maximum vertical cantilever (support) 500 mm. (19.65 in.)
- VH Maximum horizontal cantilever (slat) 200 mm. (7.87in.)

Technical department Simpleyfacil®
Specification workshop

Revision:
Revision:

Project:
Location:
Authorization:

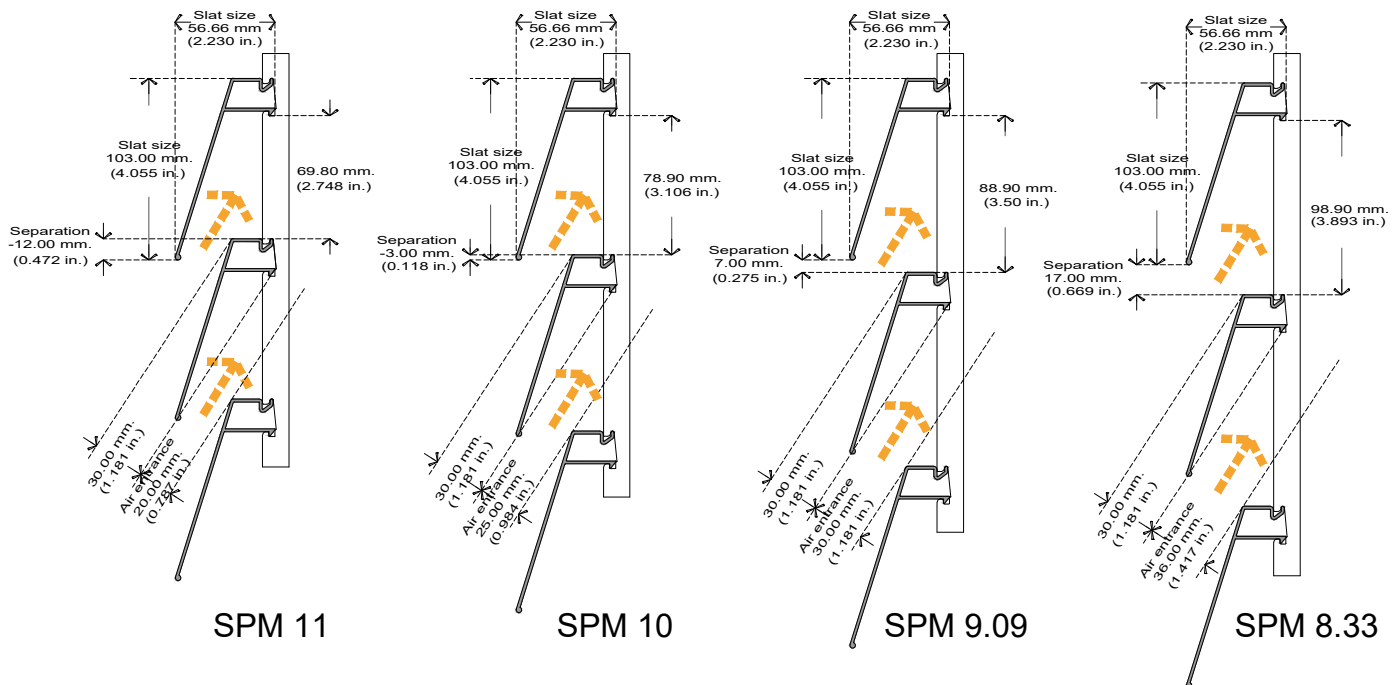
Date: September 2020
Dimensions: mm. (in.)



EDGE

SPECIFICATION PARAMETERS AND TEST

Page 03-07



Number of slats per meter (SPM)

	11.00	10.00	9.09	8.33
Clearance between slats	(-)12.10 mm. (0.476 in.)	(-) 3.00 mm. (0.118 in.)	7.00 mm. (0.275 in.)	17.00 mm. (0.669 in.)
Free area (%)	37.74%	42.86%	47.06%	51.36%
Wind load resistance			N.T	
Water infiltration (%)			N.T	
Air pressure drop (K value)	1.028	1.026	1.025	1.027
Thermal resistance (R value) M2°C/W			N.T	
Thermal transmittance (U value) W/m2°C			N.T	
Emittance according to ASTM C 1371 / Clear anodized an raw aluminium			0.645	
Reflectance according to ASTM C 1549 / Clear anodized and raw aluminium			0.759	
Accelerated aging to ASTM G151 / Clear anodized an raw aluminium			N.T	

Extruded aluminium alloy 6063, tempering T5, post-consumption content 51.60%, pre-consumption content 13.70% Snap-on anchored slats to vertical supports, without screws to avoid risk of oxidation

*N.T: Test not performed



The results of the tests or calculations contemplated in this technical sheet, have the recognition of the Valor Aমেবেক program, endorsed by the Asociación Mexicana de Ventanas y Cerramientos A.C. You can scan the QR code to verify its integrity and validity.

Technical department fácilfaçades®
Specification workshop

Project:
Location:
Authorization:

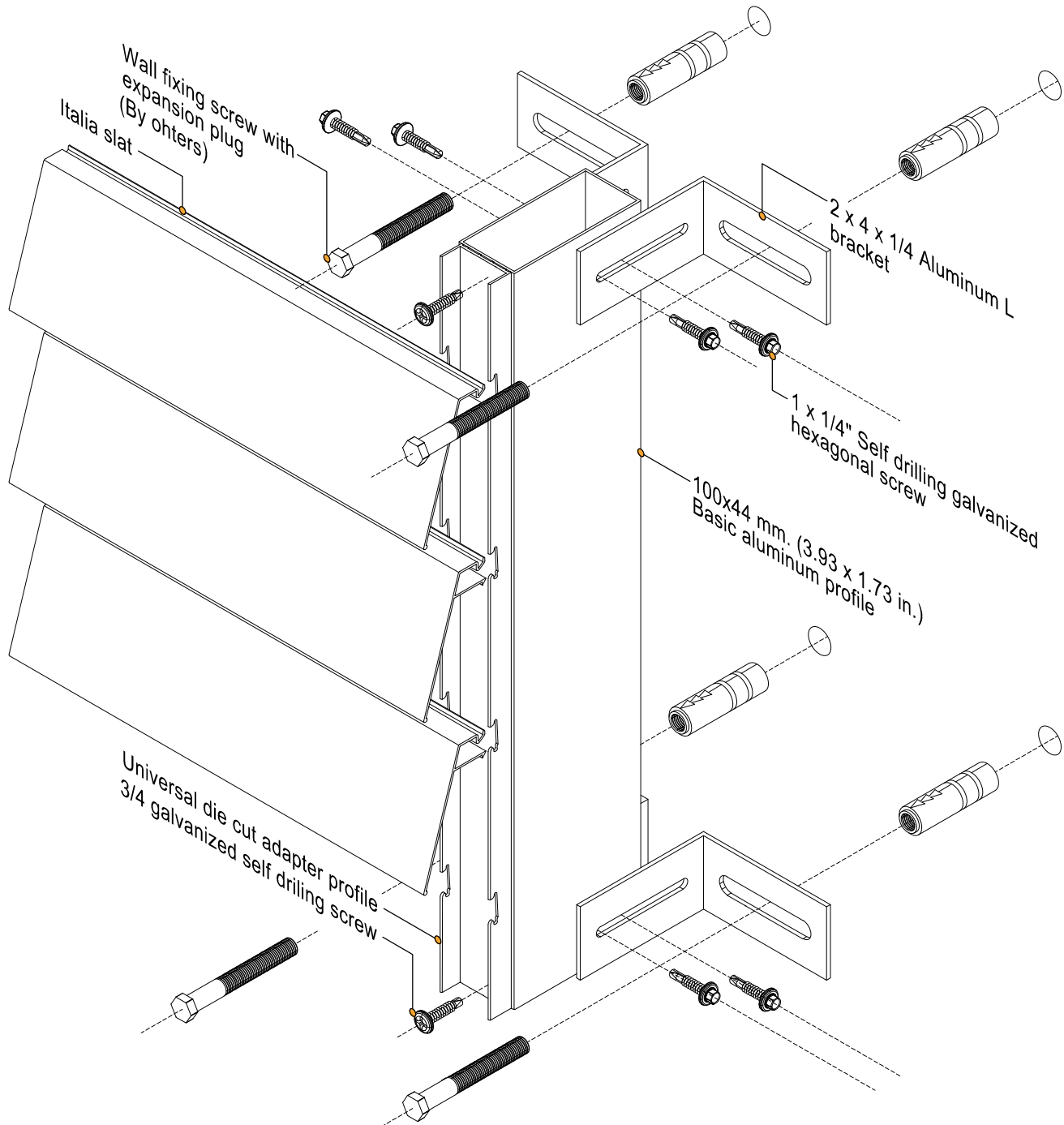
Revision:
Revision:
Date: September 2020
Dimensions: mm. (in.)



ITALIA

ANCHORING TO SLABS WITH STRUCTURAL SUPPORT 100 X 44 mm. (3.93X1.73 in.)

Page 04-07



Technical department Simpleyfacil®
Specification workshop

Project:
Location:
Authorization:

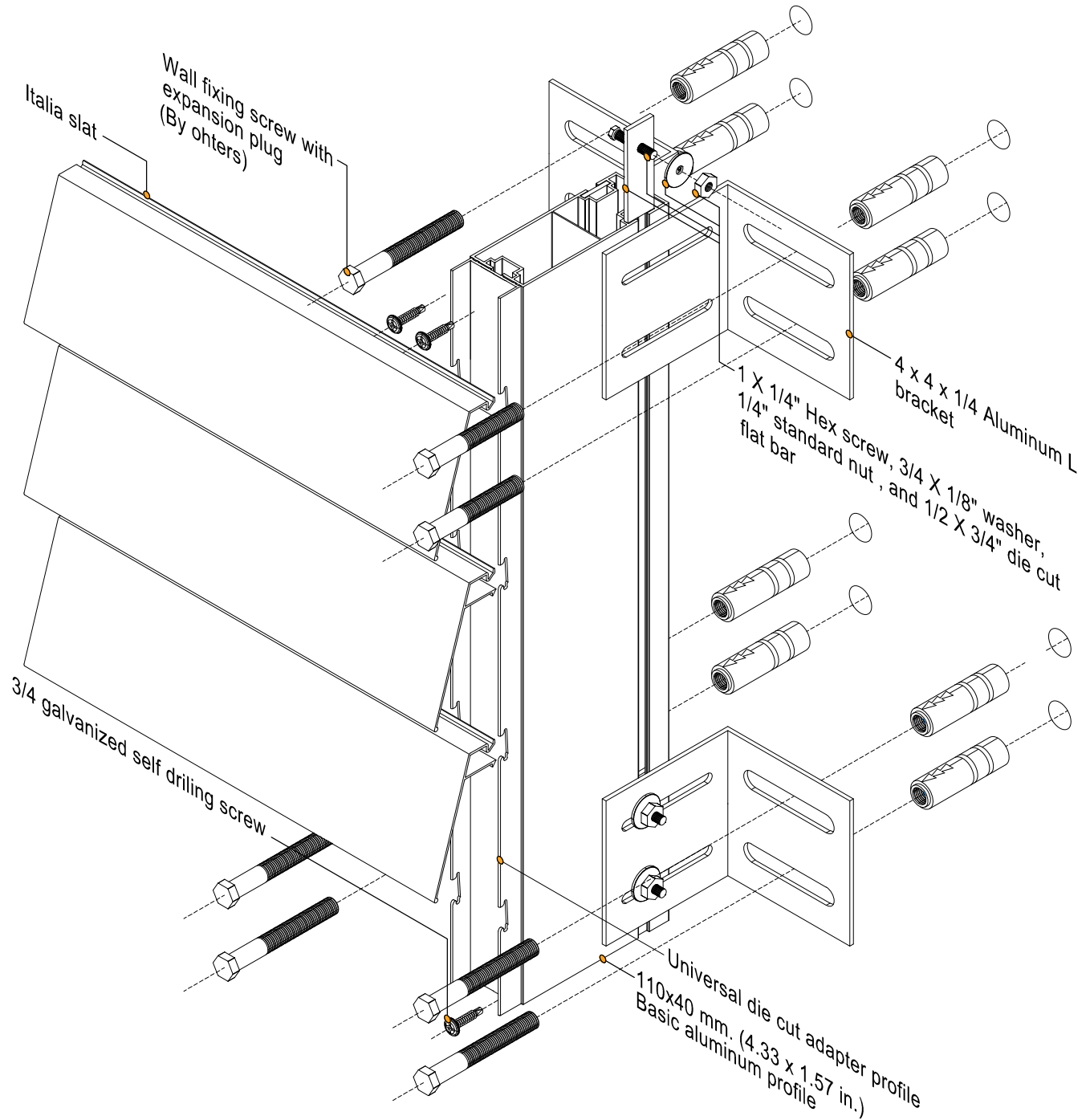
Revision:
Revision:
Date: September 2020
Dimensions: mm. (in.)



ITALIA

ACHORING TO SLABS WITH STRUCTURAL SUPPORT 110 X 40 mm. (4.33X1.57 in.)

Page 05-07



Technical department Simpleyfacil®
Specification workshop

Project:
Location:
Authorization:

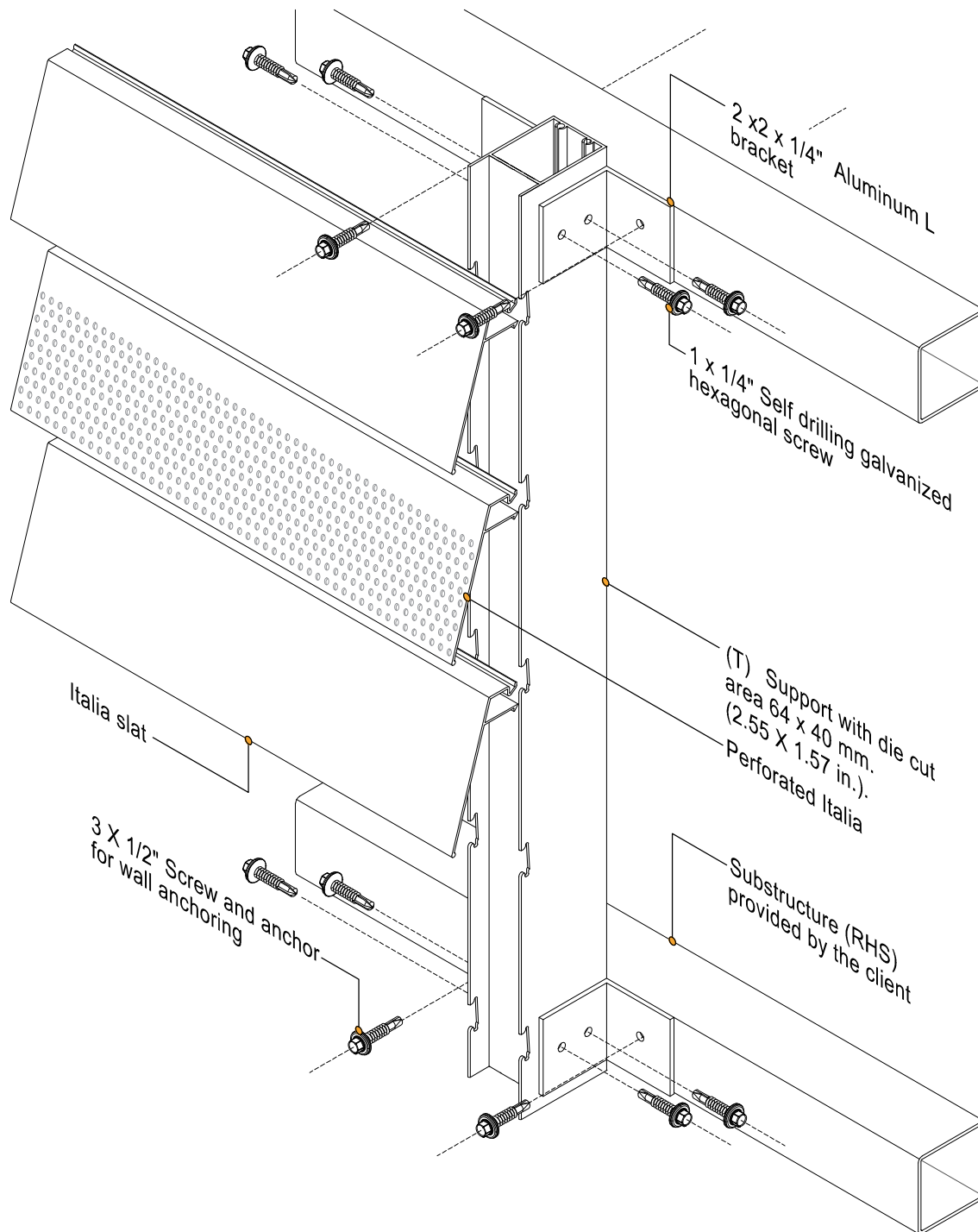
Revision:
Revision:
Date: September 2020
Dimensions: mm. (in.)



ITALIA

ANCHORAGE TO SUB STRUCTURE WITH STRUCTURAL SUPPORT
(T) 65 X 40 mm. (2.55 X 1.57 in.)

Page 06-07



Technical department Simpleyfacil®
Specification workshop

Project:
Location:
Authorization:

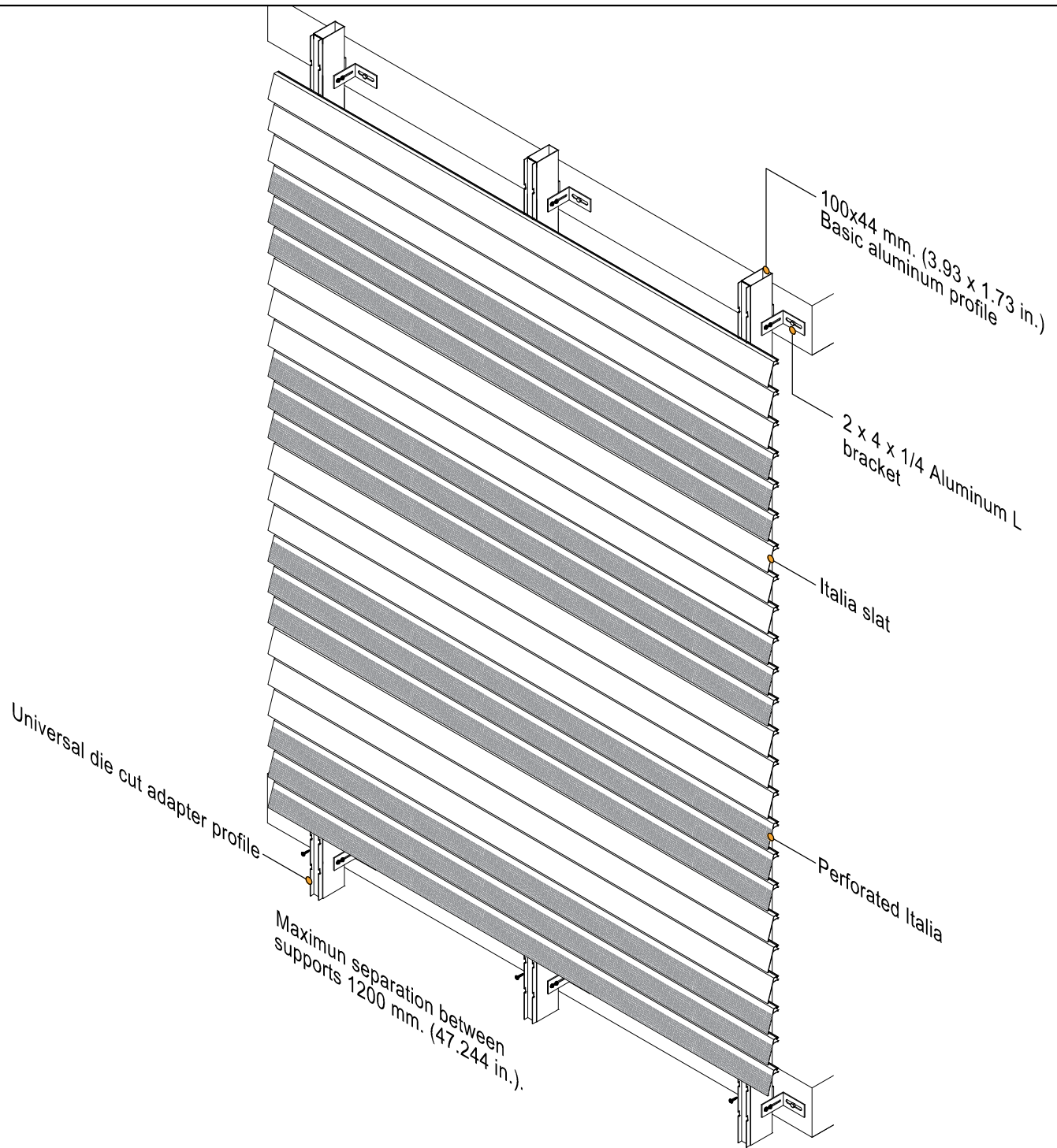
Revision:
Revision:
Date: September 2020
Dimensions: mm. (in.)



ITALIA

DYNAMIC VENTILATED FACADE PROPOSAL

Page 07-07



Technical department Simpleyfacil®
Specification workshop

Project:
Location:
Authorization:

Revision:
Revision:
Date: September 2020
Dimensions: mm. (in.)

