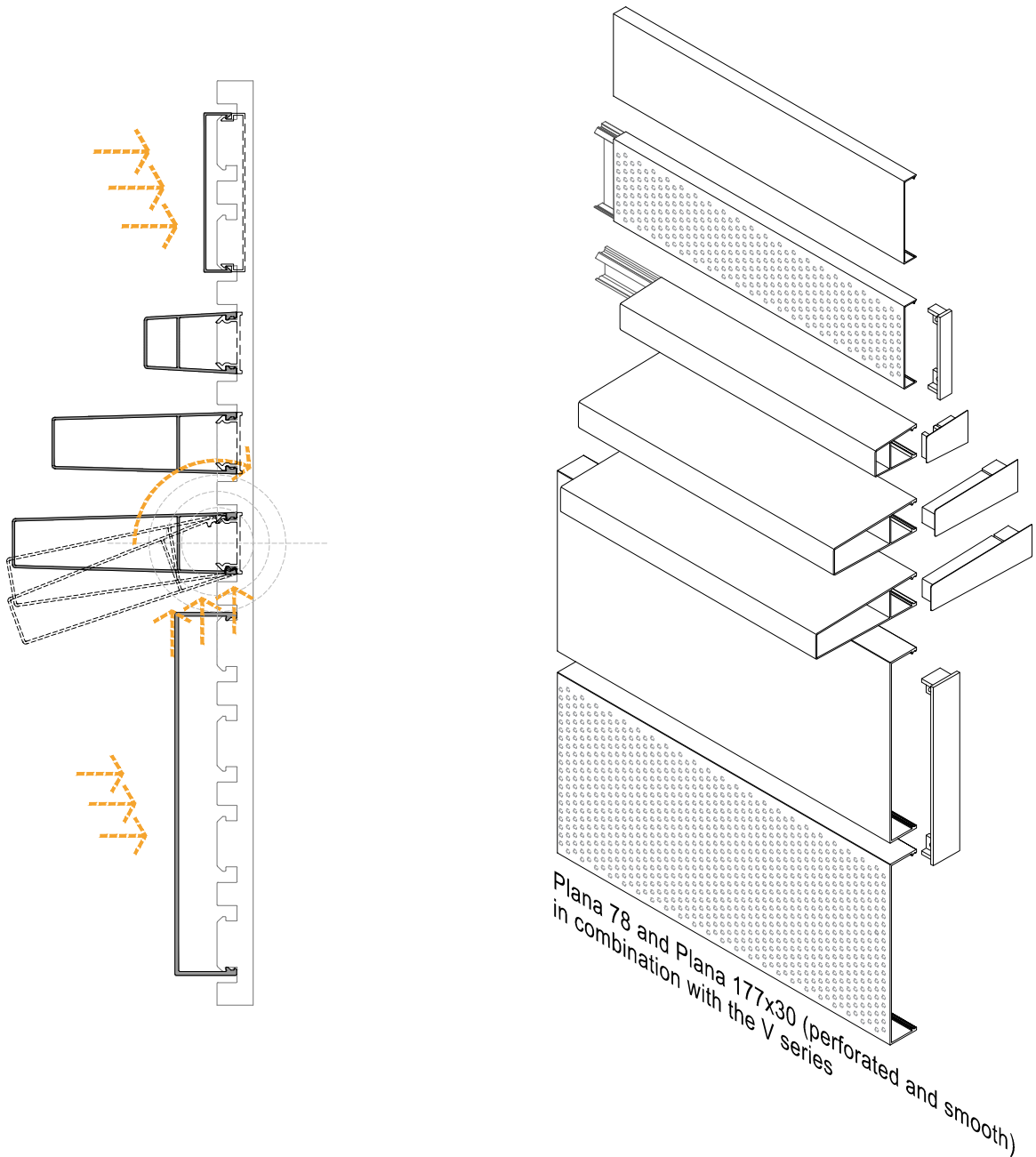


EASYWALL FACADE

SNAP-ON SYSTEM, COMBINATION OF PLANA 78 AND PLANA 177X30 WITH V SERIES

Page 01-07



Technical department Simpleyfacil®
Specification workshop

Project:
Location:
Authorization:

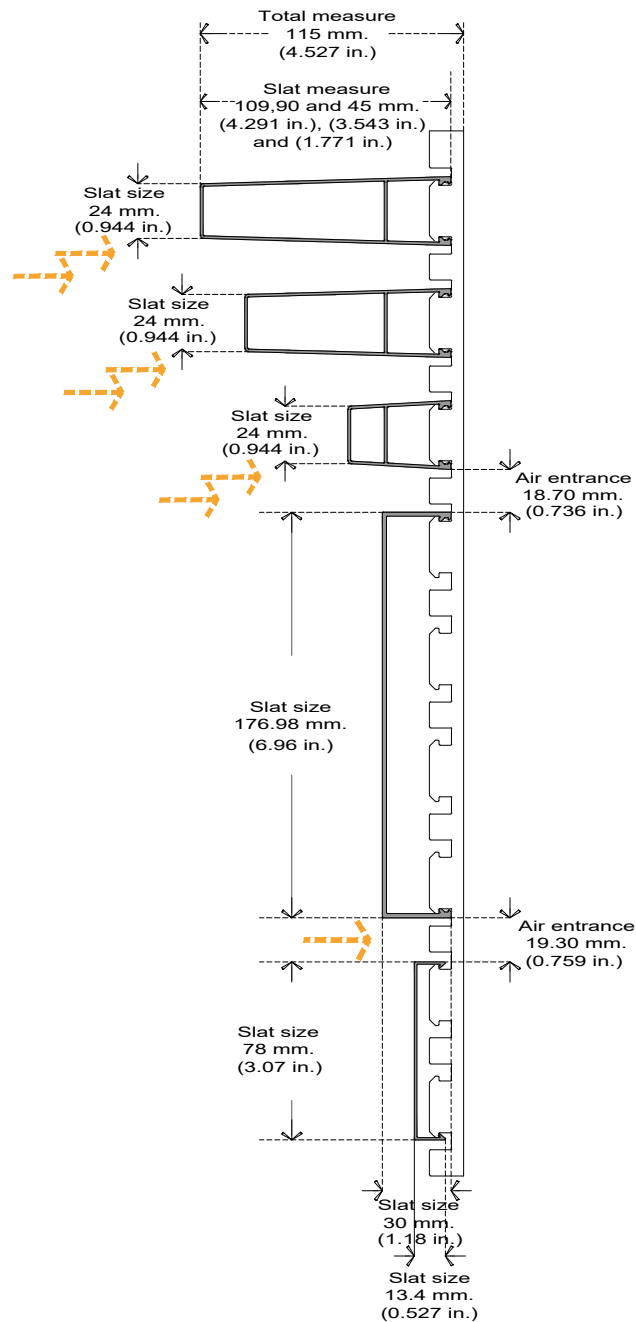
Revision:
Revision:
Date: September 2020
Dimensions: mm. (in.)



EASYWALL FACADE

DETAIL PLANA 78 AND PLANA 177x30 IN ITS COMBINATION WITH THE V SERIES

Page 02-07



Technical department Simpleyfacil®
Specification workshop

Project:
Location:
Authorization:

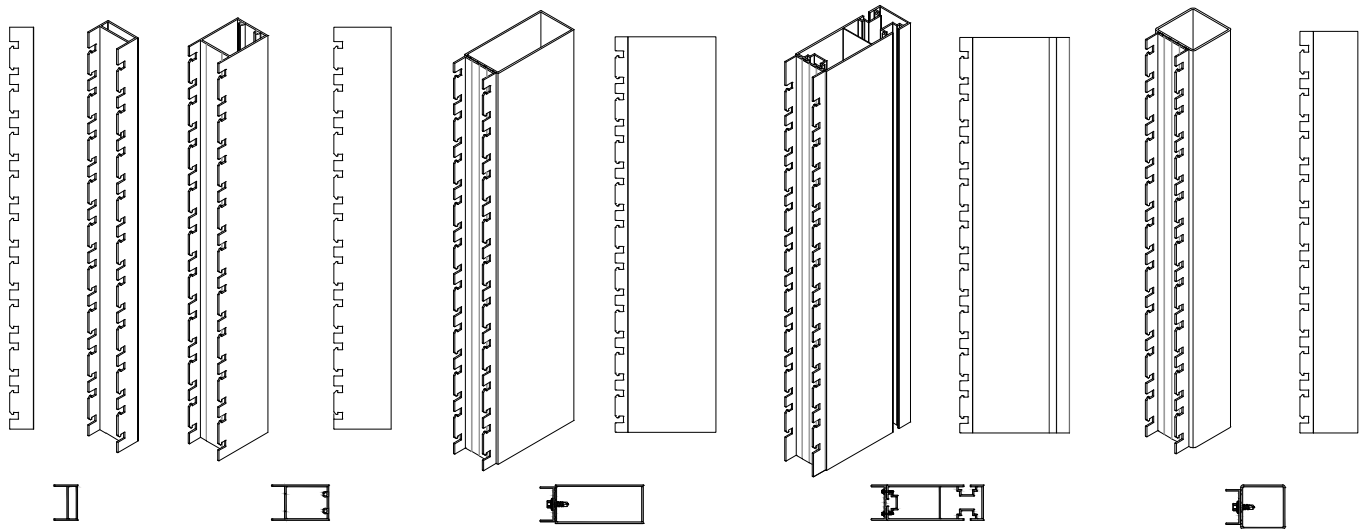
Revision:
Revision:
Date: September 2020
Dimensions: mm. (in.)



EASYWALL FACADE

SELECTION OF SUPPORTS ACCORDING TO THE SEPARATION BETWEEN ANCHORS
 PLANA 78 AND PLANA 177X30 IN COMBINATION WITH THE V SERIES

Page 03-07



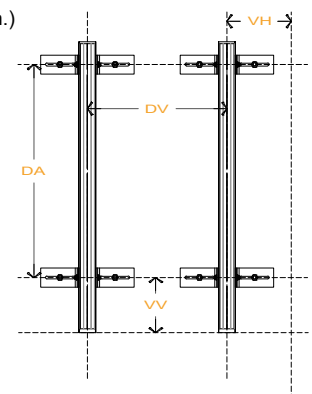
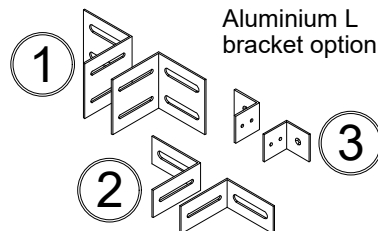
- Option **(A)** Die cut V1 Option **(B)** Die cut V1 Option **(C)** Die cut V1 Option **(D)** Die cut V1 Option **(E)** Die cut V1

Distances for installation of structural supports

Nm	Structural support options	Maximum distance (DA)	Maximum distance (DV)
A	Basic RM profile, wall covering	1300 mm. (51.18 in.)	1000 mm. (39.37 in.)
B	(T) support with die cut area 65X40 (2.55x1.57 in.)	2200 mm. (86.61 in.)	1000 mm.
C	Basic support with adapter profile 100X44 (3.93x1.73 in.)	3300 mm. (129.92 in.)	1000 mm.
D	Basic facade support with adapter profile 110X40 (4.33x1.57 in.)	4000 mm. (157.48 in.)	1000 mm.
E	Adapter profile anchored to construction site	>3300 mm. (129.92 in.)	1000 mm.

- 1 Aluminium L bracket 4 x 4 x 1/4"
- 2 Aluminium L bracket 2 X 4 x 1/4"
- 3 Aluminium L bracket 2 X 2 x 1/4"

- Nm Structural support options
- DA Maximum distance between anchors of brackets
- DV Maximum distance between structural supports
- VV Maximum vertical cantilever (support) 500 mm. (19.65 in.)
- VH Maximum horizontal cantilever (slat) 200 mm. (7.87in.)



Technical department Simpleyfacil®
 Specification workshop

Revision:
 Revision:

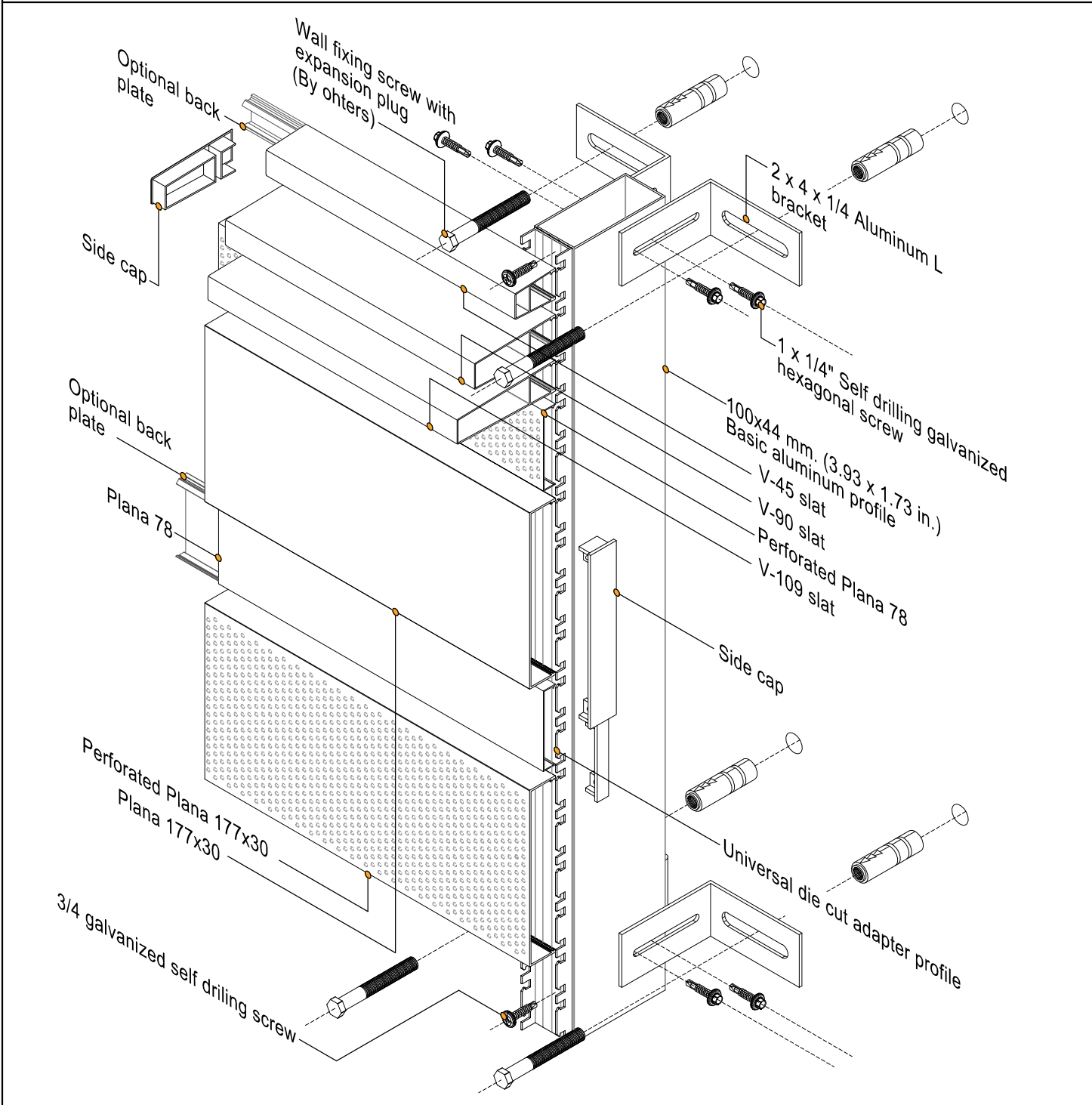
Project:
 Location:
 Authorization:

Date: September 2020
 Dimensions: mm. (in.)



EASYWALL FACADE

ANCHORING TO SLABS WITH STRUCTURAL SUPPORT 100 X 44 mm. (3.93X1.73 in.)
 PLANA 78 AND PLANA 177X30 (PERFORATED AND SMOOTH) IN COMBINATION WITH THE V SERIES



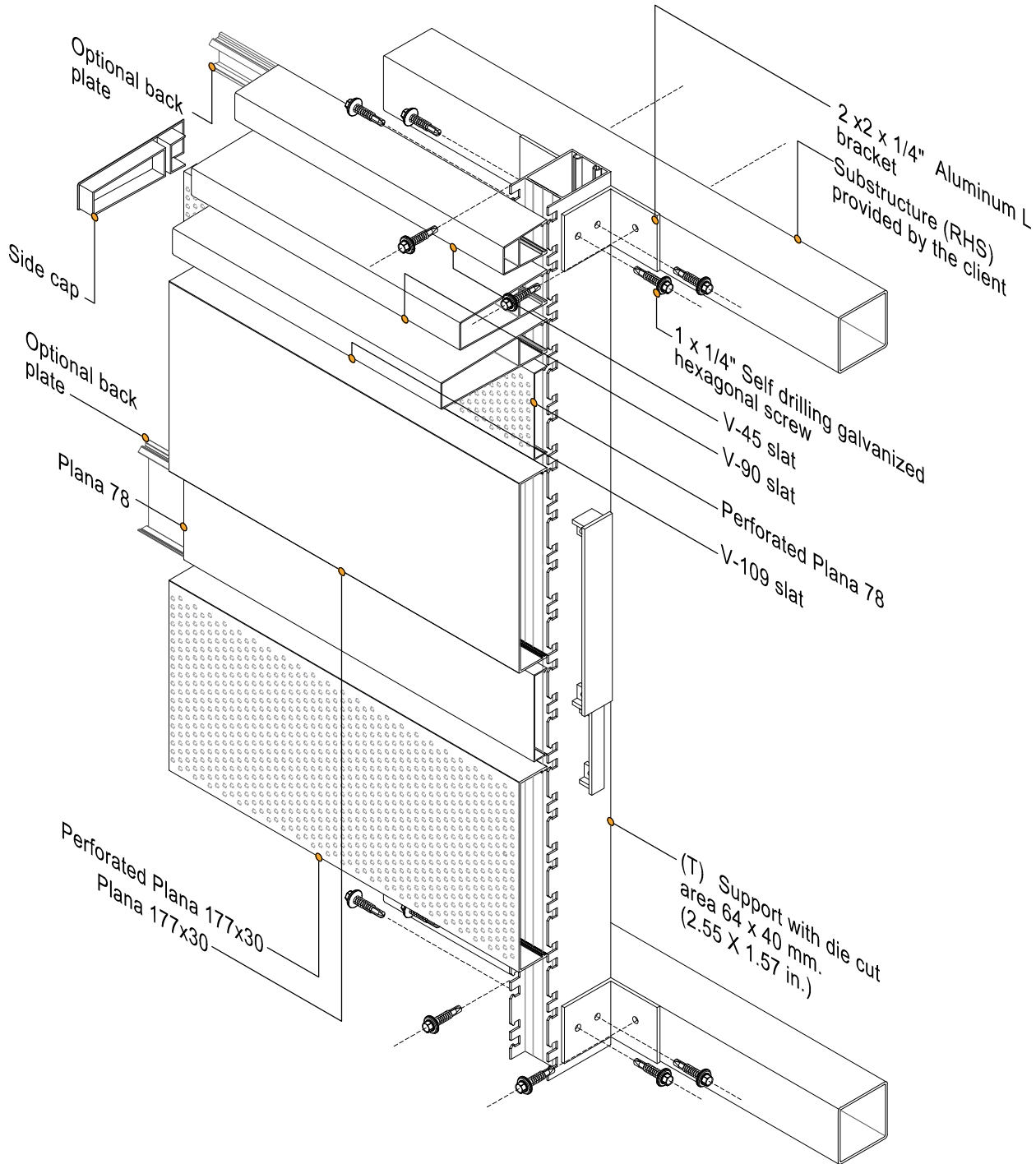
Technical department Simpleyfacil®
 Specification workshop
 Project:
 Location:
 Authorization:

Revision:
 Revision:
 Date: September 2020
 Dimensions: mm. (in.)



EASYWALL FACADE

ANCHORAGE TO SUB STRUCTURE WITH STRUCTURAL SUPPORT (T) 65 X 40 mm. (2.55 X 1.57 in.)
PLANA 78 AND PLANA 177X30 (PERFORATED AND SMOOTH) IN COMBINATION WITH THE V SERIES



Technical department Simpleyfacil®
Specification workshop

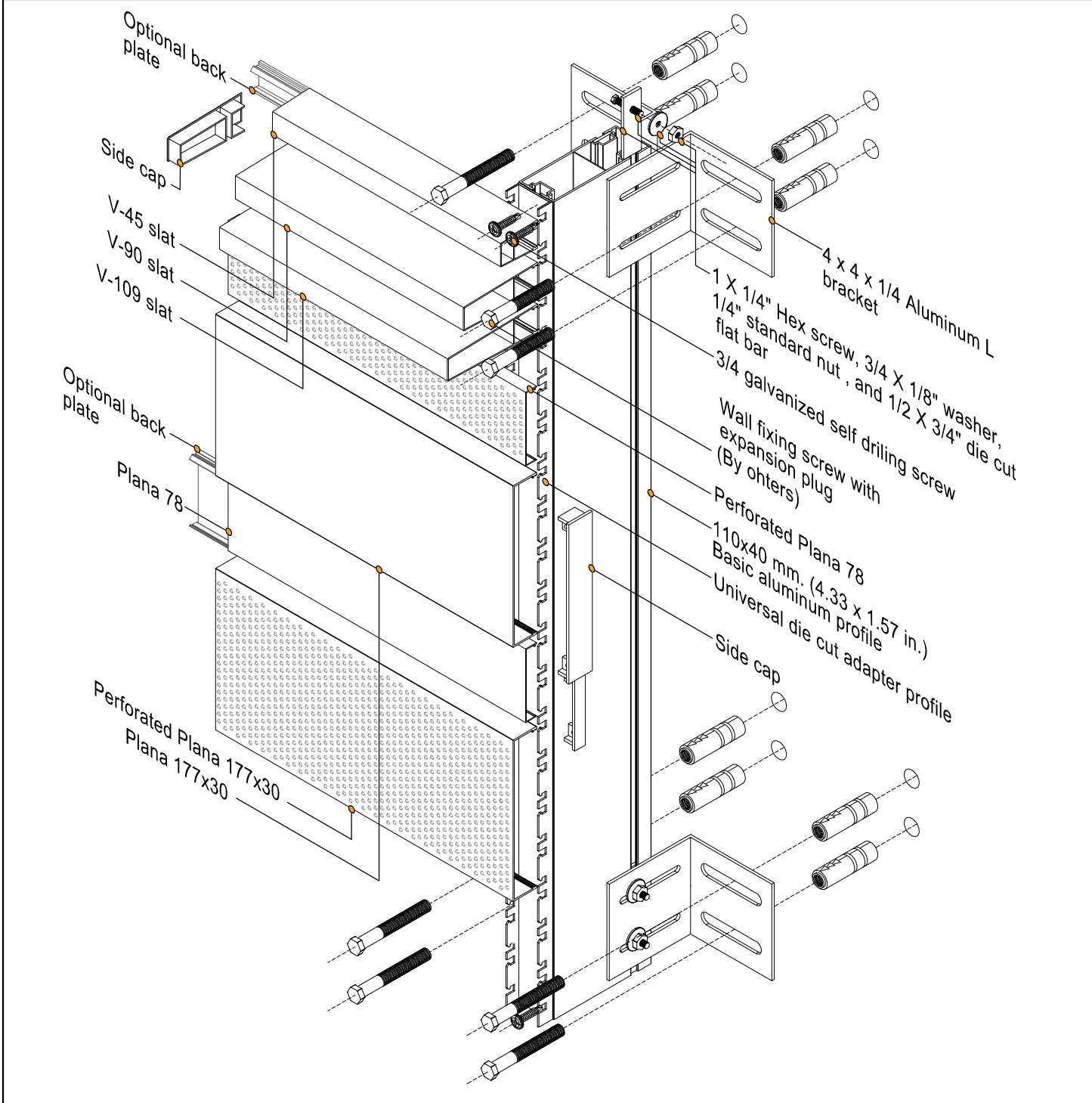
Project:
Location:
Authorization:

Revision:
Revision:
Date: September 2020
Dimensions: mm. (in.)



EASYWALL FACADE

ACHORING TO SLABS WITH STRUCTURAL SUPPORT 110 X 40 mm. (4.33X1.57 in.)
 PLANA 78 AND PLANA 177X30 (PERFORATED AND SMOOTH) IN COMBINATION WITH THE V SERIES



Technical department Simpleyfacil®
 Specification workshop

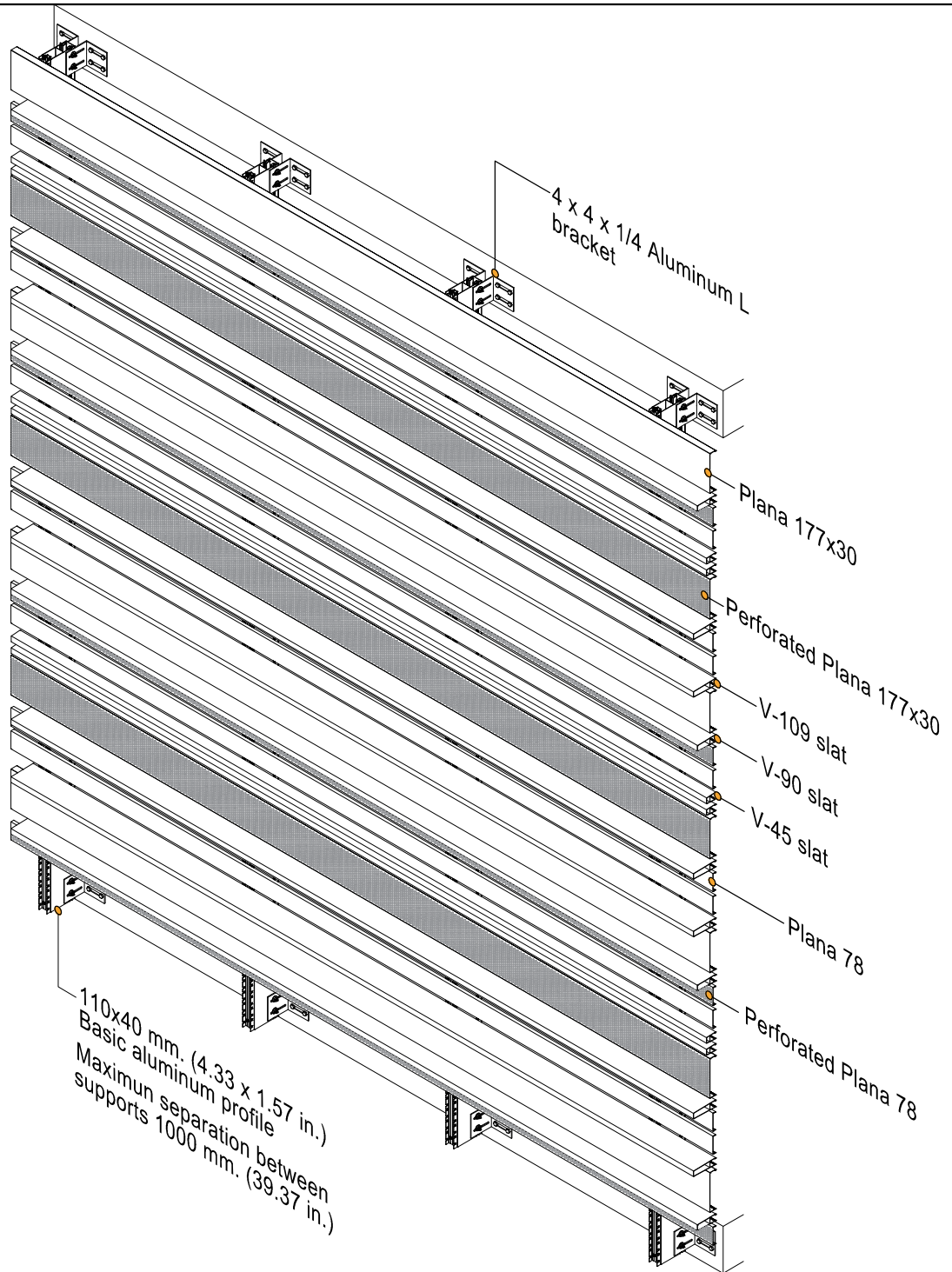
Project:
 Location:
 Authorization:

Revision:
 Revision:
 Date: September 2020
 Dimensions: mm. (in.)



EASYWALL FACADE

VENTILATED FACADE PROPOSAL, PLANA 78 AND PLANA 177x30 (PERFORATED AND SMOOTH) IN COMBINATION WITH THE V SERIES Page 07-07



Technical department Simpleyfacil®
Specification workshop

Project:
Location:
Authorization:

Revision:
Revision:
Date: September 2020
Dimensions: mm. (in.)

