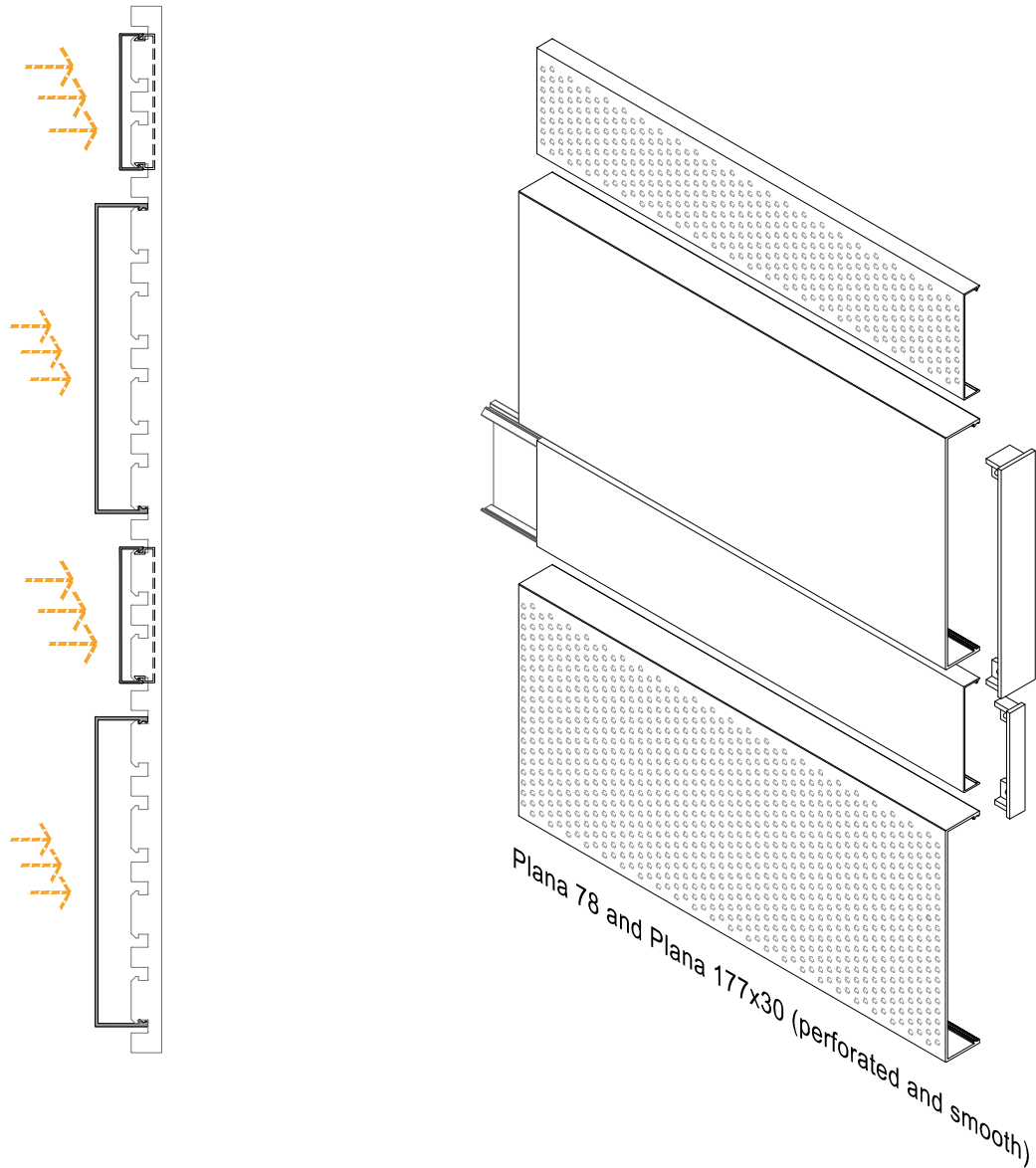


EASYWALL FACADE

SNAP-ON SYSTEM, COMBINATION OF PLANA 78 AND PLANA 177x30

Page 01-07



Technical department Simpleyfácil®
Specification workshop

Project:
Location:
Authorization:

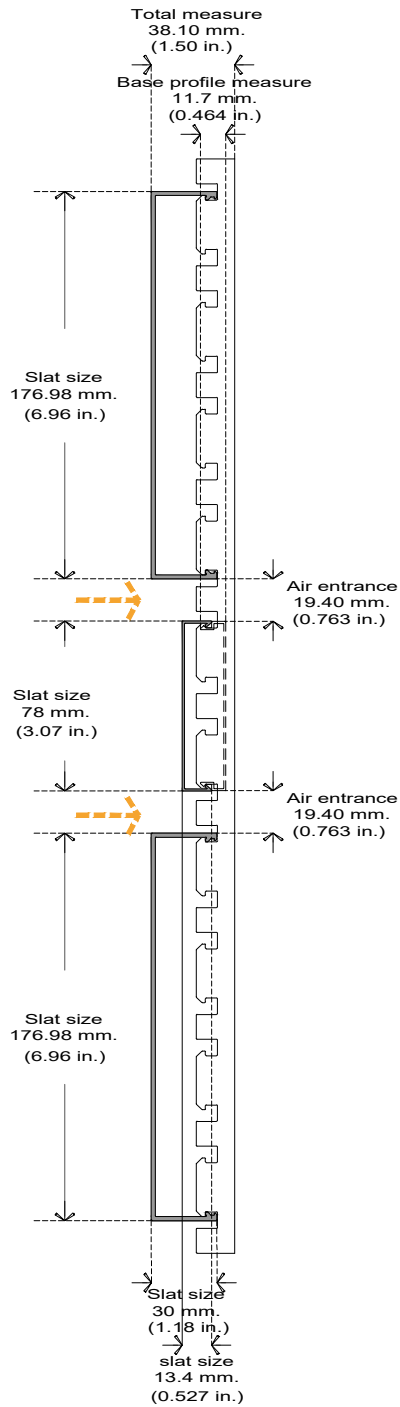
Revision:
Revision:
Date: September 2020
Dimensions: mm. (in.)



EASYWALL FACADE

DETAIL PLANA 78 AND PLANA 177x30 COMBINED

Page 02-07



Technical department Simpleyfacil®
Specification workshop

Project:
Location:
Authorization:

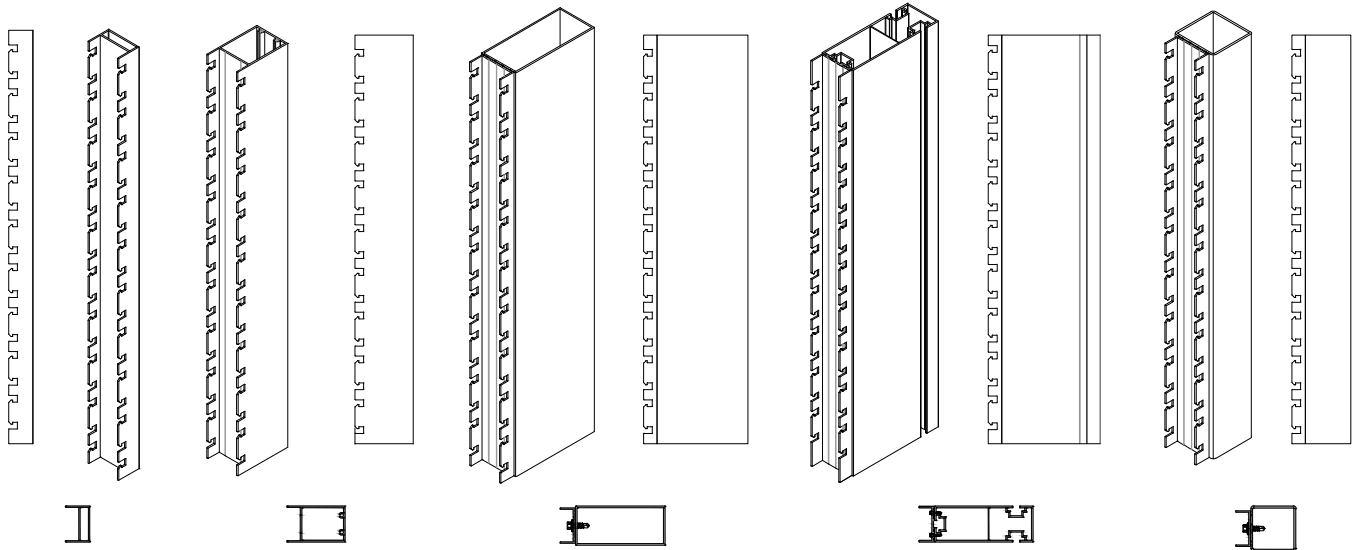
Revision:
Revision:
Date: September 2020
Dimensions: mm. (in.)



EASYWALL FACADE

SELECTION OF SUPPORTS ACCORDING TO THE SEPARATION BETWEEN ANCHORS
COMBINATION OF PLANA 78 AND PLANA 177X30

Page 03-07



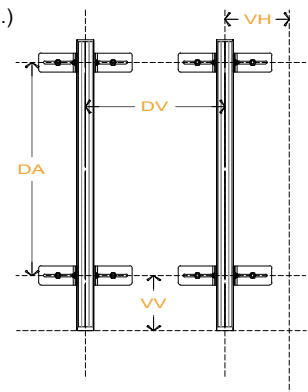
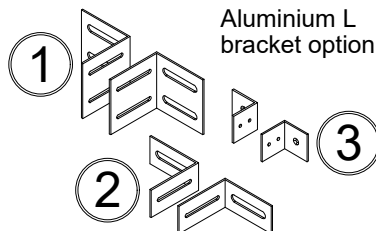
Option **(A)** Die cut V1 Option **(B)** Die cut V1 Option **(C)** Die cut V1 Option **(D)** Die cut V1 Option **(E)** Die cut V1

Distances for installation of structural supports

Nm	Structural support options	Maximum distance (DA)	Maximum distance (DV)
A	Basic RM profile, wall covering	1300 mm. (51.18 in.)	1000 mm. (39.37 in.)
B	(T) support whith die cut area 65X40 (2.55x1.57 in.)	2200 mm. (86.61 in.)	1000 mm.
C	Basic support whith adapter profile 100X44 (3.93x1.73 in.)	3300 mm. (129.92 in.)	1000 mm.
D	Basic facade support whith adapter profile 110X40 (4.33x1.57 in.)	4000 mm. (157.48 in.)	1000 mm.
E	Adapter profile anchored to construction site	>3300 mm. (129.92 in.)	1000 mm.

- 1 Aluminium L bracket 4 x 4 x 1/4"
- 2 Aluminium L bracket 2 X 4 x 1/4"
- 3 Aluminium L bracket 2 X 2 x 1/4"

Nm	Structural support options
DA	Maximum distance between anchors of brackets
DV	Maximum distance between structural supports
VV	Maximum vertical cantilever (support) 500 mm. (19.65 in.)
VH	Maximum horizontal cantilever (slat) 200 mm. (7.87in.)



Technical department Simpleyfacil®
Specification workshop

Revision:
Revision:

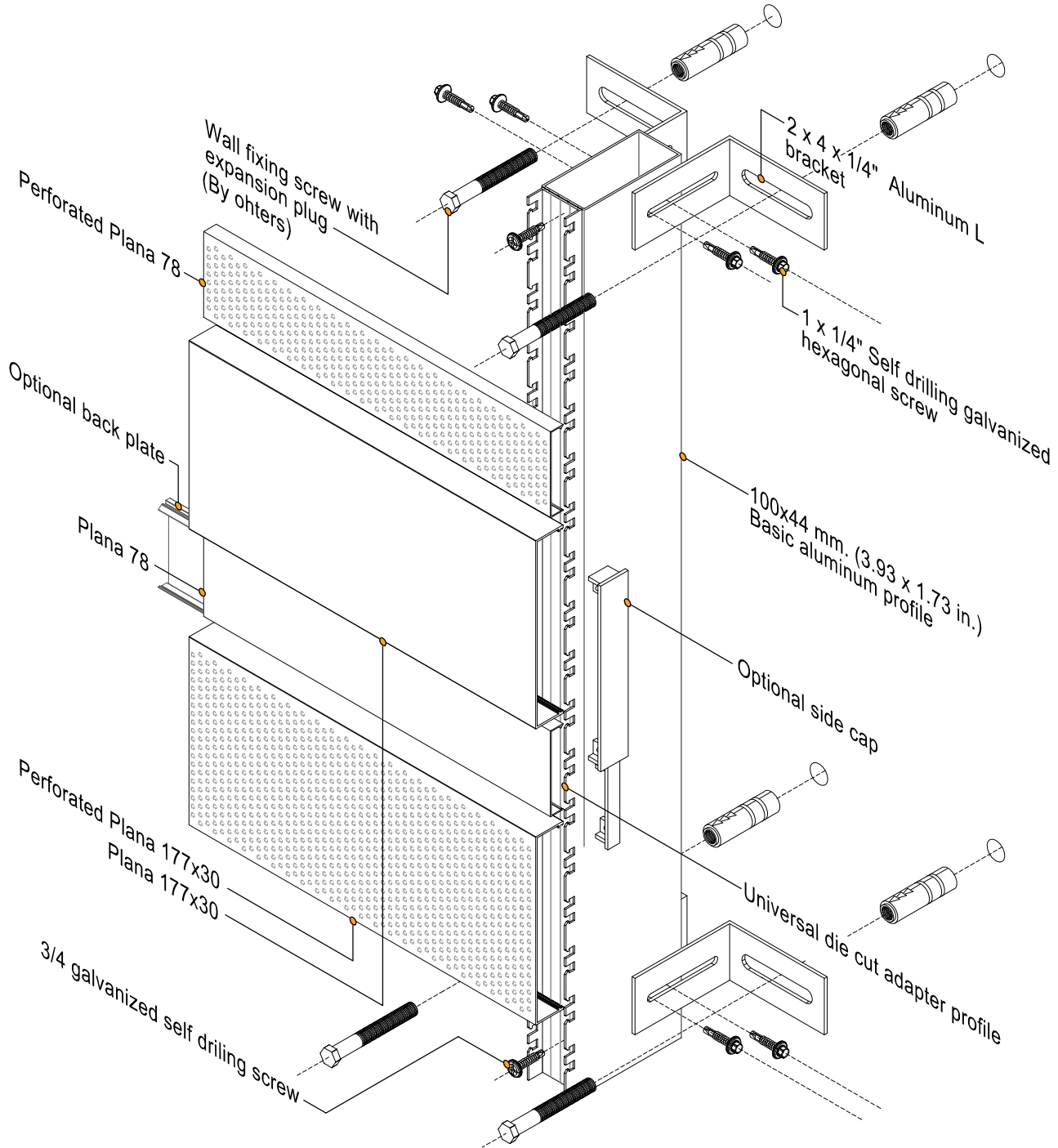
Project:
Location:
Authorization:

Date: September 2020
Dimensions: mm. (in.)



EASYWALL FACADE

ANCHORING TO SLABS WITH STRUCTURAL SUPPORT 100 X 44 mm. (3.93X1.73 in.)
 COMBINATION OF PLANA 78 AND PLANA 177X30 (PERFORATED AND SMOOTH)



Technical department Simpleyfacil®
 Specification workshop

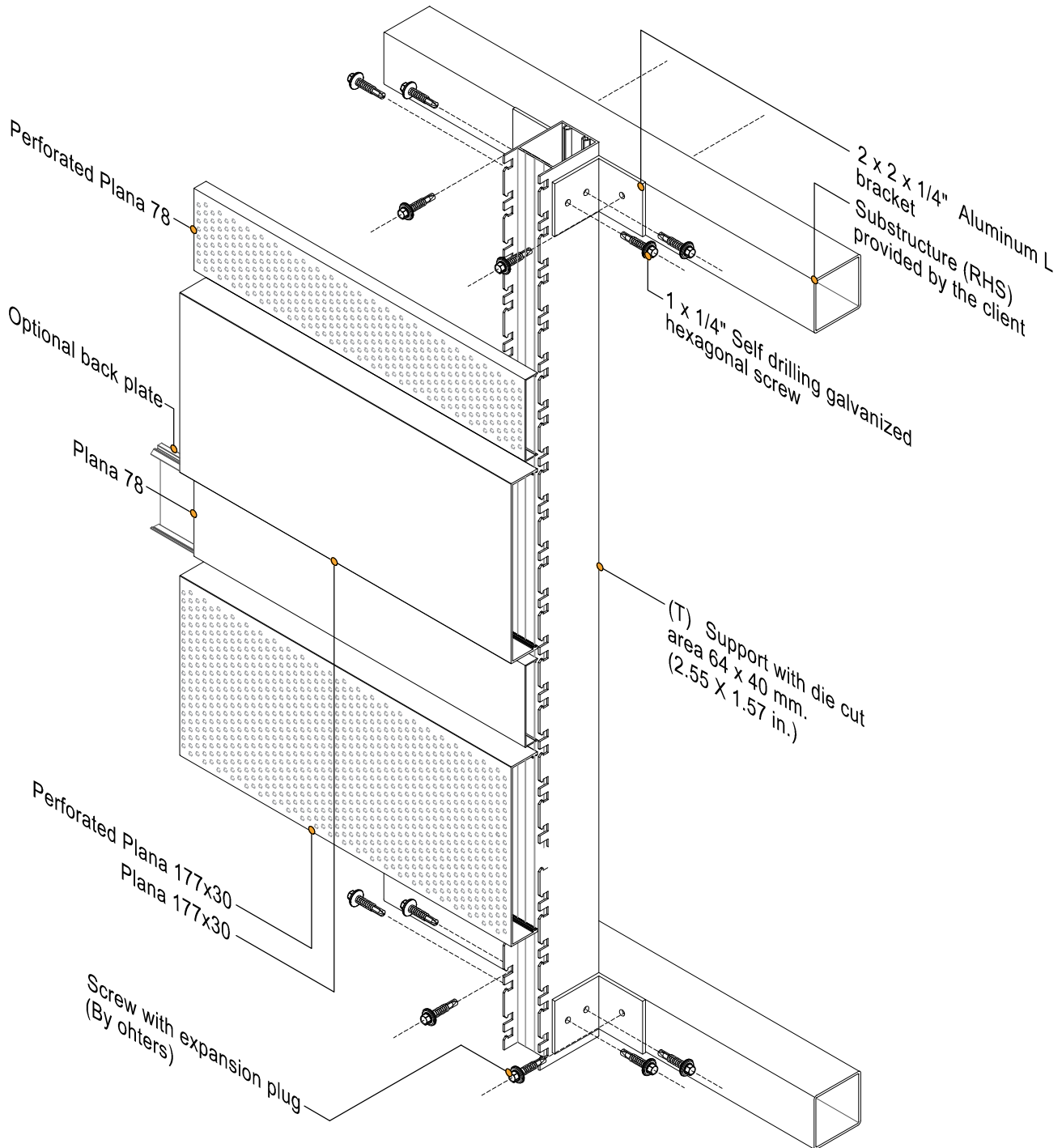
Project:
 Location:
 Authorization:

Revision:
 Revision:
 Date: September 2020
 Dimensions: mm. (in.)



EASYWALL FACADE

ANCHORAGE TO SUB STRUCTURE WITH STRUCTURAL SUPPORT (T) 65 X 40 mm. (2.55 X 1.57 in.)
 COMBINATION OF PLANA 78 AND PLANA 177X30 (PERFORATED AND SMOOTH)



Technical department Simpleyfacil®
 Specification workshop

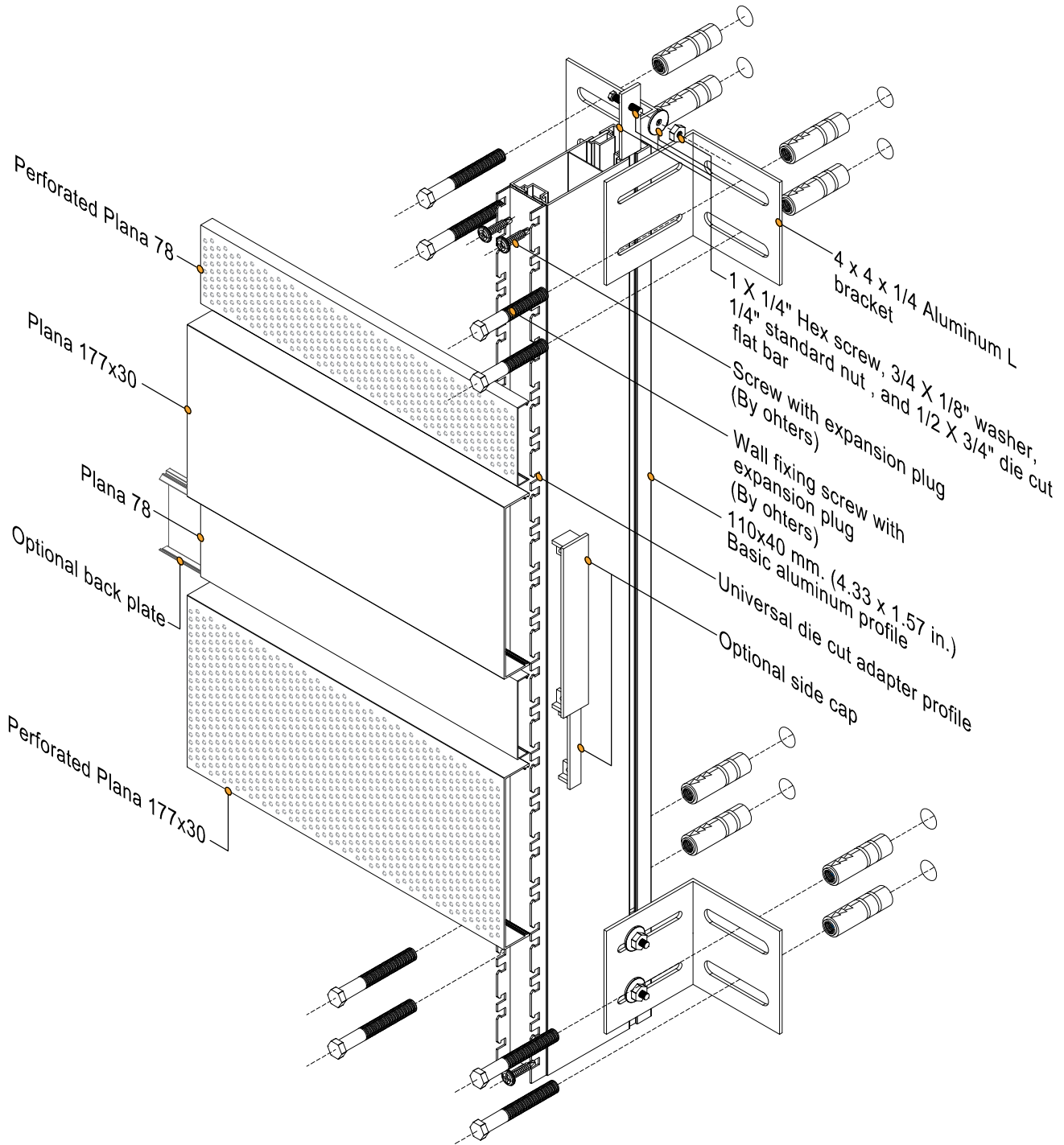
Project:
 Location:
 Authorization:

Revision:
 Revision:
 Date: September 2020
 Dimensions: mm. (in.)



EASYWALL FACADE

ACHORING TO SLABS WITH STRUCTURAL SUPPORT 110 X 40 mm. (4.33X1.57 in.)
 COMBINATION OF PLANA 78 AND PLANA 177X30 (PERFORATED AND SMOOTH)



Technical department Simpleyfacil®
 Specification workshop

Project:
 Location:
 Authorization:

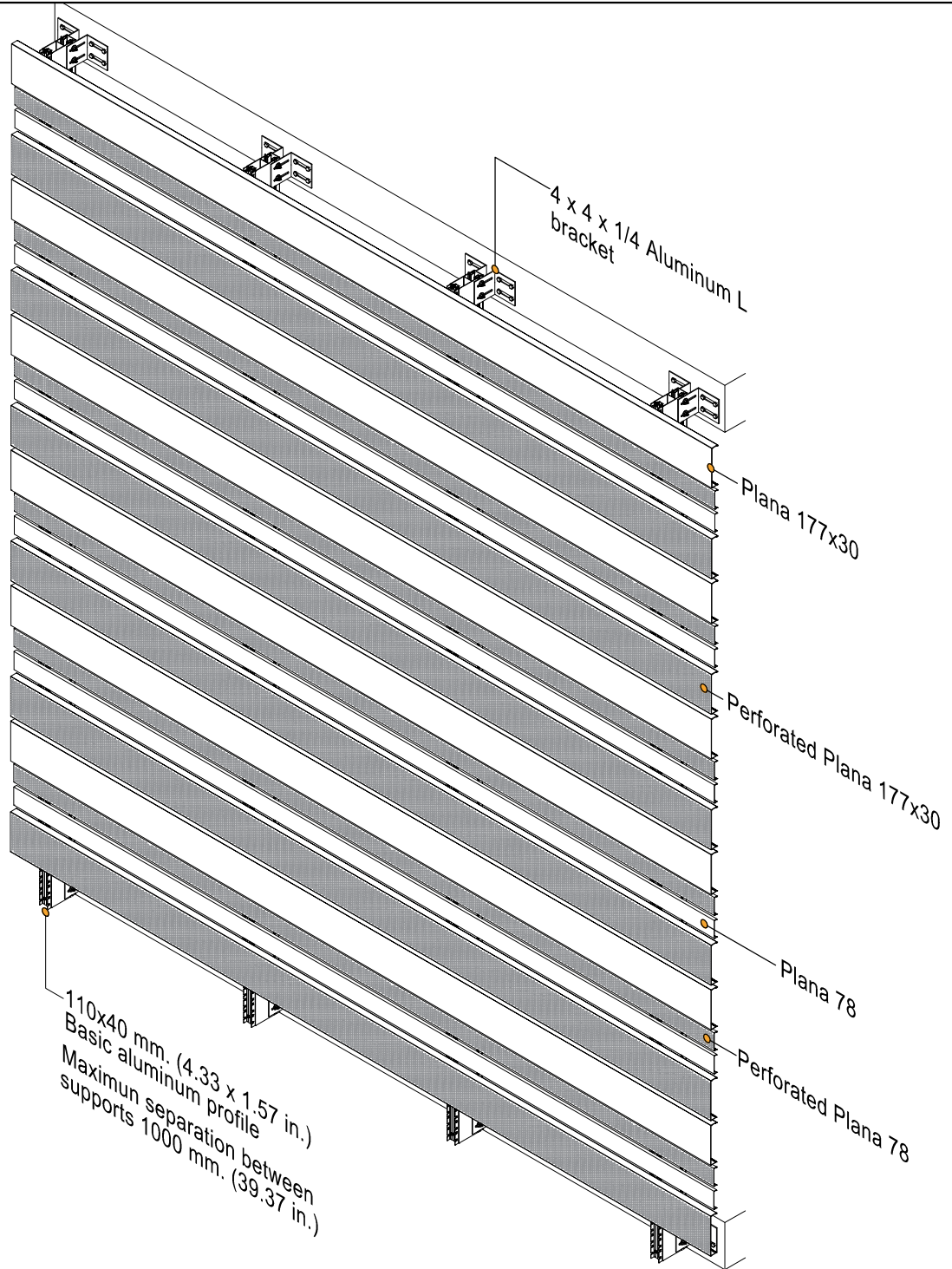
Revision:
 Revision:
 Date: September 2020
 Dimensions: mm. (in.)



EASYWALL FACADE

VENTILATED FACADE PROPOSAL, COMBINATION OF PLANA 78 AND PLANA 177X30
(PERFORATED AND SMOOTH)

Page 07-07



Technical department Simpleyfacil®
Specification workshop

Project:
Location:
Authorization:

Revision:
Revision:
Date: September 2020
Dimensions: mm. (in.)

