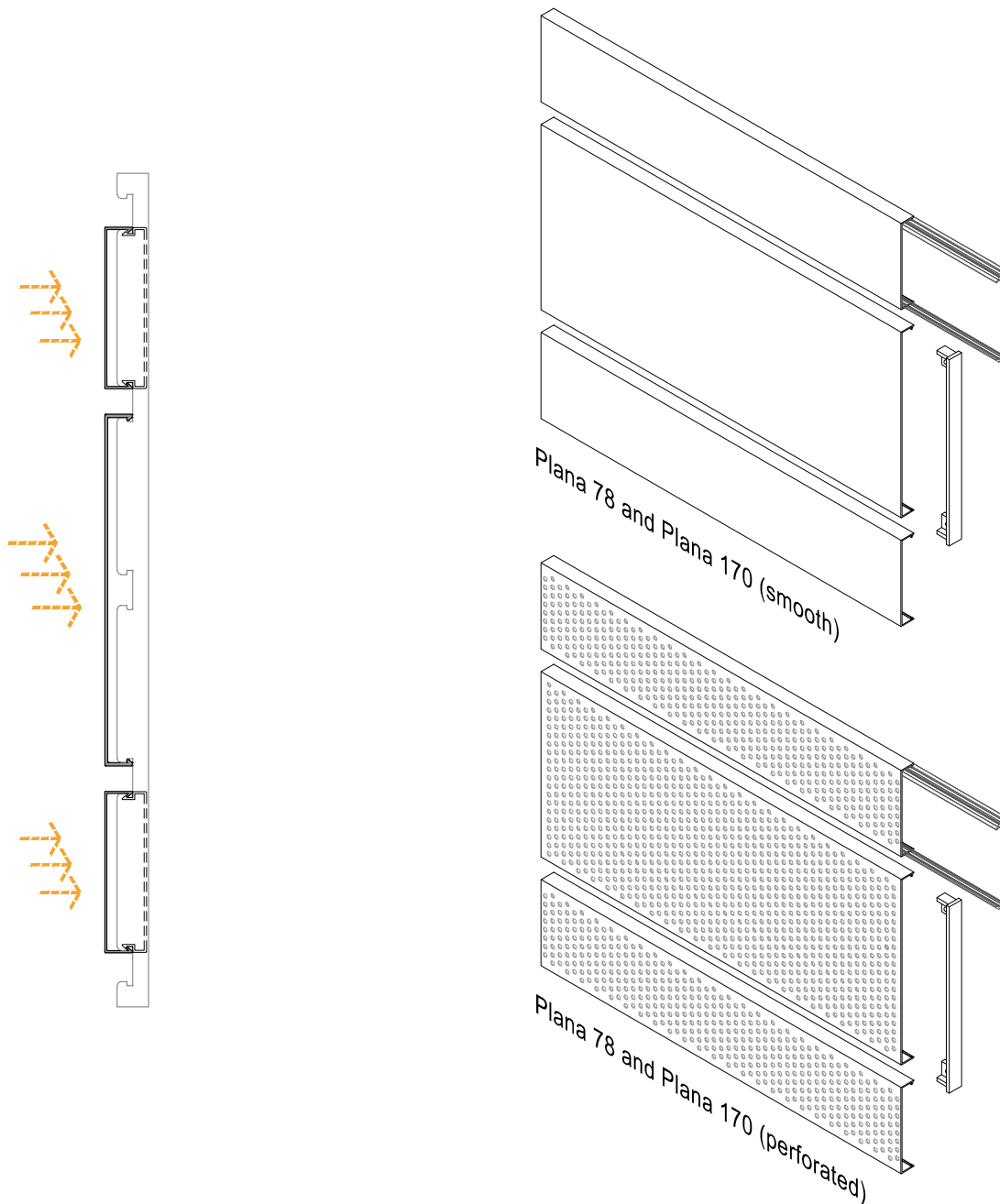


# EASYWALL FACADE

SNAP-ON SYSTEM, COMBINATION OF PLANA 78 AND PLANA 170

Page 01-07



Technical department Simpleyfacil®  
Specification workshop

Project:  
Location:  
Authorization:

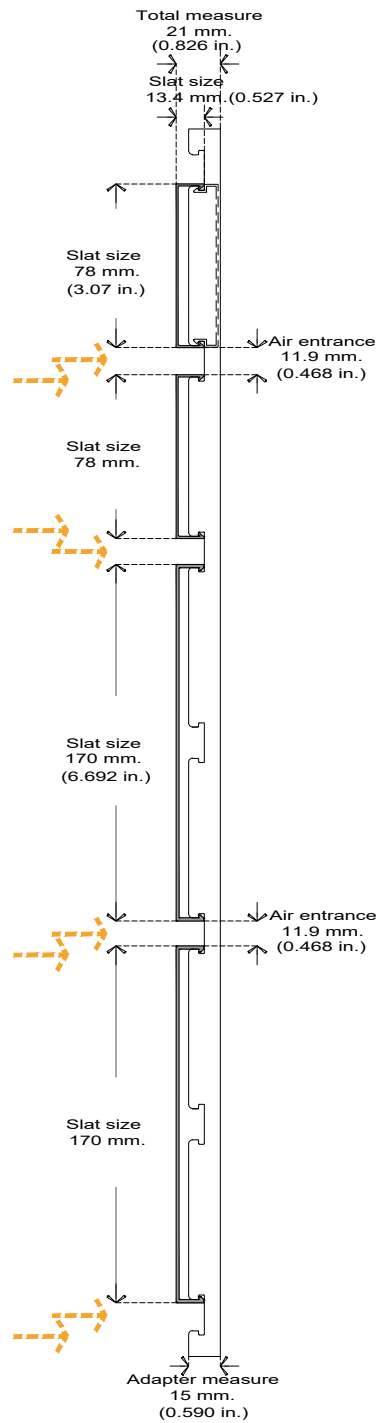
Revision:  
Revision:  
Date: September 2020  
Dimensions: mm. (in.)



# EASYWALL FACADE

DETAIL PLANA 78 AND PLANA 170 COMBINED

Page 02-07



Technical department Simpleyfacil®  
Specification workshop

Project:  
Location:  
Authorization:

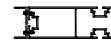
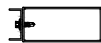
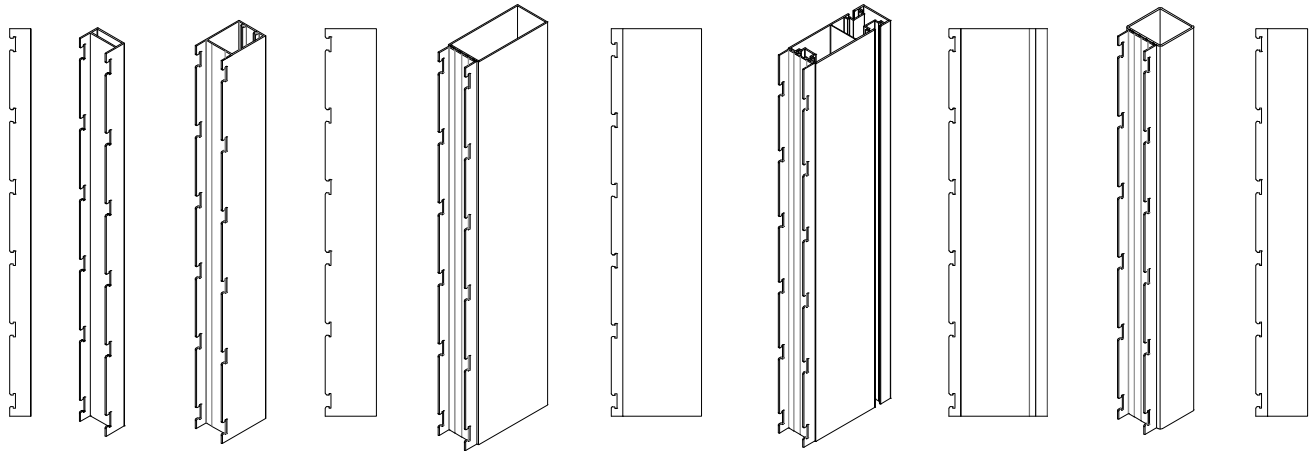
Revision:  
Revision:  
Date: September 2020  
Dimensions: mm. (in.)



# EASYWALL FACADE

SELECTION OF SUPPORTS ACCORDING TO THE SEPARATION BETWEEN ANCHORS  
COMBINATION OF PLANA 78 AND PLANA 170

Page 03-07



Option **A**  
Die cut E1

Option **B**  
Die cut E1

Option **C**  
Die cut E1

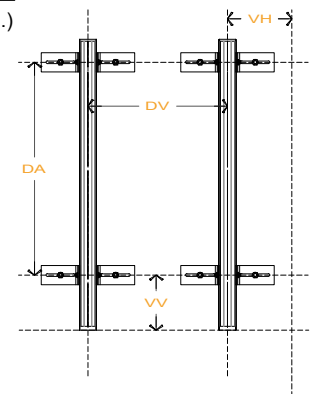
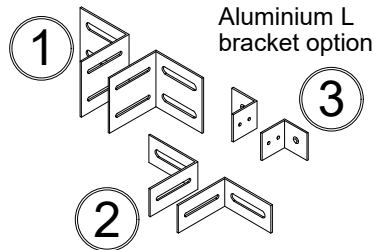
Option **D**  
Die cut E1

Option **E**  
Die cut E1

## Distances for installation of structural supports

| Nm | Structural support options                                       | Maximum distance (DA)  | Maximum distance (DV) |
|----|--|------------------------|-----------------------|
| A  | Basic RM profile, wall covering                                  | 1300 mm. (51.18 in.)   | 1000 mm. (39.37 in.)  |
| B  | (T) support with die cut area 65X40 (2.55x1.57 in.)              | 2200 mm. (86.61 in.)   | 1000 mm.              |
| C  | Basic support with adapter profile 100X44 (3.93x1.73 in.)        | 3300 mm. (129.92 in.)  | 1000 mm.              |
| D  | Basic facade support with adapter profile 110X40 (4.33x1.57 in.) | 4000 mm. (157.48 in.)  | 1000 mm.              |
| E  | Adapter profile anchored to construction site                    | >4000 mm. (157.48 in.) | 1000 mm.              |

- 1 Aluminium L bracket 4 x 4 x 1/4"
- 2 Aluminium L bracket 2 X 4 x 1/4"
- 3 Aluminium L bracket 2 X 2 x 1/4"



- Nm Structural support options
- DA Maximum distance between anchors of brackets
- DV Maximum distance between structural supports
- VV Maximum vertical cantilever (support) 500 mm. (19.65 in.)
- VH Maximum horizontal cantilever (slat) 200 mm. (7.87in.)

Technical department Simpleyfacil®  
Specification workshop

Revision:  
Revision:

Project:  
Location:  
Authorization:

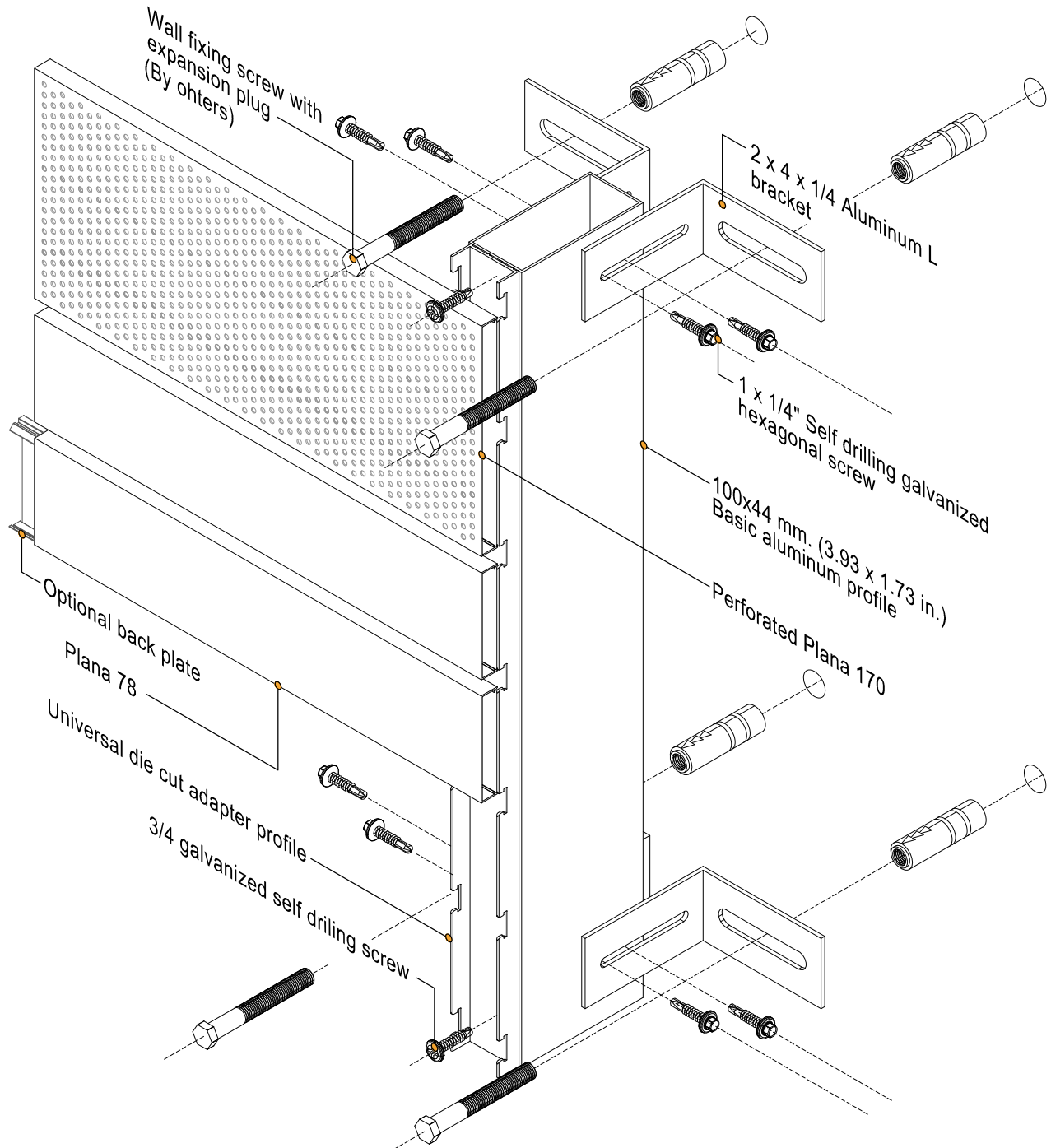
Date: September 2020  
Dimensions: mm. (in.)



# EASYWALL FACADE

ANCHORING TO SLABS WITH STRUCTURAL SUPPORT 100 X 44 mm. (3.93X1.73 in.)  
COMBINATION OF PLANA 78 AND PLANA 170 (PERFORATED AND SMOOTH)

Page 04-07



Technical department Simpleyfacil®  
Specification workshop

Revision:  
Revision:

Project:  
Location:  
Authorization:

Date: September 2020  
Dimensions: mm. (in.)

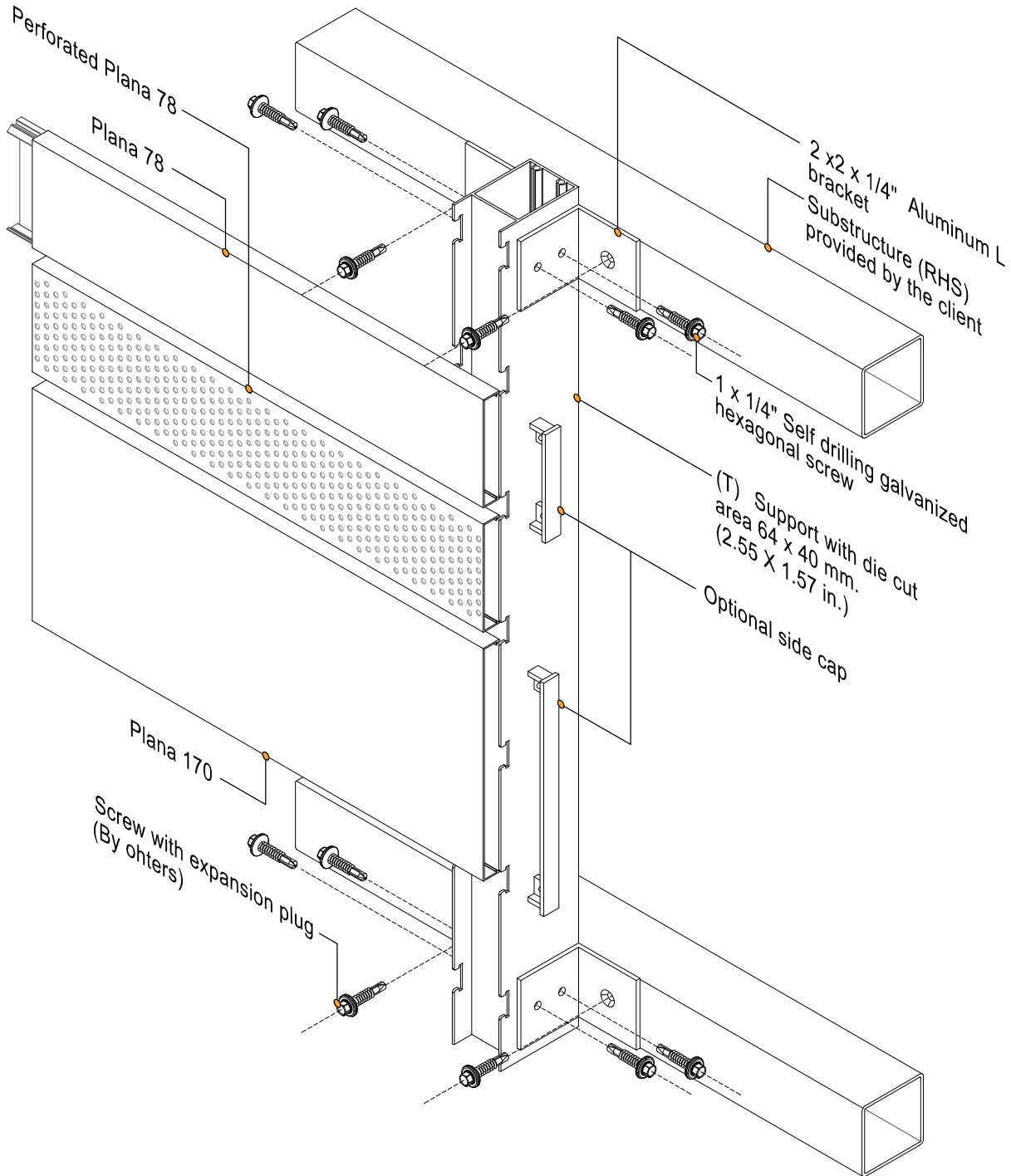


# EASYWALL FACADE

ANCHORAGE TO SUB STRUCTURE WITH STRUCTURAL SUPPORT

Page 05-07

(T) 65 X 40 mm. (2.55 X 1.57 in.) COMBINATION OF PLANA 78 AND PLANA 170 (PERFORATED AND SMOOTH)



Technical department Simpleyfacil®  
Specification workshop

Project:  
Location:  
Authorization:

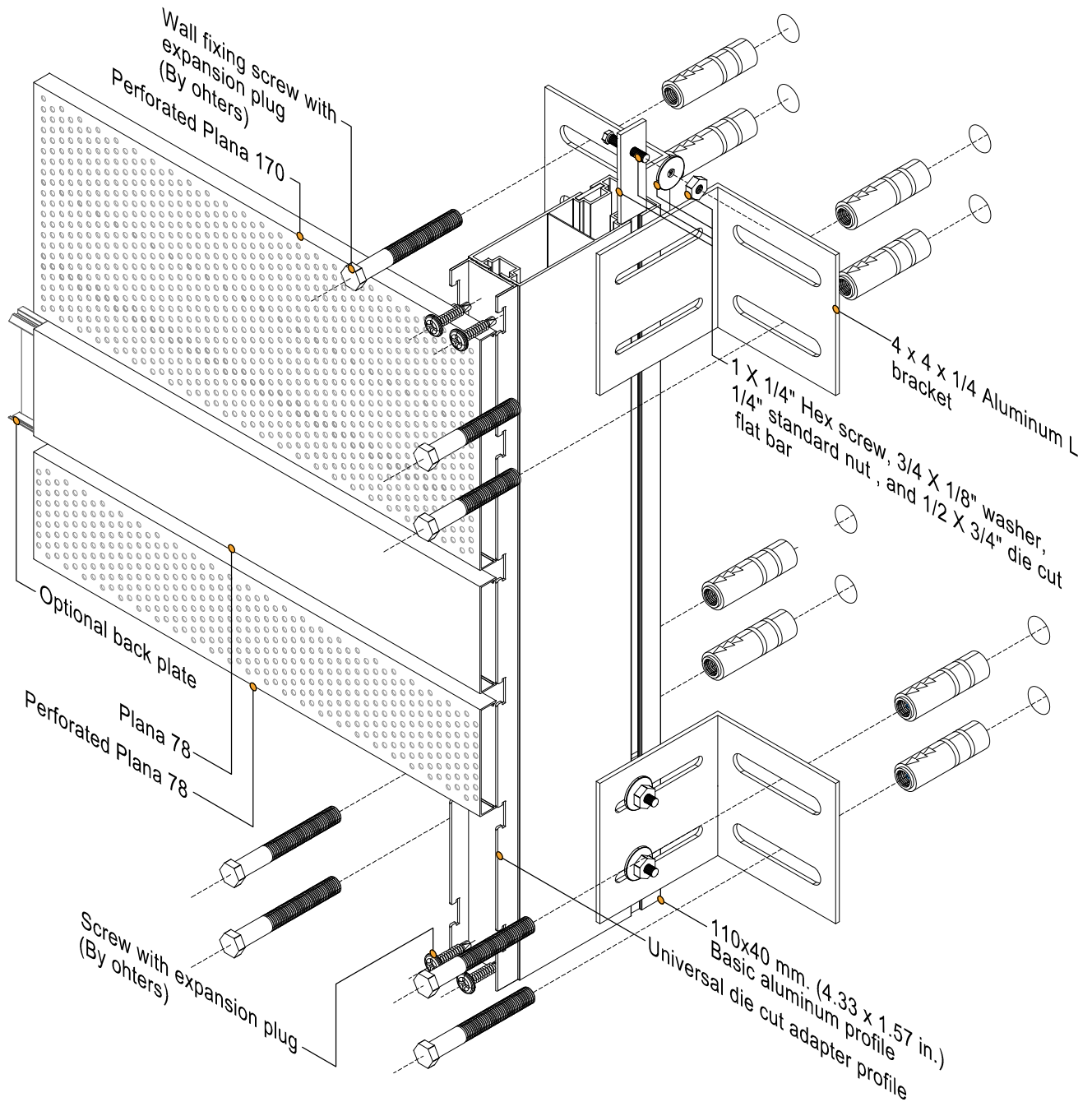
Revision:  
Revision:  
Date: September 2020  
Dimensions: mm. (in.)



# EASYWALL FACADE

ACHORING TO SLABS WITH STRUCTURAL SUPPORT 110 X 40 mm. (4.33X1.57 in.)  
 COMBINATION OF PLANA 78 AND PLANA 170 (PERFORATED AND SMOOTH)

Page 06-07



Technical department Simpleyfacil®  
 Specification workshop

Project:  
 Location:  
 Authorization:

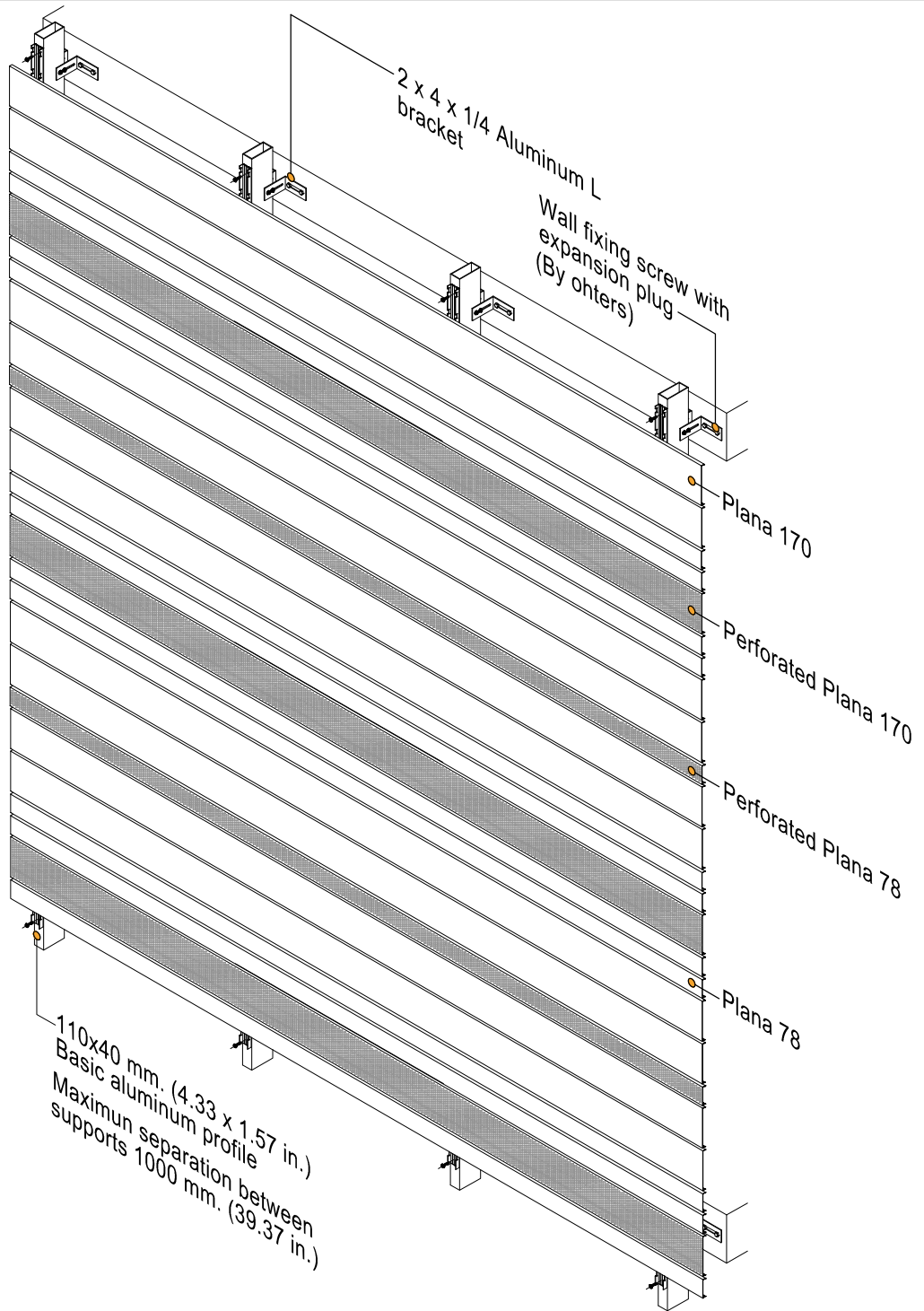
Revision:  
 Revision:  
 Date: September 2020  
 Dimensions: mm. (in.)



# EASYWALL FACADE

VENTILATED FACADE PROPOSAL, COMBINATION OF PLANA 78 AND PLANA 170  
(PERFORATED AND SMOOTH)

Page 07-07



Technical department Simpleyfácil®  
Specification workshop

Project:  
Location:  
Authorization:

Revision:  
Revision:  
Date: September 2020  
Dimensions: mm. (in.)

 **simple**  
architectural®  
by simpleyfácil