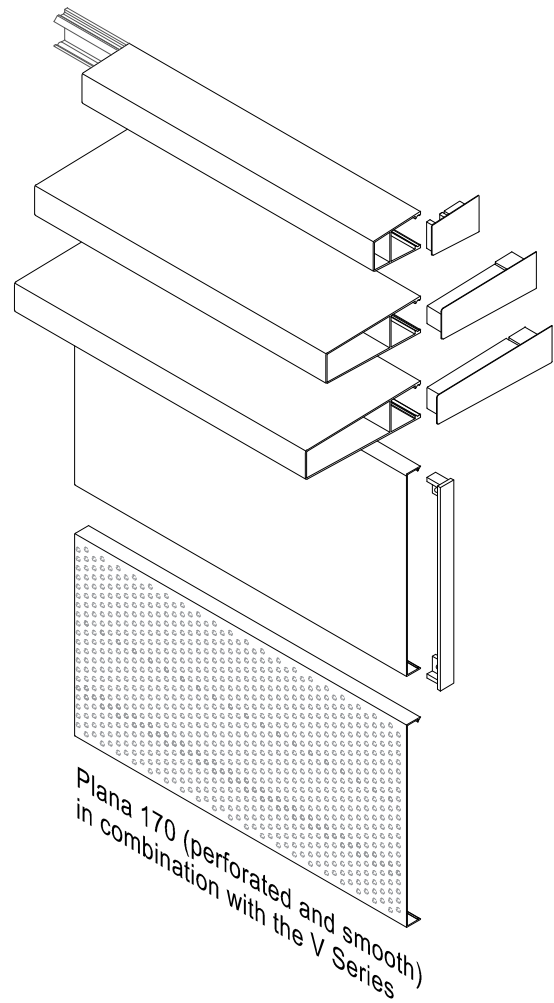
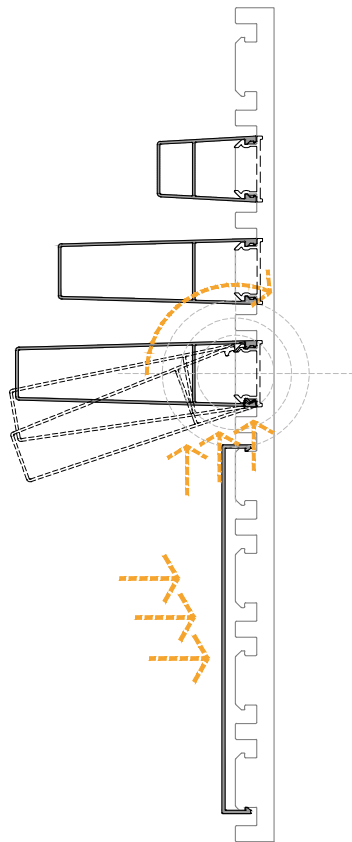


EASYWALL FACADE

SNAP-ON SYSTEM, COMBINATION OF PLANA 170 WITH V SERIES

Page 01-07



Technical department Simpleyfacil®
Specification workshop

Project:
Location:
Authorization:

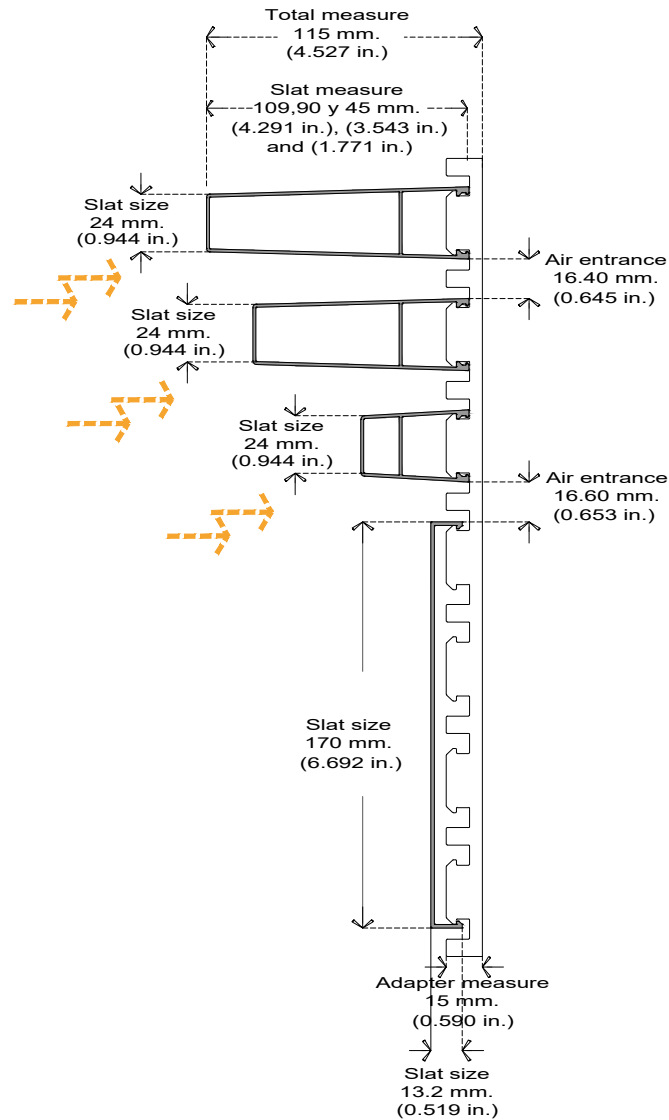
Revision:
Revision:
Date: September 2020
Dimensions: mm. (in.)



EASYWALL FACADE

DETAIL PLANA 170 IN COMBINATION WITH THE V SERIES

Page 02-07



Technical department Simpleyfacil®
Specification workshop

Revision:
Revision:

Project:
Location:
Authorization:

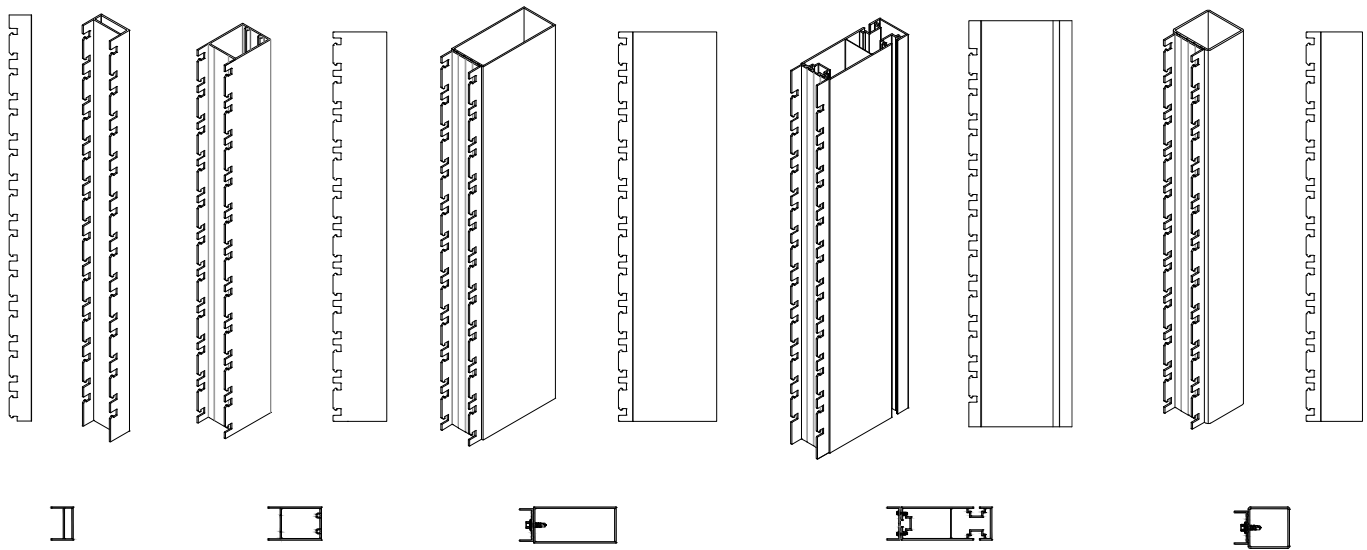
Date: September 2020
Dimensions: mm. (in.)

 **simple**
architectural
by simpleyfacil

EASYWALL FACADE

SELECTION OF SUPPORTS ACCORDING TO THE SEPARATION BETWEEN ANCHORS
 PLANA 170 IN COMBINATION WITH V SERIES

Page 03-07



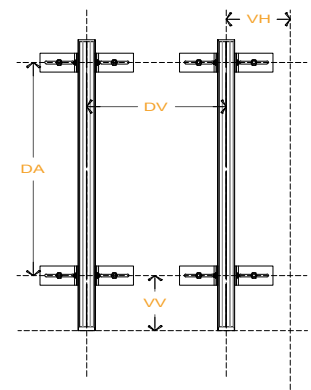
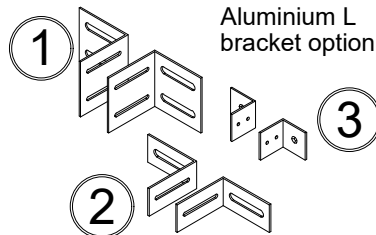
Option **A** Die cut V7 Option **B** Die cut V7 Option **C** Die cut V7 Option **D** Die cut V7 Option **E** Die cut V7

Distances for installation of structural supports

Nm Structural support options Maximum distance (DA) Maximum distance (DV)

A	Basic RM profile, wall covering	1300 mm. (51.18 in.)	1200 mm. (47.24 in.)
B	(T) support with die cut area 65X40 (2.55x1.57 in.)	2200 mm. (86.61 in.)	1200 mm.
C	Basic support with adapter profile 100X44 (3.93x1.73 in.)	3300 mm. (129.92 in.)	1200 mm.
D	Basic facade support with adapter profile 110X40 (4.33x1.57 in.)	4000 mm. (157.48 in.)	1200 mm.
E	Adapter profile anchored to construction site	>3300 mm. (129.92 in.)	1200 mm.

- 1 Aluminium L bracket 4 x 4 x 1/4"
- 2 Aluminium L bracket 2 X 4 x 1/4"
- 3 Aluminium L bracket 2 X 2 x 1/4"



Nm Structural support options

- DA Maximum distance between anchors of brackets
- DV Maximum distance between structural supports
- VV Maximum vertical cantilever (support) 500 mm. (19.65 in.)
- VH Maximum horizontal cantilever (slat) 200 mm. (7.87 in.)

Technical department Simpleyfacil®
 Specification workshop

Revision:
 Revision:

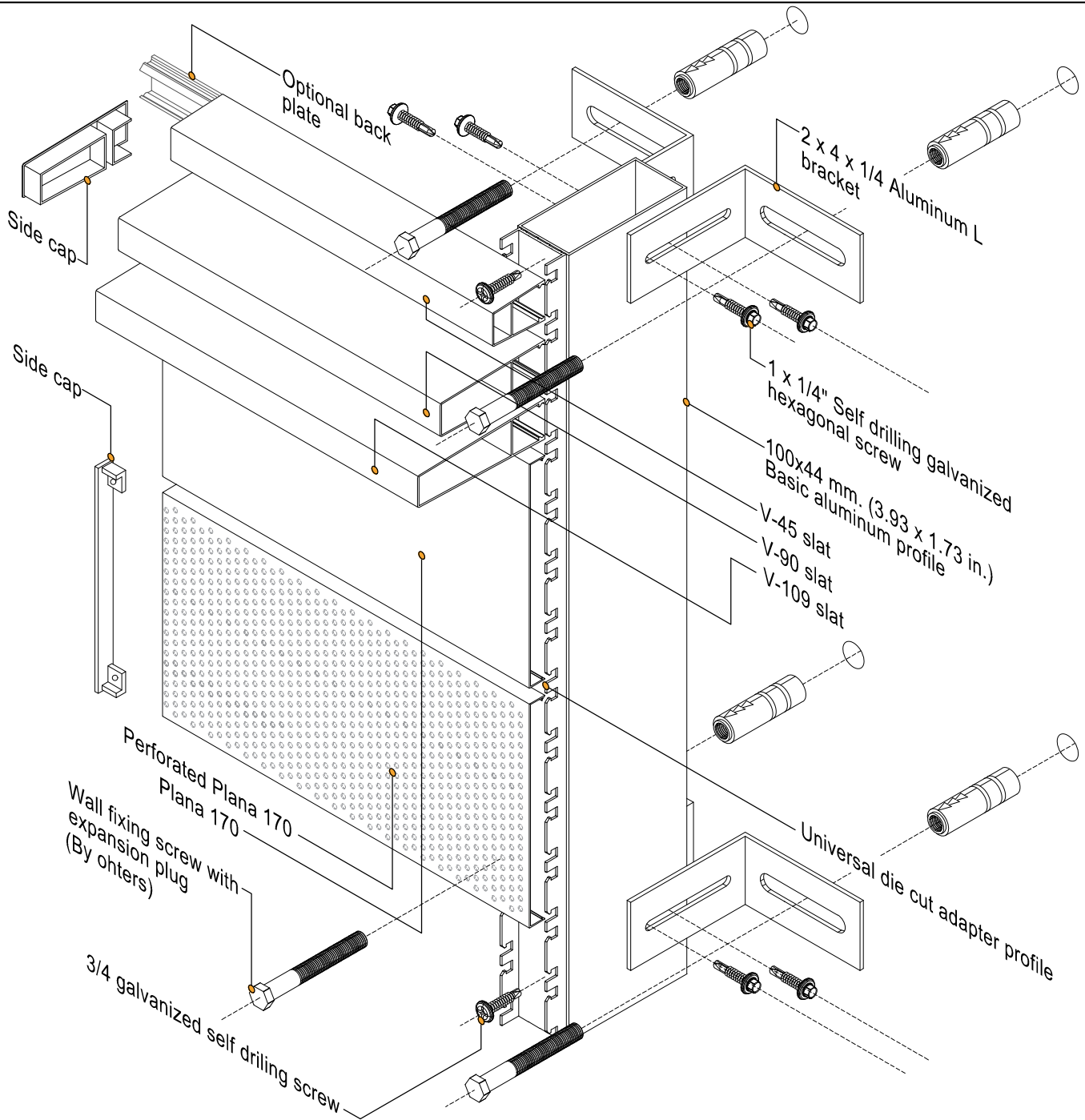
Project:
 Location:
 Authorization:

Date: September 2020
 Dimensions: mm. (in.)

EASYWALL FACADE

ANCHORING TO SLABS WITH STRUCTURAL SUPPORT 100 X 44 mm. (3.93X1.73 in.)
 PLANA 170 (PERFORATED AND SMOOTH) IN COMBINATION WITH V SERIES

Page 04-07



Technical department Simpleyfacil®
 Specification workshop

Revision:
 Revision:
 Date: September 2020
 Dimensions: mm. (in.)

Project:
 Location:
 Authorization:

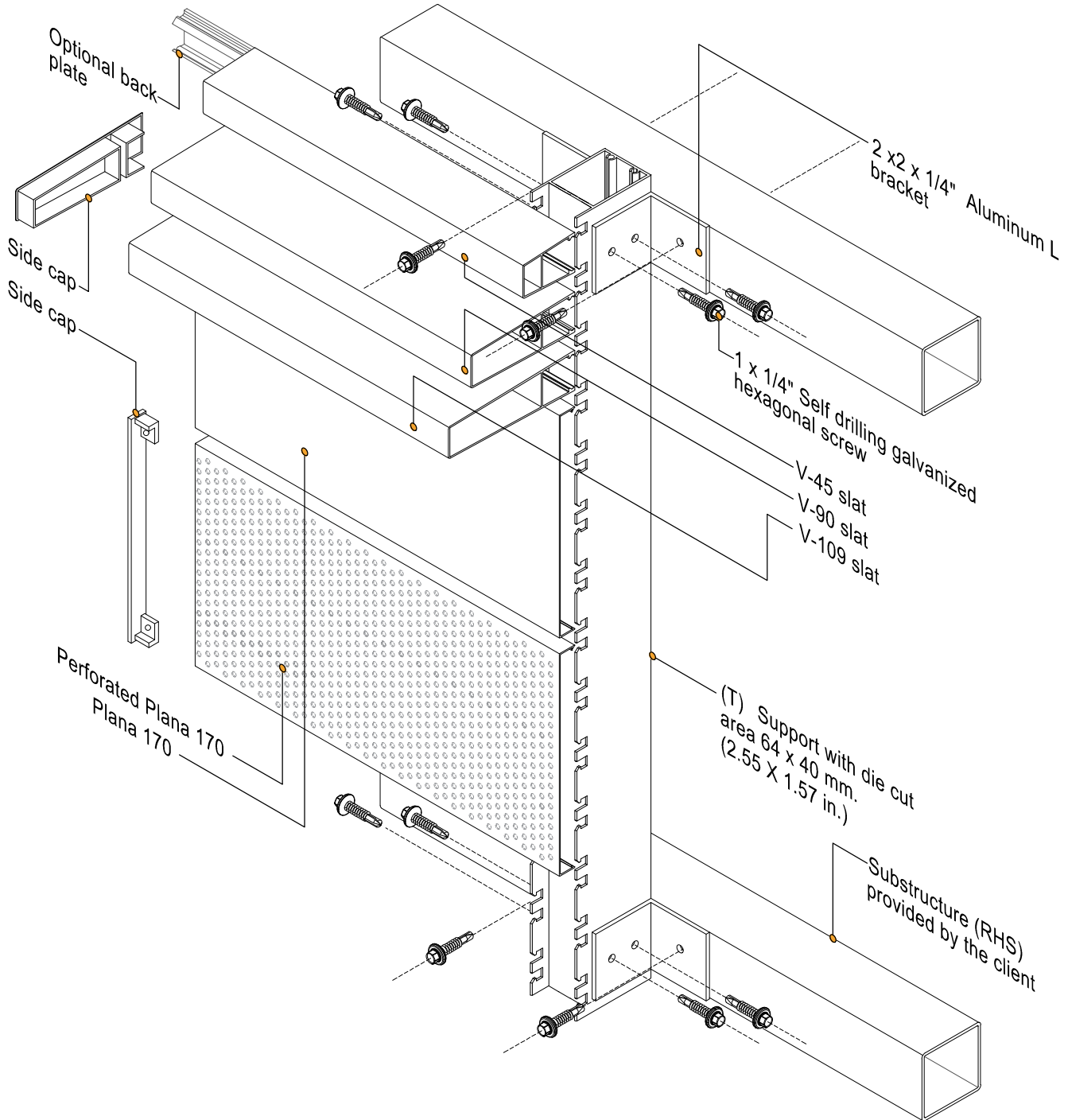


EASYWALL FACADE

ANCHORAGE TO SUB STRUCTURE WITH STRUCTURAL SUPPORT

Page 05-07

(T) 65 X 40 mm. (2.55 X 1.57 in.) PLANA 170 (PERFORATED AND SMOOTH) IN COMBINATION WITH V SERIES



Technical department Simpleyfacil®
Specification workshop

Revision:

Revision:

Project:

Location:

Authorization:

Date: September 2020

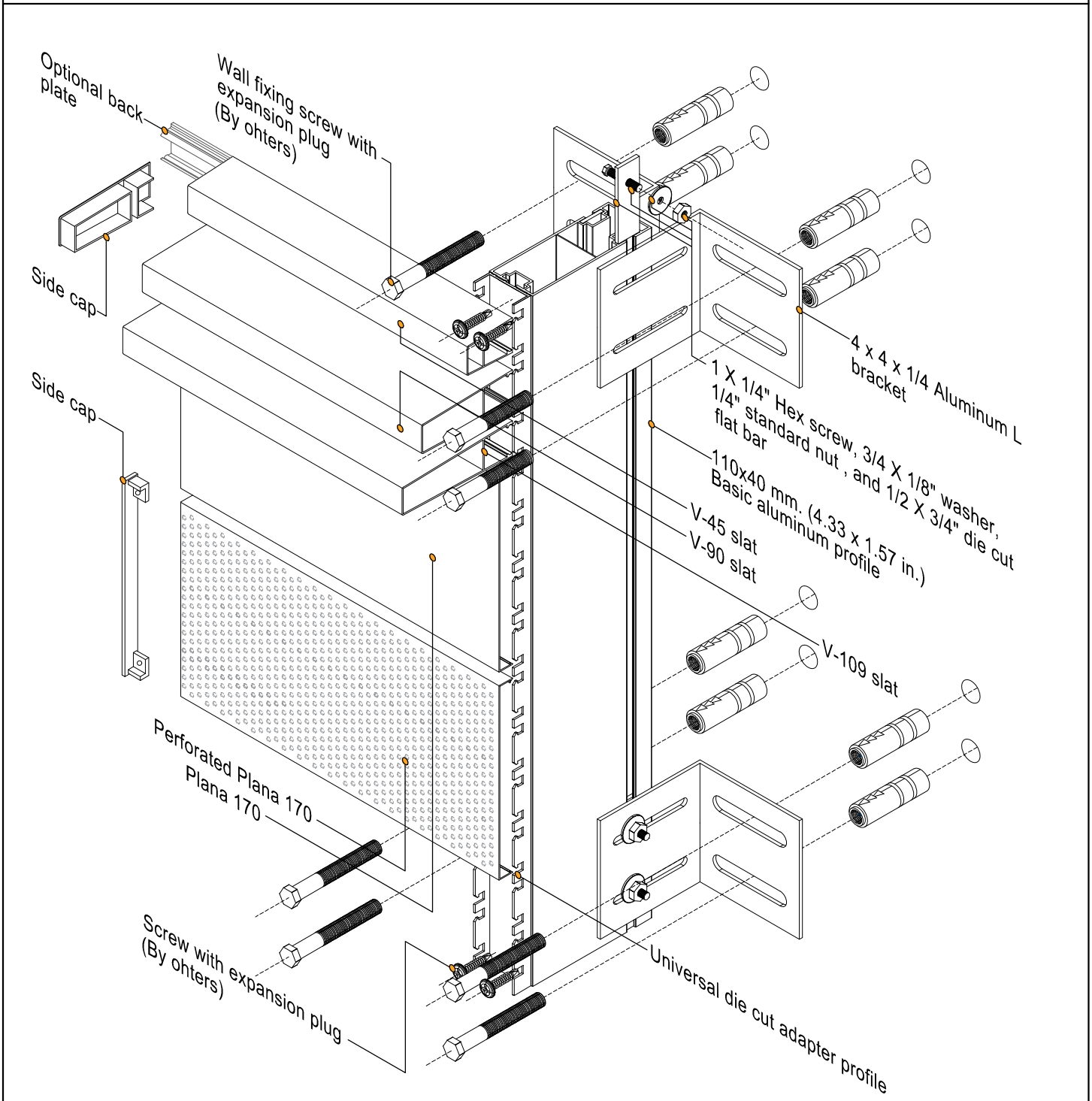
Dimensions: mm. (in.)

 **simple**
architectural[®]
by simpleyfacil

EASYWALL FACADE

ACHORING TO SLABS WITH STRUCTURAL SUPPORT 110 X 40 mm. (4.33X1.57 in.)
 PLANA 170 (PERFORATED AND SMOOTH) IN COMBINATION WITH V SERIES

Page 06-07



Technical department Simpleyfacil®
 Specification workshop
 Project:
 Location:
 Authorization:

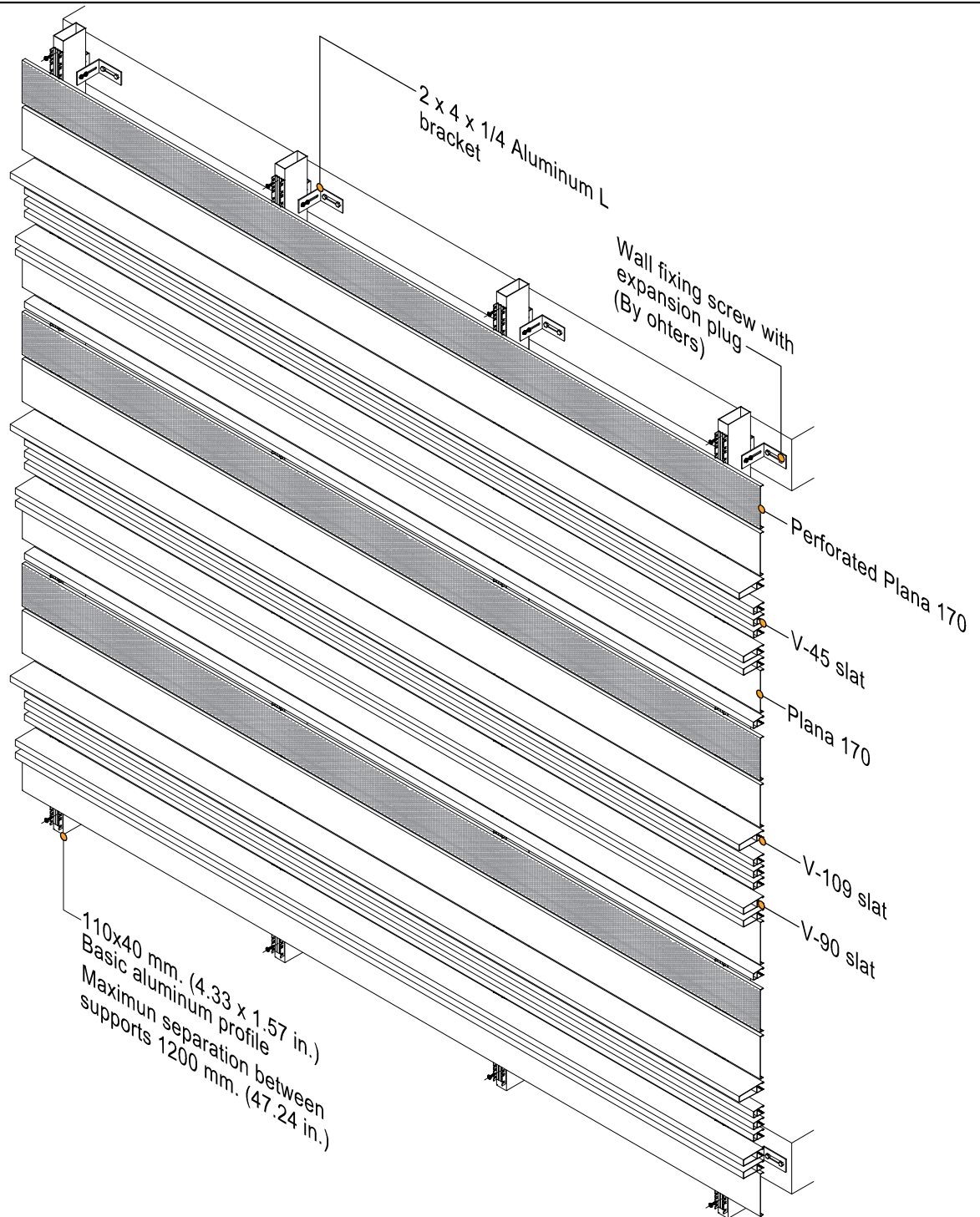
Revision:
 Revision:
 Date: September 2020
 Dimensions: mm. (in.)



EASYWALL FACADE

VENTILATED FACADE PROPOSAL, PLANA 170 (PERFORATED AND SMOOTH)
IN COMBINATION WITH V SERIES

Page 07-07



Technical department Simpleyfacil®
Specification workshop

Project:
Location:
Authorization:

Revision:
Revision:
Date: September 2020
Dimensions: mm. (in.)

 **simple**
architectural
by simpleyfacil