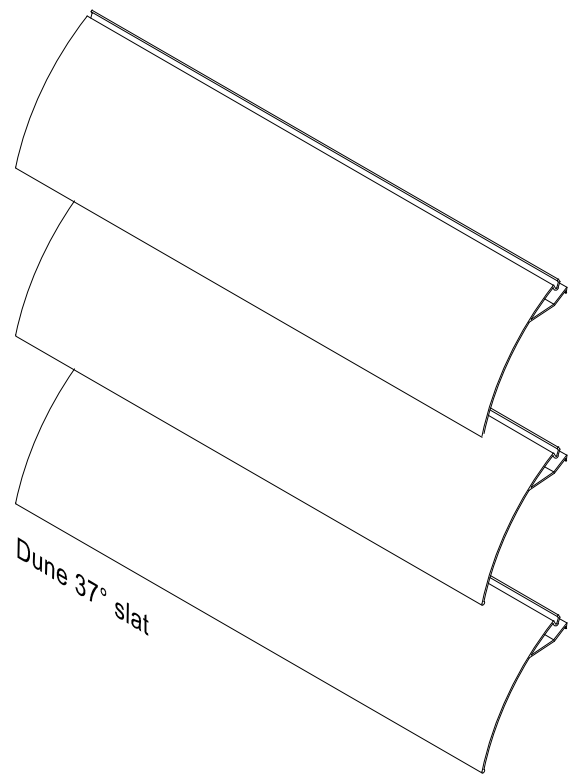
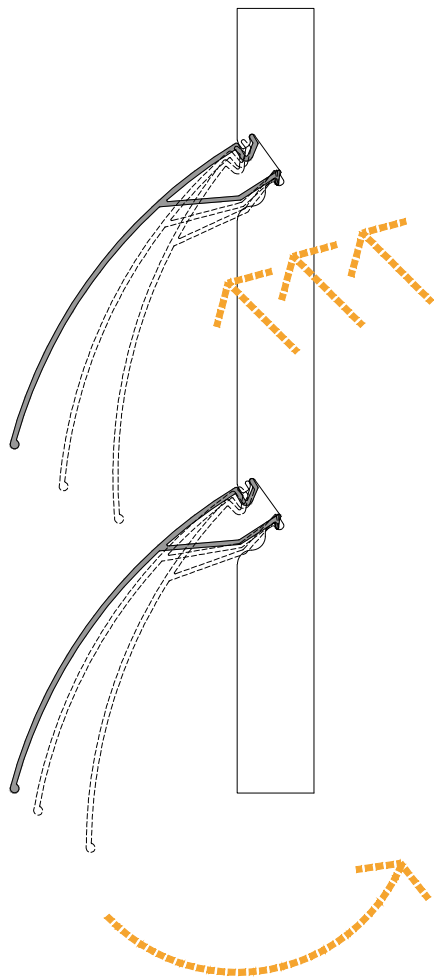


DUNE 37°

SNAP-ON SYSTEM

Page 01-06



Technical department Simpleyfácil®
Specification workshop

Project:
Location:
Authorization:

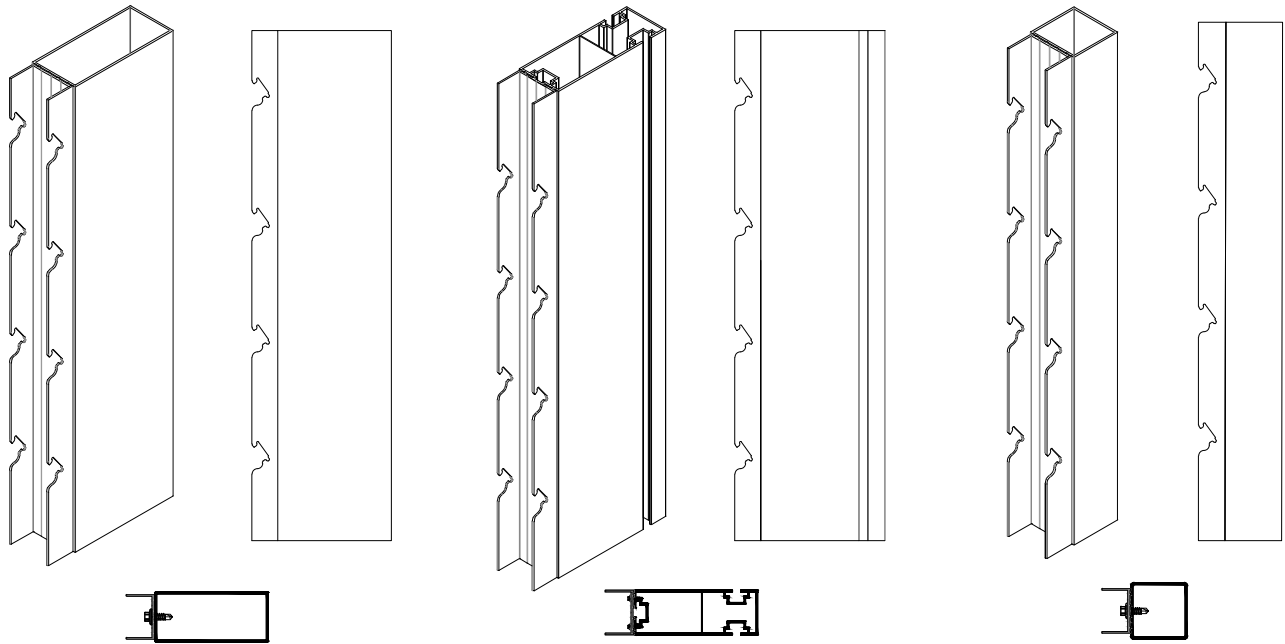
Revision:
Revision:
Date: September 2020
Dimensions: mm. (in.)



DUNE 37°

SELECTION OF SUPPORTS ACCORDING TO THE SEPARATION BETWEEN ANCHORS

Page 02-06



Option **C**
Die cut F1,F2 y F3

Option **D**
Die cut F1,F2 y F3

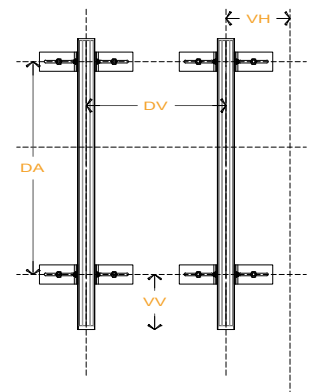
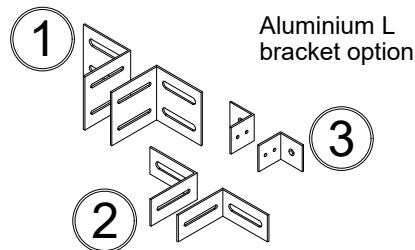
Option **E**
Die cut F1,F2 y F3

Distances for installation of structural supports

Nm Structural support options Maximum distance (DA) Maximum distance (DV)

C	Basic support with adapter profile 100X44 (3.93x1.73 in.)	4000 mm. (157.48 in.)	1300 mm. (51.18 in.)
D	Basic facade support with adapter profile 110X40 (4.33x1.57 in.)	3300 mm. (129.92 in.)	1300 mm.
E	Adapter profile anchored to construction site	>3300 mm.	1300 mm.

- 1 Aluminium L bracket 4 x 4 x 1/4"
- 2 Aluminium L bracket 2 X 4 x 1/4"
- 3 Aluminium L bracket 2 X 2 x 1/4"



Nm Structural support options

- DA Maximum distance between anchors of brackets
- DV Maximum distance between structural supports
- VV Maximum vertical cantilever (support) 500 mm. (19.65 in.)
- VH Maximum horizontal cantilever (slat) 200 mm. (7.87 in.)

Technical department Simpleyfacil®
Specification workshop

Revision:
Revision:

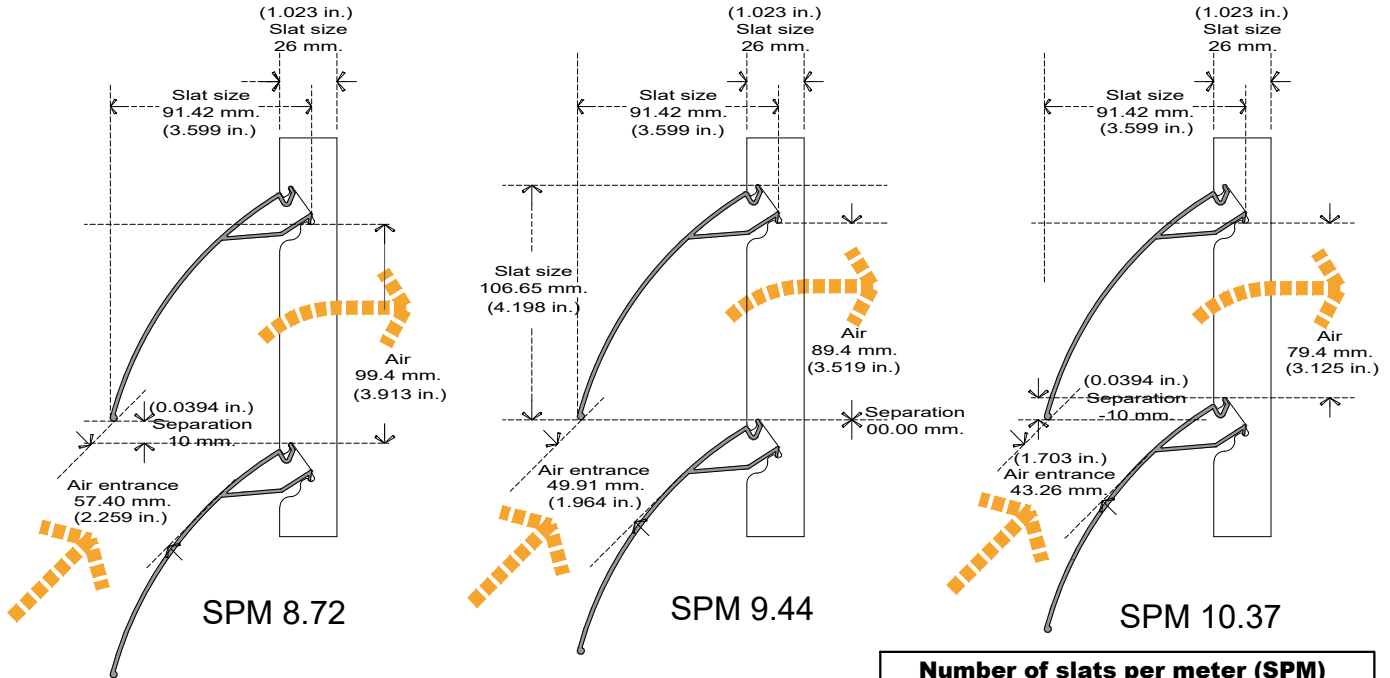
Project:
Location:
Authorization:

Date: September 2020
Dimensions: mm. (in.)

simple
architectural
by simpleyfacil

DUNE 37°

SPECIFICATION PARAMETERS AND TEST



Number of slats per meter (SPM)

	8.72	9.44	10.37
Clearance between slats	10.00 mm. (0.393 in.)	0.00 mm.	(-) 10.00 mm. (0.393 in.)
Free area (%)	45.45%	44.92%	43.27%
Wind load resistance	>249 k/h (5200 Pa)		Category 5
Water infiltration (%)	N.T	2.47%	2.04%
Air pressure drop (K value)	N.T	1.99	1.10
Thermal resistance (R value)	N.T	N.T	0.16
Thermal transmittance (U value)	N.T	N.T	6.33
Emittance according to ASTM C 1371 / Clear anodized an raw aluminium		0.645	
Reflectance according to ASTM C 1549 / Clear anodized and raw aluminium		0.759	
Accelerated aging to ASTM G151 / Clear anodized an raw aluminium		N.T	

Extruded aluminium alloy 6063, tempering T5, post-consumption content 51.60%, pre-consumption content 13.70% Snap-on anchored slats to vertical supports, without screws to avoid risk of oxidation

*N.T: Test not performed



The results of the tests or calculations contemplated in this technical sheet, have the recognition of the Valor Aমেবেক program, endorsed by the Asociación Mexicana de Ventanas y Cerramientos A.C. You can scan the QR code to verify its integrity and validity.

Technical department Simpley fácil®
Specification workshop

Revision:
Revision:

Project:
Location:
Authorization:

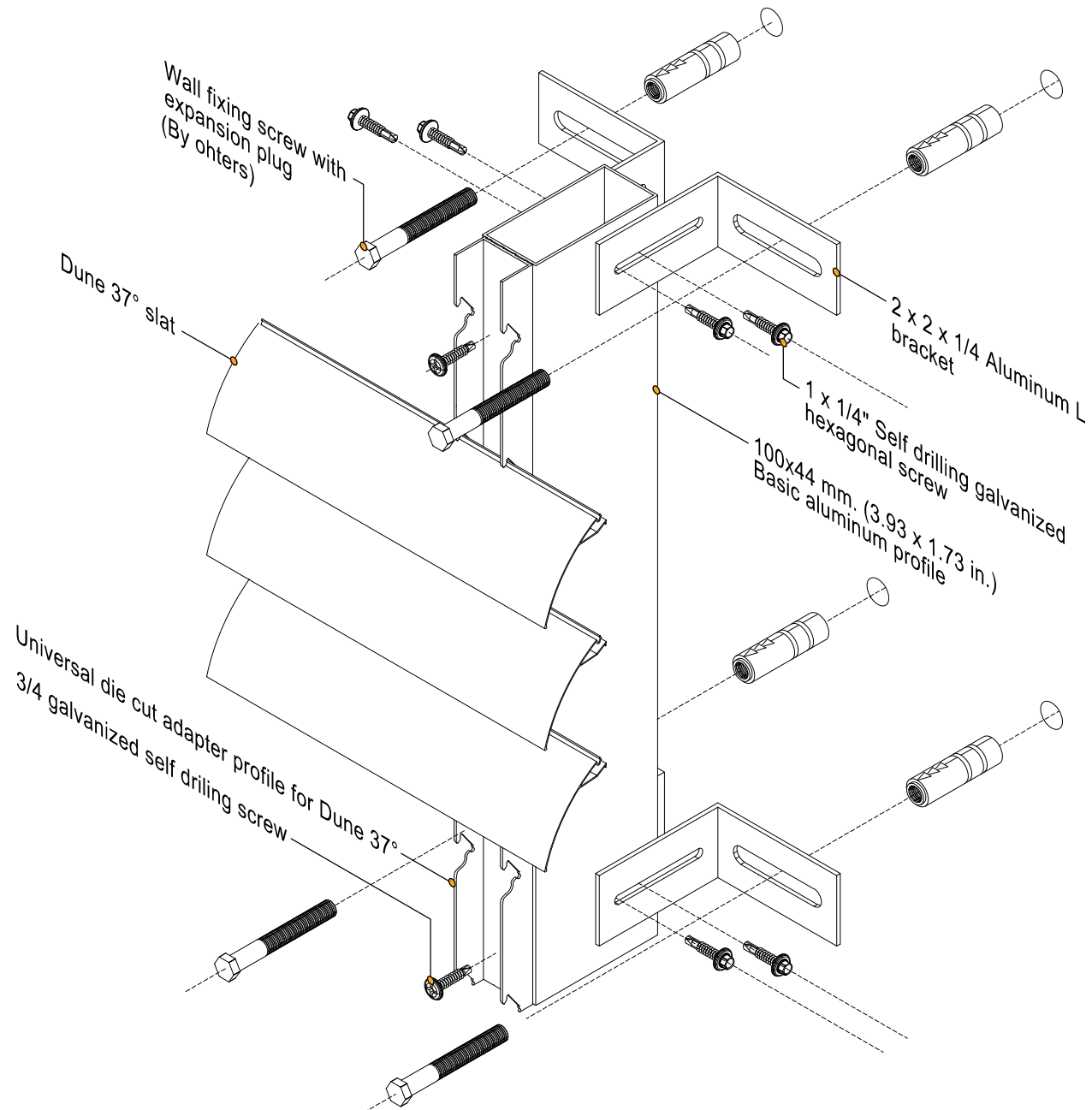
Date: September 2020
Dimensions: mm. (in.)



DUNE 37°

ANCHORING TO SLABS WITH STRUCTURAL SUPPORT 100 X 44 mm. (3.93X1.73 in.)

Page 04-06



Technical department Simpleyfacil®
Specification workshop

Project:
Location:
Authorization:

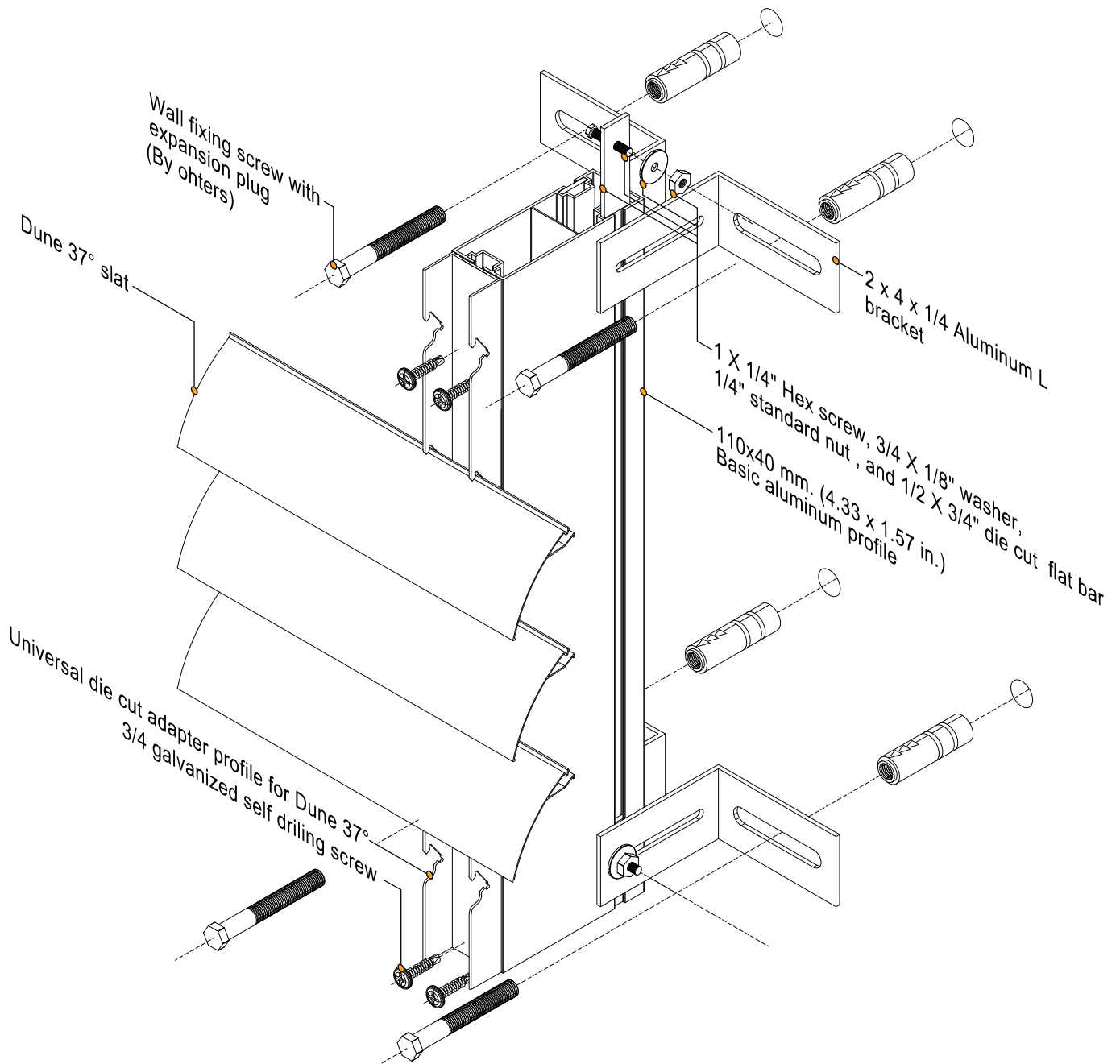
Revision:
Revision:
Date: September 2020
Dimensions: mm. (in.)



DUNE 37°

ANCHORING TO SLABS WITH STRUCTURAL SUPPORT 110 X 40 mm. (4.33X1.57 in.)

Page 05-06



Technical department Simpleyfacil®
Specification workshop

Project:
Location:
Authorization:

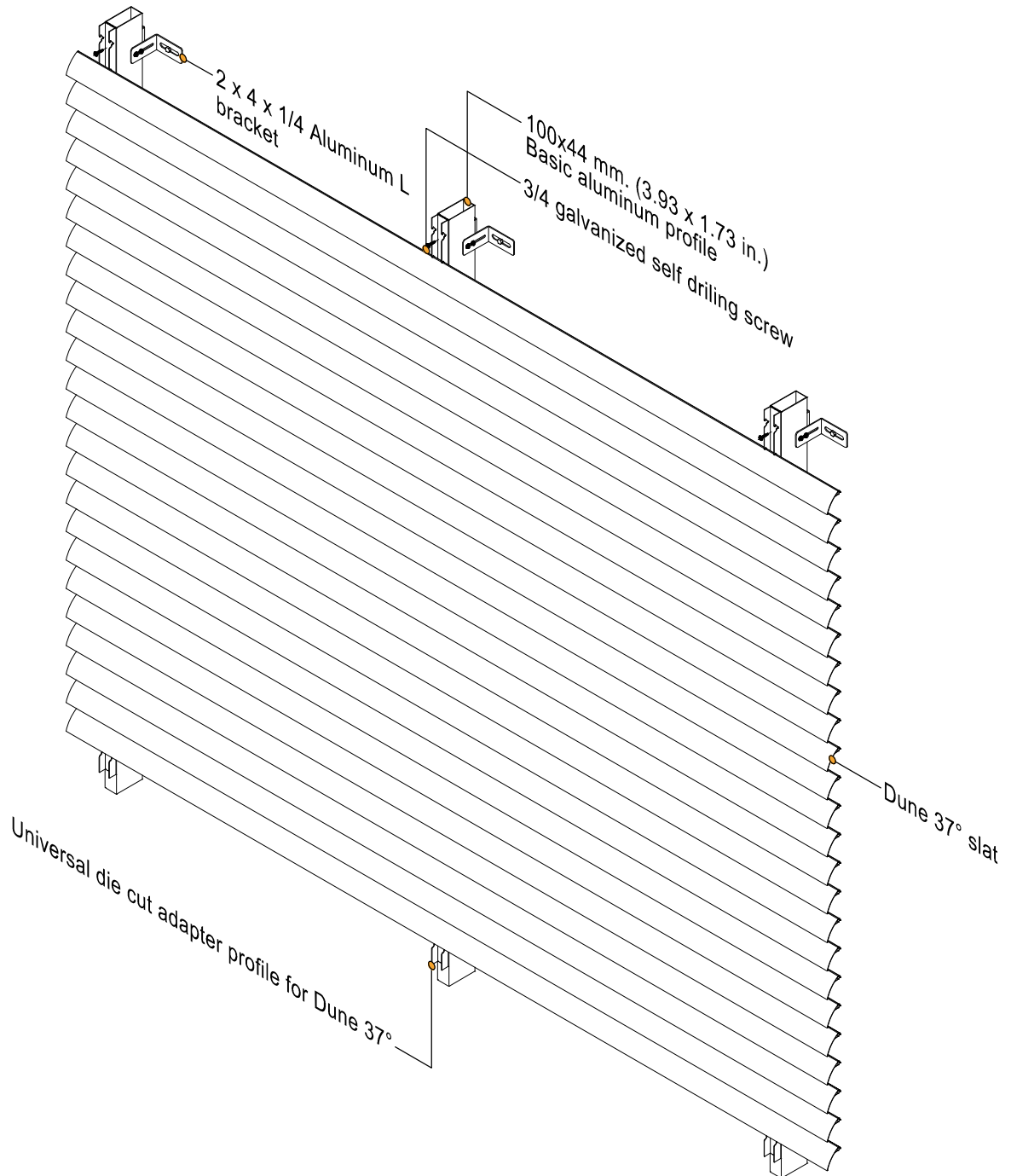
Revision:
Revision:
Date: September 2020
Dimensions: mm. (in.)



DUNE 37°

DYNAMIC VENTILATED FACADE PROPOSAL

Page 06-06



Technical department Simpleyfacil®
Specification workshop

Project:
Location:
Authorization:

Revision:
Revision:
Date: September 2020
Dimensions: mm. (in.)

